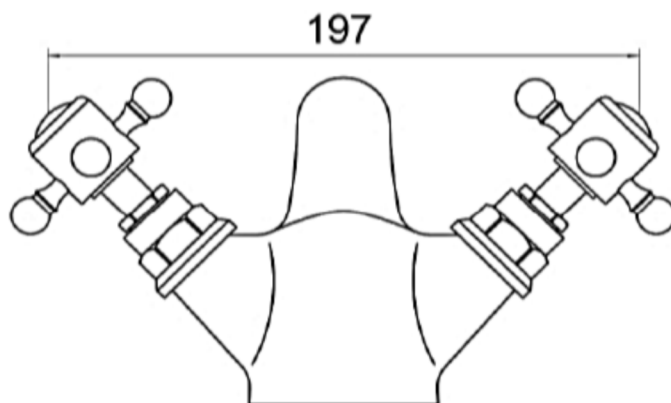
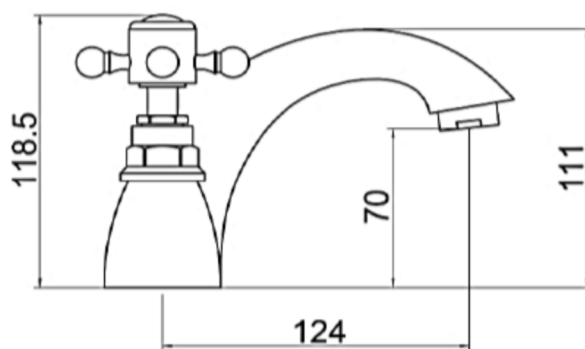


SAGITTARIUS

TAPS & SHOWERING

EDWARDIAN MONO BASIN MIXER CHROME ED/106/C

Construction	Brass Body
Finishes	Chrome plated to BS EN 248
Product Type	Traditional
Water Pressure	Min. 0.2 bar, Max. 6.0 bar
Plumbing Systems	Suitable for all plumbing systems
Standards	Complies with BS5412, BS EN200
Certification	Manufactured to comply with WRAS
Cartridge	Full Turn 1/2" Ceramic Disc Valves
Fitting	M10 x 350mm 1/2" BSP Female Flexi Tails
Packaging	55.5 x 40 x 24.5cm / carton (10 boxes / carton)
Guarantee	10 years against manufacturing faults (excluding serviceable parts).
Additional Information	Supplied with G 1 1/4" sprung waste



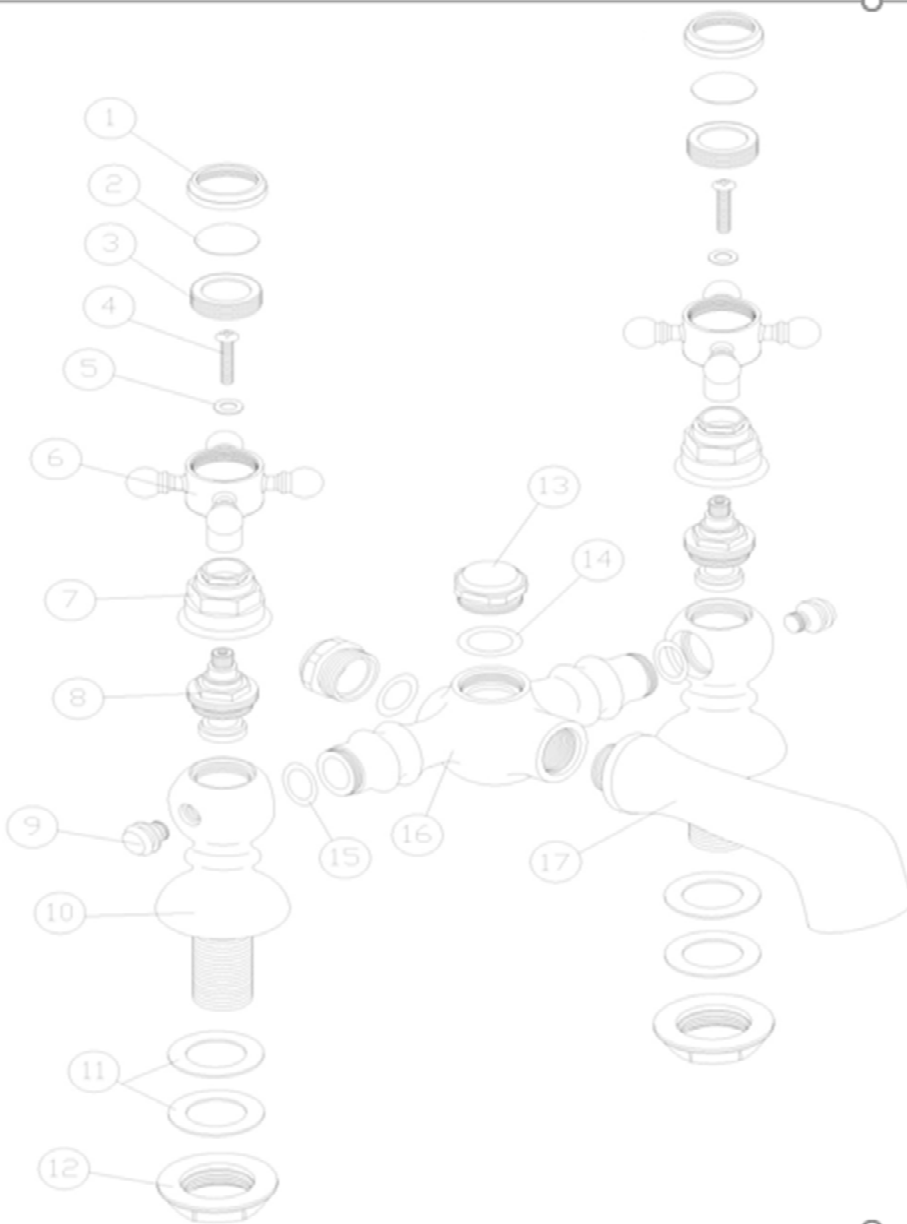
Flow Rates (Litres per minute)

System Pressure	0.1 Bar	0.2 Bar	0.3 Bar	0.5 Bar	1.0 Bar	1.5 Bar	2.0 Bar	3.0 Bar	4.0 Bar	5.0 Bar
ED106	3.10	4.80		8.80	14.00	18.10	22.20	28.50	-	-

The information contained on this page was correct at the date of issue. Fitting dimensions are provided as a guide only. Some variation may occur due to manufacturing tolerances. We pursue a policy of continuing improvement in design and performance of our products and so reserve the right to change specifications without prior notice

FOR FURTHER ADVICE PLEASE CONTACT :-
SAGITTARIUS LTD UNIT 1 LOWER VICTORIA STREET—CHADDERTON—OLDHAM—OL9 9TU TEL:0616 6202029
EMAIL:TECHNICAL@SAGITTARIUSTAPS.CO.UK

Exploded diagram ED/204/C



DESCRIPTION	QTY
COVER	2
INDICE	2
CARTRIDGE COVER	2
M4*25 SCREW	2
10*5.5*0.8 WASHER	2
HANDLE	2
COVER	2
G3/4" CARTRIDGE	2
CONNECOT	2
G3/4" BATH PILLARS	2
3/4" WASHER	4
BACK NUT	2
COVER	2
22*2 "O" RING	2
18*1.5 "O" RING	2
TAP BODY	1
SPOUT	1

The information contained on this page was correct at the date of issue. Fitting dimensions are provided as a guide only. Some variation may occur due to manufacturing tolerances. We pursue a policy of continuing improvement in design and performance of our products and so reserve the right to change specifications without prior notice

FOR FURTHER ADVICE PLEASE CONTACT :-
 SAGITTARIUS LTD UNIT 1 LOWER VICTORIA STREET—CHADDERTON—OLDHAM—OL9 9TU TEL:0616 6202029
 EMAIL:TECHNICAL@SAGITTARIUSTAPS.CO.UK