

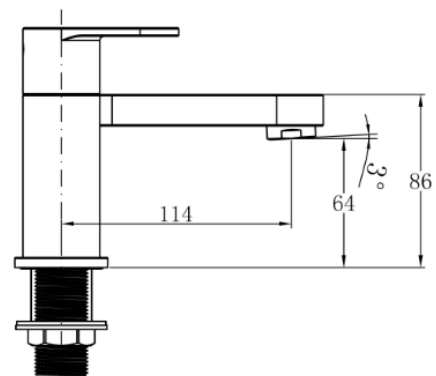
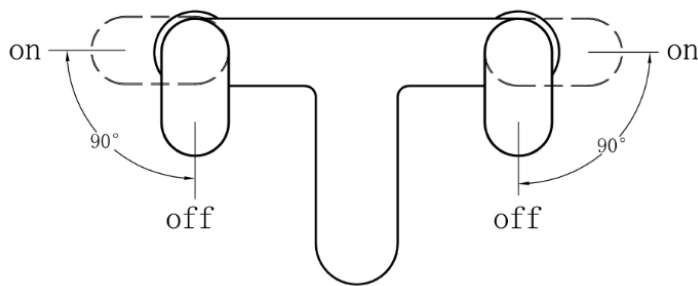
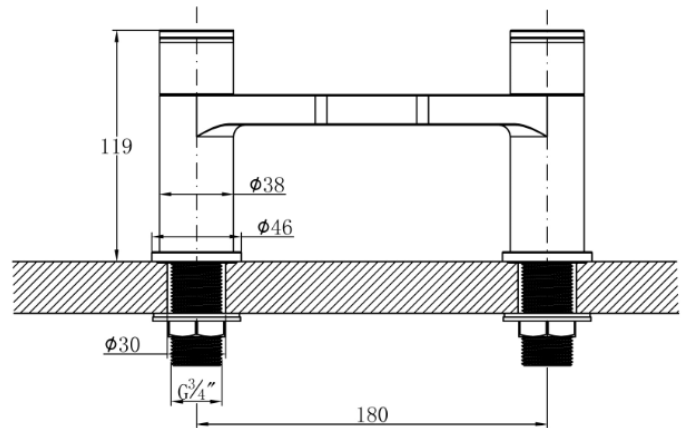
# SAGITTARIUS

## TAPS & SHOWERING

### METRO BATH FILLER CHROME

MT/104/C

<b>Construction</b>	Brass Body CuZn40Pb2, EN CW617N (equivalent to BS CZ122); Zinc alloy handle
<b>Finishes</b>	Chrome plated to BS EN 248
<b>Product Type</b>	Contemporary
<b>Water Pressure</b>	Min. 0.5 bar, Max. 6.0 bar
<b>Plumbing Systems</b>	Suitable for all plumbing systems
<b>Standards</b>	Complies with BS5412, BS EN200
<b>Certification</b>	-
<b>Cartridge</b>	1/4 Turn 3/4" Ceramic Disc Valves
<b>Fitting</b>	Brass 3/4" BSP Tails
<b>Aerator</b>	Aerator spout
<b>Packaging</b>	44.5 x 26 x 33cm
<b>Guarantee</b>	10 years against manufacturing faults (excluding serviceable parts).



### Flow Rates (Litres per minute)

System Pressure	0.1 Bar	0.2 Bar	0.3 Bar	0.5 Bar	1.0 Bar	1.5 Bar	2.0 Bar	3.0 Bar	4.0 Bar	5.0 Bar
<b>MT104</b>	3.4	6.0	-	11.9	17.7	21.5	27.0	34.9	-	-

The information contained on this page was correct at the date of issue. Fitting dimensions are provided as a guide only. Some variation may occur due to manufacturing tolerances. We pursue a policy of continuing improvement in design and performance of our products and so reserve the right to change specifications without prior notice

FOR FURTHER ADVICE PLEASE CONTACT :-

SAGITTARIUS LTD UNIT 1 LOWER VICTORIA STREET—CHADDERTON—OLDHAM—OL9 9TU TEL:0616 6202029

EMAIL:TECHNICAL@SAGITTARIUSTAPS.CO.UK