

# SAGITTARIUS

## TAPS & SHOWERING

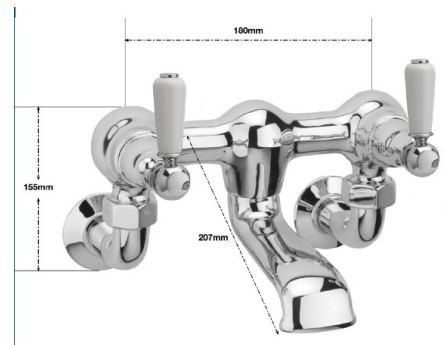
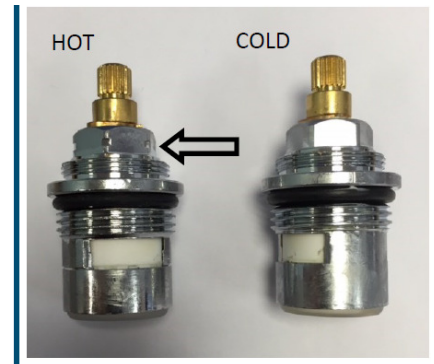
**Construction** Brass  
**Dimensions** 180mm X 207mm  
**Working pressure** HP/LP/COMBI  
**Parts** Ceramic Lever  
 Lever Handles  
 Cold valve 22mm Ceramic disc quarter turn  
 Hot Valve 22mm Ceramic disc quarter turn  
 Heads, collars 3/4 inch,  
 chrome elbow union nut 25mm  
 Bath/Wall mounted shrouds , plastic back nut 22mm  
 Seating washer 22mm, Under tap seating O ring,  
 cranked legs elbows.

### KENSINGTON LEVER DELUXE WALL MOUNTED B/F KL/304/C

#### List of Components

TAP

KE WALL ELBOW X2



0.2 bar	0.3bar	0.5 bar	1 bar	3 bar
4.5	7	9.5	11.5	17

0.2 bar	0.3bar	0.5 bar	1 bar	3 bar
4.5	7	9	10.5	16

0.2 bar	0.3bar	0.5 bar	1 bar	3 bar
10	16	20	26	32

The information contained on this page was correct at the date of issue. Fitting dimensions are provided as a guide only. Some variation may occur due to manufacturing tolerances. We pursue a policy of continuing improvement in design and performance of our products and so reserve the right to change specifications without prior notice

FOR FURTHER ADVICE PLEASE CONTACT :-  
 SAGITTARIUS LTD UNIT 1 LOWER VICTORIA STREET—CHADDERTON—OLDHAM—OL9 9TU TEL:0616 6202029  
 EMAIL:TECHNICAL@SAGITTARIUSTAPS.CO.UK