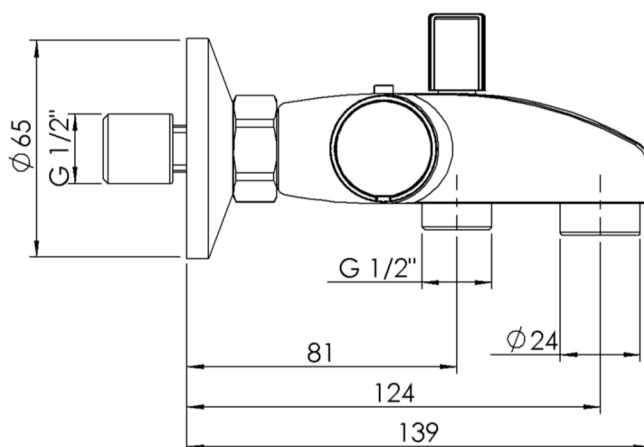
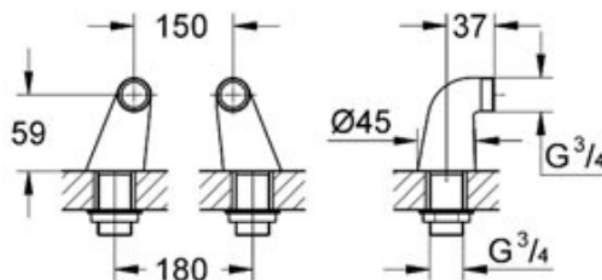
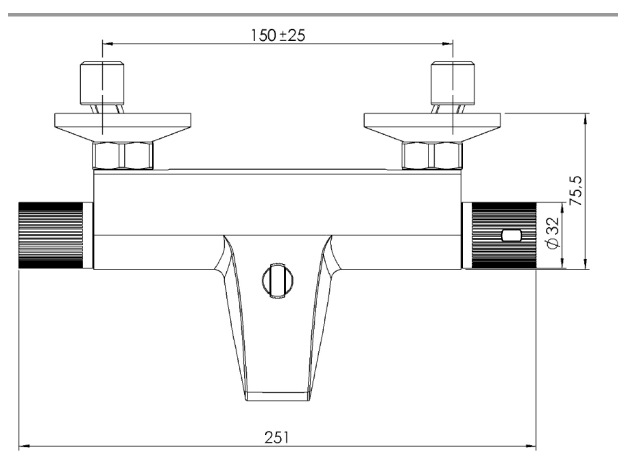


# SAGITTARIUS

## TAPS & SHOWERING

VENICE DECK MOUNTED  
THERMO BSM CHROME  
SH/379/C



The information contained on this page was correct at the date of issue. Fitting dimensions are provided as a guide only. Some variation may occur due to manufacturing tolerances. We pursue a policy of continuing improvement in design and performance of our products and so reserve the right to change specifications without prior notice

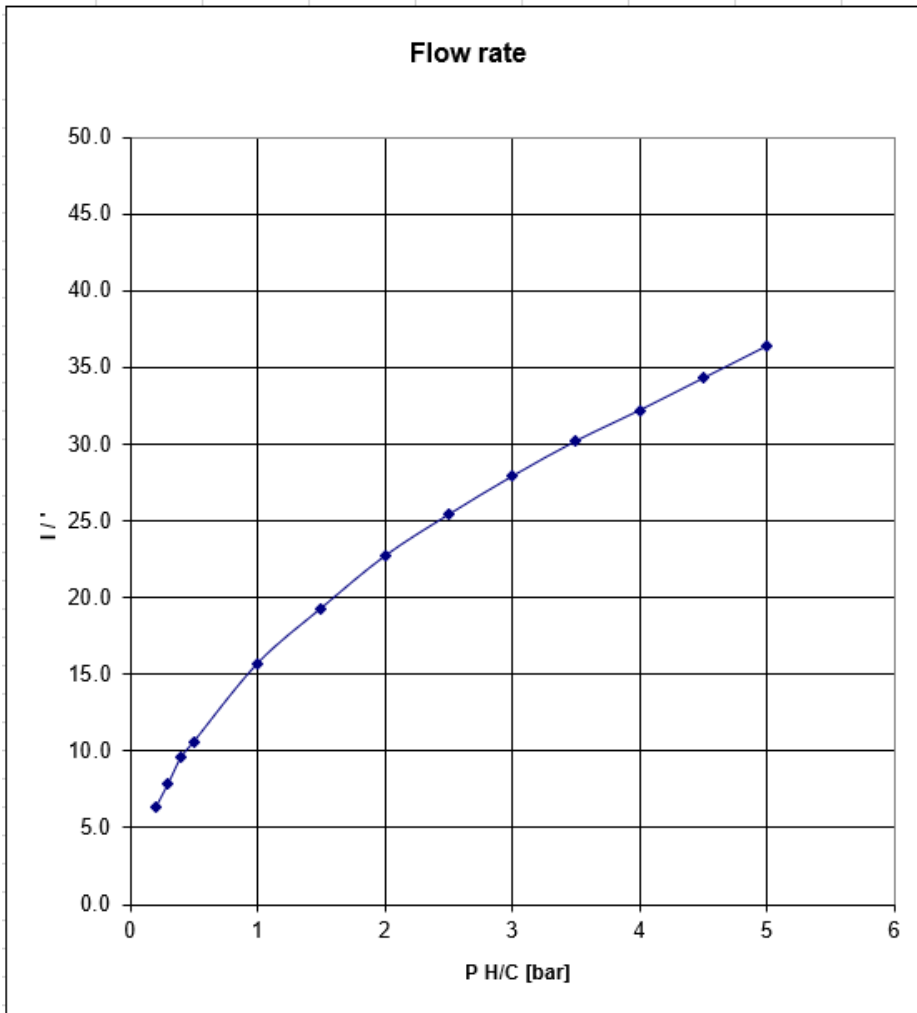
FOR FURTHER ADVICE PLEASE CONTACT :-

SAGITTARIUS LTD UNIT 1 LOWER VICTORIA STREET—CHADDERTON—OLDHAM—OL9 9TU TEL:0616 6202029

EMAIL:TECHNICAL@SAGITTARIUSTAPS.CO.UK

N°	P Hot/cold [bar]	V'
1	0.1	
2	0.2	6.3
3	0.3	7.9
4	0.4	9.6
5	0.5	10.6
6	1	15.7
7	1.5	19.3
8	2	22.7
9	2.5	25.4
10	3	27.9
11	3.5	30.2
12	4	32.2
13	4.5	34.3
14	5	36.4

T hot water	63 °C	±3°
T cold water	10÷15°C	
MIX temp.	38°C	
<b>Bath/shower mixer</b>		



The information contained on this page was correct at the date of issue. Fitting dimensions are provided as a guide only. Some variation may occur due to manufacturing tolerances. We pursue a policy of continuing improvement in design and performance of our products and so reserve the right to change specifications without prior notice

FOR FURTHER ADVICE PLEASE CONTACT :-  
 SAGITTARIUS LTD UNIT 1 LOWER VICTORIA STREET—CHADDERTON—OLDHAM—OL9 9TU TEL:0616 6202029  
 EMAIL:TECHNICAL@SAGITTARIUSTAPS.CO.UK