

# SAGITTARIUS

## TAPS & SHOWERING

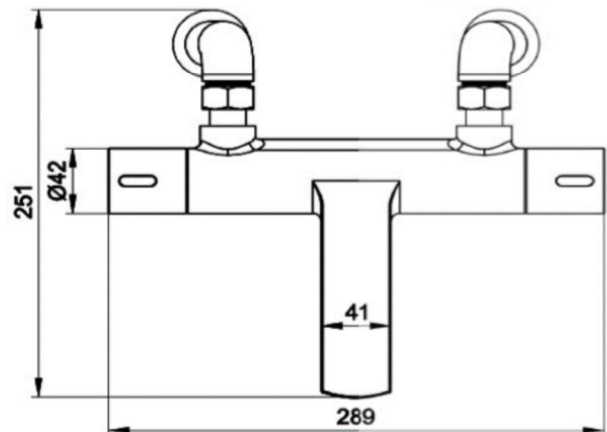
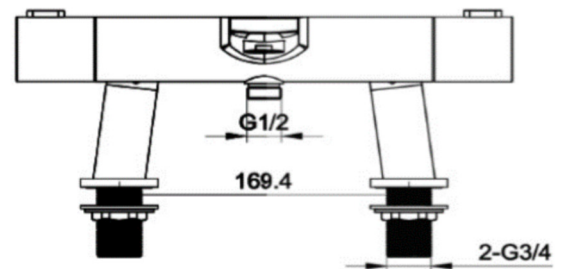
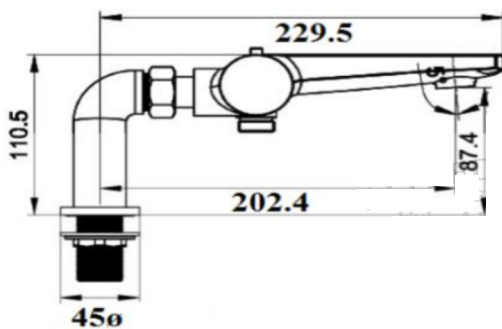
<b>Construction</b>	Brass Body CuZn40Pb2, EN CW617N (equivalent to BS CZ122) Zinc alloy Handle
<b>Finishes</b>	Chrome : Ni : 8-12um, Cr : 0.25-0.3um
<b>Product Type</b>	Contemporary
<b>Water Pressure</b>	Min.0.5 bar, Max. 6.0 bar
<b>Plumbing Systems</b>	Suitable for all plumbing systems
<b>Standards</b>	Complies with BS5412, BS EN200
<b>Certification</b>	-
<b>Cartridge</b>	-
<b>Check valve</b>	Thermostatic, Integrate diverter ceramic valve
<b>Aerator</b>	Spout Aerator
<b>Fitting</b>	3/4" BSP deck mounted pillars
<b>Packaging</b>	
<b>Guarantee</b>	

BARI DECK MOUNTED

THERMOS MIXER CHROME

BA/198/C

- Additional Information**
1. Temperature : Pre-set 38°C, with push button override to 48°C.
  2. Automatic shut off in the event of hot or cold water supply failure.

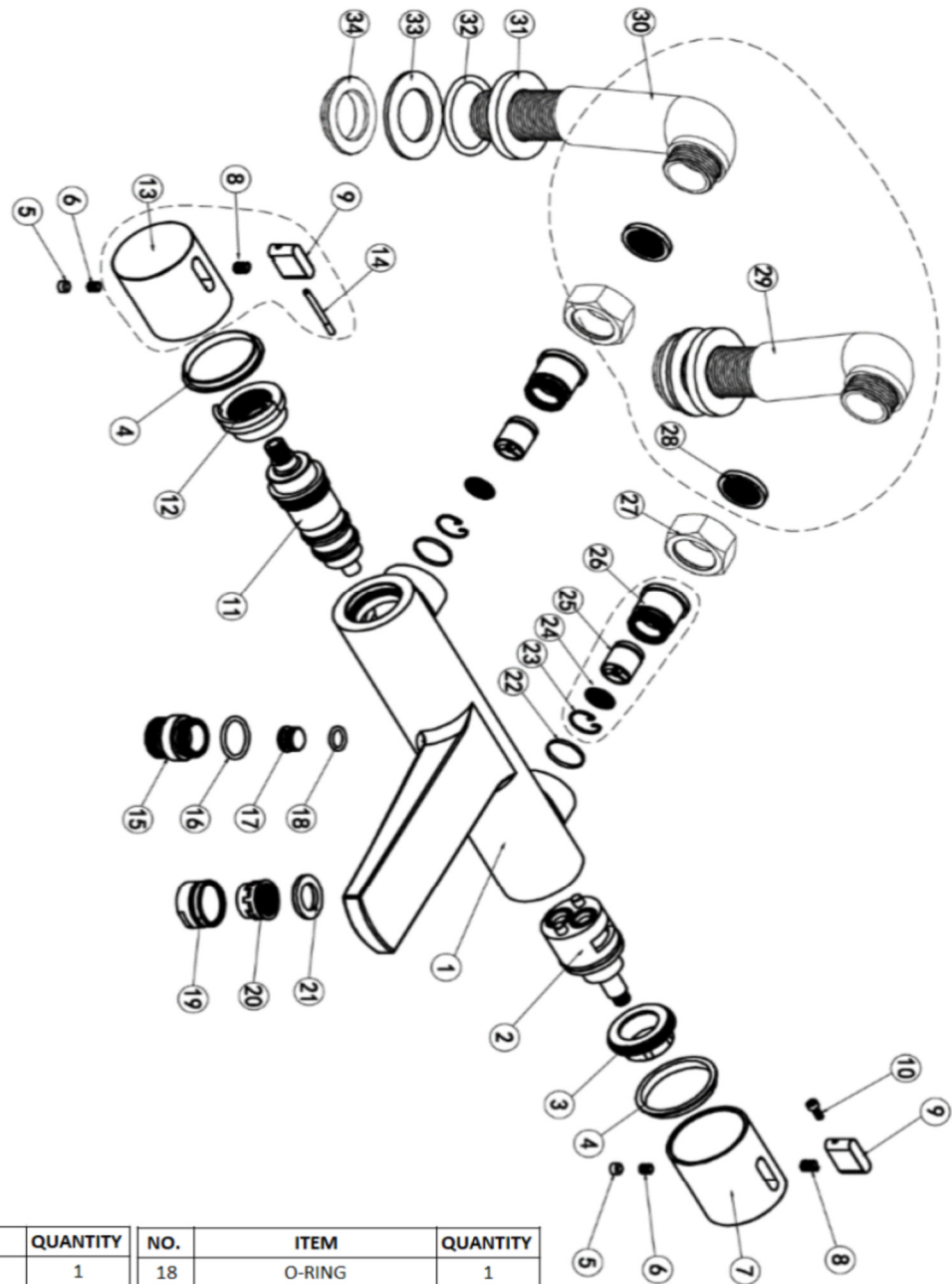


### Flow Rates (Litres per minute)

System Pressure	0.1 Bar	0.2 Bar	0.3 Bar	0.5 Bar	1.0 Bar	1.5 Bar	2.0 Bar	3.0 Bar	4.0 Bar	5.0 Bar
BA/198/C	3.8	5.5	6.7	8.5	12.0	14.7	17.0	20.8	24.0	26.4

The information contained on this page was correct at the date of issue. Fitting dimensions are provided as a guide only. Some variation may occur due to manufacturing tolerances. We pursue a policy of continuing improvement in design and performance of our products and so reserve the right to change specifications without prior notice

FOR FURTHER ADVICE PLEASE CONTACT :-  
 SAGITTARIUS LTD UNIT 1 LOWER VICTORIA STREET—CHADDERTON—OLDHAM—OL9 9TU TEL:0616 6202029  
 EMAIL:TECHNICAL@SAGITTARIUSTAPS.CO.UK



NO.	ITEM	QUANTITY	NO.	ITEM	QUANTITY
1	VALVE BODY	1	18	O-RING	1
2	ON/OFF CARTRIDGE	1	19	AERATOR CASING	1
3	CARTRIDGE NUT	1	20	AERATOR	1
4	CARTRIDGE WASHER	2	21	WASHER	1
5	COVER CAP	2	22	O-RING	2
6	GRUB SCREW	2	23	CIRCLIP	2
7	ON/OFF HANDLE	1	24	FILTER WASHER	2
8	SPRING	2	25	CHECK VALVE	2
9	PUSH BUTTON	2	26	CONNECTOR	2
10	SCREW	1	27	LOCK NUT	2
11	THERMO CARTRIDGE	1	28	FILTER WASHER	2
12	STOP RING	1	29	RIGHT ELBOW	1
13	THERMO HANDLE	1	30	LEFT ELBOW	1
14	PUSH BUTTON PIN	1	31	BASE PLATE	2
15	G 1/2" CONNECTOR	1	32	O-RING	2
16	O-RING	1	33	WASHER	2
17	G 1/2" CONNECTOR	1	34	LOCK NUT	2

The information contained on this page was correct at the date of issue. Fitting dimensions are provided as a guide only. Some variation may occur due to manufacturing tolerances. We pursue a policy of continuing improvement in design and performance of our products and so reserve the right to change specifications without prior notice

FOR FURTHER ADVICE PLEASE CONTACT :-  
 SAGITTARIUS LTD UNIT 1 LOWER VICTORIA STREET—CHADDERTON—OLDHAM—OL9 9TU TEL:0616 6202029  
 EMAIL:TECHNICAL@SAGITTARIUSTAPS.CO.UK