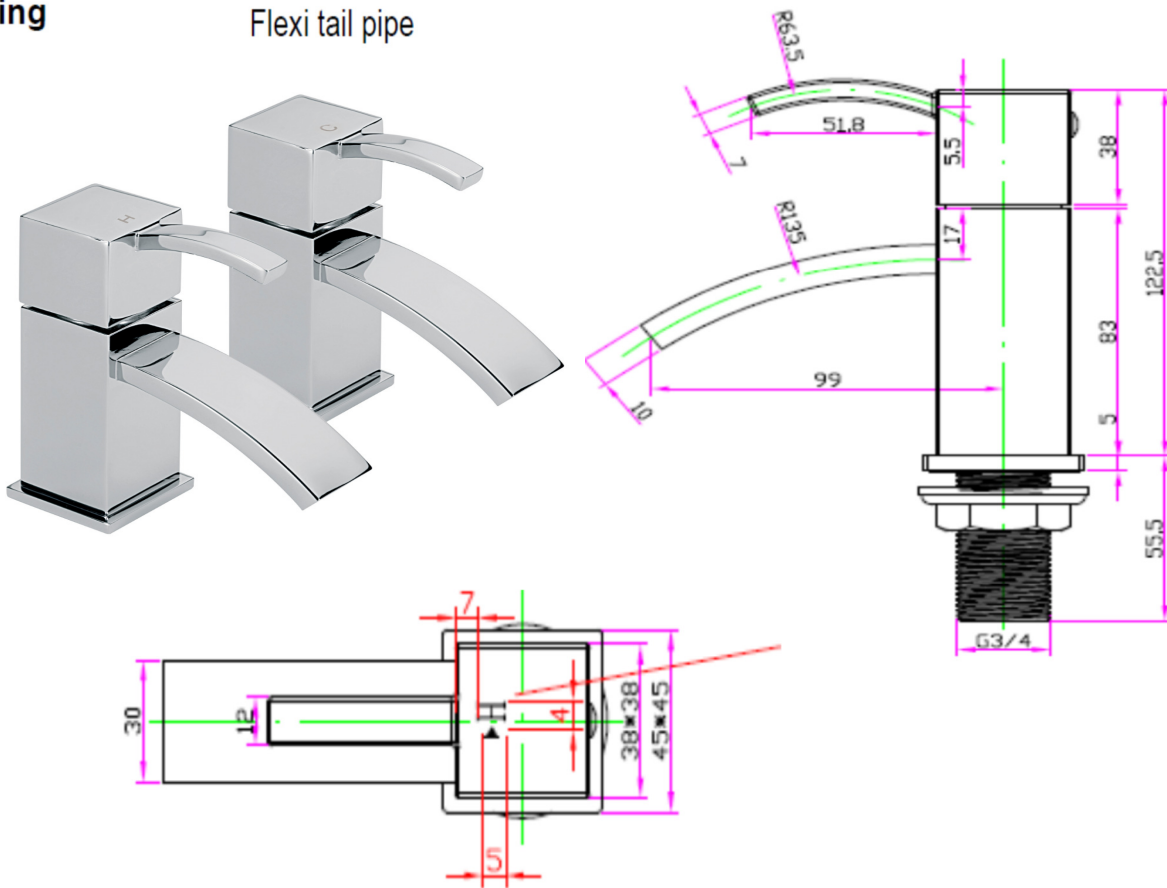


SAGITTARIUS

TAPS & SHOWERING

| | |
|-------------------------|-----------------------------------|
| Construction | Brass Body (CuZn40Pb18) |
| Finishes | Chrome plated to BS EN 248 |
| Product Type | Contemporary |
| Water Pressure | Min. 0.2 bar, Max. 6.0 bar |
| Plumbing Systems | Suitable for all plumbing systems |
| Standards | Complies with BS5412, BS EN200 |
| Certification | Manufactured to comply with WRAS |
| Fitting | Flexi tail pipe |

ARKE BATH TAPS CHROME
AR/102/C



Flow Rates (Litres per minute)

| Bar | 0.1 | 0.2 | 0.3 | 0.4 | 0.5 | 1 | 1.5 | 2 | 2.5 | 3 | 4 | 5 |
|-------|-----|------|-------|------|-------|-------|-------|-------|-----|-------|-------|-------|
| AR102 | 12 | 16.8 | 20.04 | 24.3 | 27.71 | 38.42 | 47.06 | 54.34 | | 66.55 | 76.84 | 85.91 |

The information contained on this page was correct at the date of issue. Fitting dimensions are provided as a guide only. Some variation may occur due to manufacturing tolerances. We pursue a policy of continuing improvement in design and performance of our products and so reserve the right to change specifications without prior notice

FOR FURTHER ADVICE PLEASE CONTACT :-

SAGITTARIUS LTD UNIT 1 LOWER VICTORIA STREET—CHADDERTON—OLDHAM—OL9 9TU TEL:0616 6202029

EMAIL:TECHNICAL@SAGITTARIUSTAPS.CO.UK