

# SAGITTARIUS

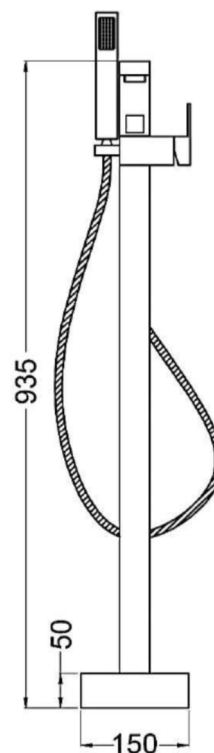
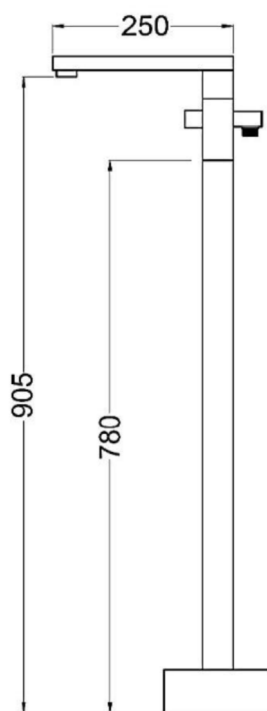
## TAPS & SHOWERING

BLADE FLOOR MOUNTED

BSM CHROME

BL/214/C

<b>Construction</b>	Brass Body CuZn40Pb2, EN CW617N (equivalent to BS CZ122)
<b>Finishes</b>	Chrome plated to BS EN 248
<b>Product Type</b>	Contemporary
<b>Water Pressure</b>	Min. 0.5 bar, Max. 6.0 bar
<b>Plumbing Systems</b>	Suitable for all plumbing systems
<b>Standards</b>	Complies with BS5412, BS EN200
<b>Certification</b>	Manufactured to comply with WRAS
<b>Cartridge</b>	35mm ceramic disc cartridge
<b>Fitting</b>	M12 x 3/4" BSP Female Flexi Tails
<b>Packaging</b>	85 x 32 x 57cm / carton (3 boxes / carton)
<b>Guarantee</b>	10 years against manufacturing faults (excluding serviceable parts).
<b>Additional Information</b>	Supplied with PVC 1.5m hose and single mode ABS chrome handset



### Flow Rates (Litres per minute)

System Pressure	0.1 Bar	0.2 Bar	0.3 Bar	0.5 Bar	1.0 Bar	1.5 Bar	2.0 Bar	3.0 Bar	4.0 Bar	5.0 Bar
<b>BL214</b>	3.0	5.2		7.3	10.4		15.0	18.5	-	-

The information contained on this page was correct at the date of issue. Fitting dimensions are provided as a guide only. Some variation may occur due to manufacturing tolerances. We pursue a policy of continuing improvement in design and performance of our products and so reserve the right to change specifications without prior notice

FOR FURTHER ADVICE PLEASE CONTACT :-

SAGITTARIUS LTD UNIT 1 LOWER VICTORIA STREET—CHADDERTON—OLDHAM—OL9 9TU TEL:0616 6202029

EMAIL:TECHNICAL@SAGITTARIUSTAPS.CO.UK

## Maintenance and clean:

After use all finishes should be maintained by wiping with a soft, damp, clean cloth and then polished using a soft dry duster. No abrasive powder, detergents or polishes should be used, cleansers containing alcohol, acid or corrosive chemicals should NOT be used.

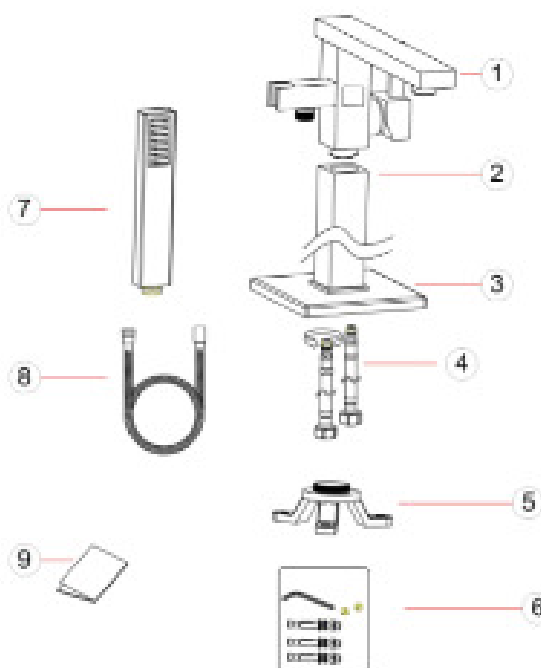
## Notes:

1. Turn on the water supplies, and check all connections for leaks after fixed.

2. Lift the handle up/down to switch it on/off, The higher you rise the lever, the bigger the water-flow. Reduce the water-flow by lowering the handle until switched off. Turning left/right to increase/decrease the water temperature.

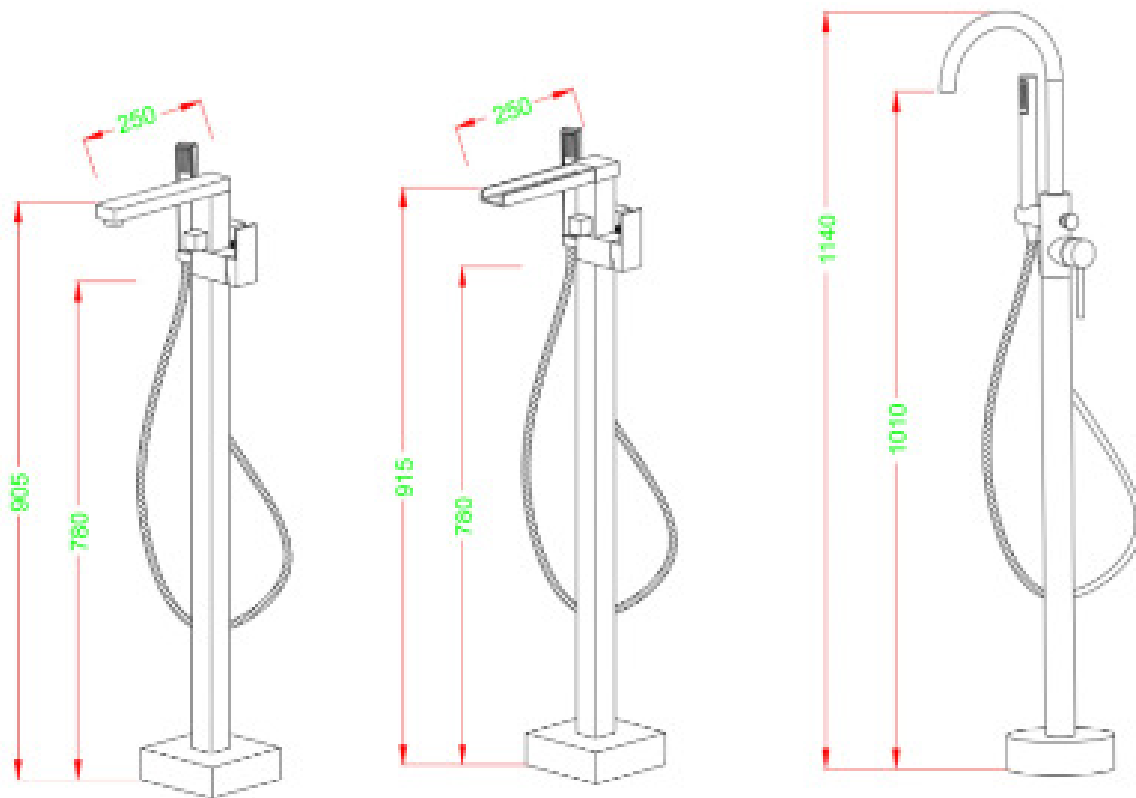
Refer to the check-list below, identify all components and check for completeness. If any discrepancy, please report to your local supplier as soon as possible:

No	Description	Quantity
1	Body	1
2	Leg	1
3	Base plate	1
4	Flexi tail	1
5	Floor anchor	1
6	Accessories	1
7	Handset shower head	1
8	Hose	1
9	Instructions	1



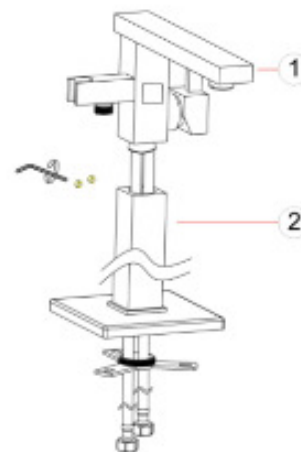
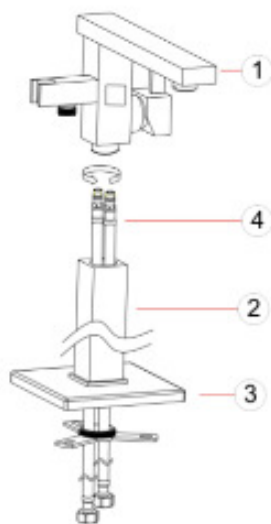
The information contained on this page was correct at the date of issue. Fitting dimensions are provided as a guide only. Some variation may occur due to manufacturing tolerances. We pursue a policy of continuing improvement in design and performance of our products and so reserve the right to change specifications without prior notice

FOR FURTHER ADVICE PLEASE CONTACT :-  
SAGITTARIUS LTD UNIT 1 LOWER VICTORIA STREET—CHADDERTON—OLDHAM—OL9 9TU TEL:0616 6202029  
EMAIL:TECHNICAL@SAGITTARIUSTAPS.CO.UK



1. Refer to the diagram, put the Flexi tails through the Floor anchor/base plate and the leg, then connect to the body (inlet connections).

2. Screw the body to the leg.



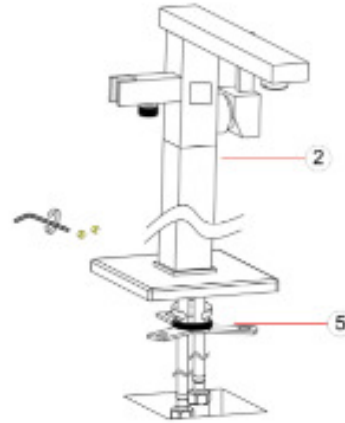
The information contained on this page was correct at the date of issue. Fitting dimensions are provided as a guide only. Some variation may occur due to manufacturing tolerances. We pursue a policy of continuing improvement in design and performance of our products and so reserve the right to change specifications without prior notice

FOR FURTHER ADVICE PLEASE CONTACT :-  
 SAGITTARIUS LTD UNIT 1 LOWER VICTORIA STREET—CHADDERTON—OLDHAM—OL9 9TU TEL:0616 6202029  
 EMAIL:TECHNICAL@SAGITTARIUSTAPS.CO.UK

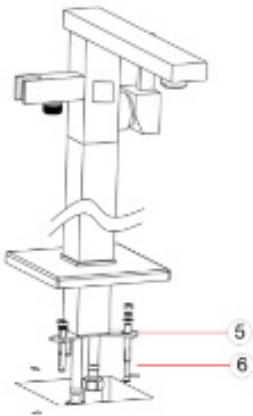
3. Connect the Flexi tails to the main water supplies.



4. Screw the leg to the Floor anchor (with base plate on).



5. Screw the floor anchor to floor and fix it.



6. Connect the hose pipe to both ends of Shower-head and the Body.



The information contained on this page was correct at the date of issue. Fitting dimensions are provided as a guide only. Some variation may occur due to manufacturing tolerances. We pursue a policy of continuing improvement in design and performance of our products and so reserve the right to change specifications without prior notice

FOR FURTHER ADVICE PLEASE CONTACT :-  
SAGITTARIUS LTD UNIT 1 LOWER VICTORIA STREET—CHADDERTON—OLDHAM—OL9 9TU TEL:0616 6202029  
EMAIL:TECHNICAL@SAGITTARIUSTAPS.CO.UK