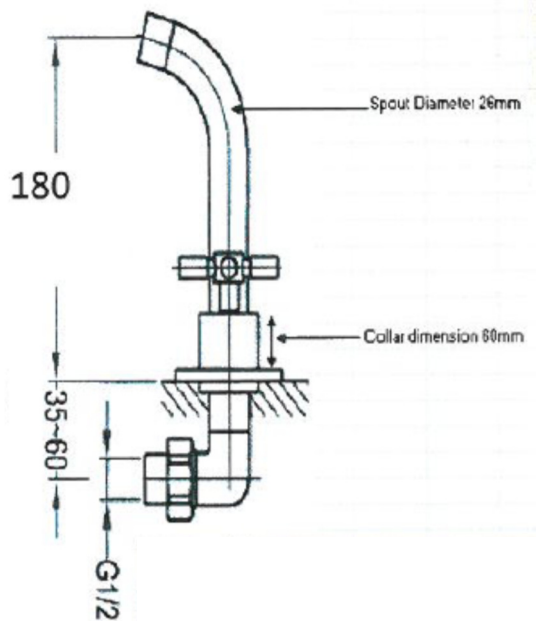
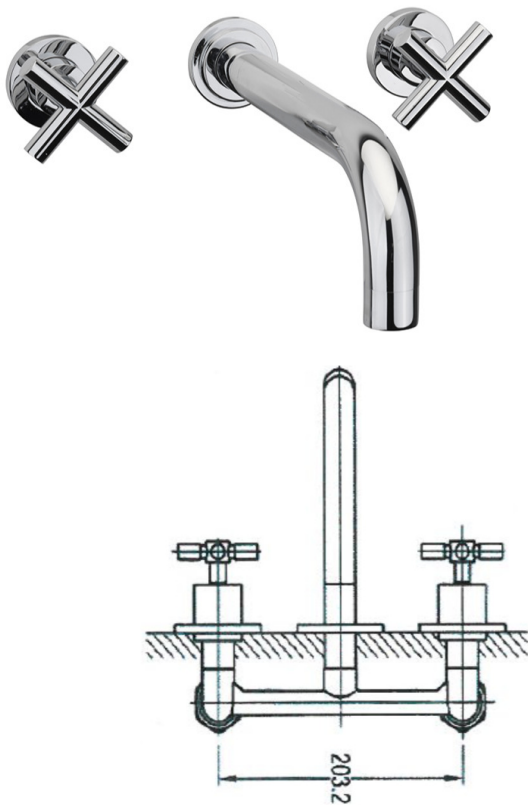


SAGITTARIUS

TAPS & SHOWERING

Core material : Brass bar (CuZn38Pb2), forged brass (CuZn38Pb2) & brass tube (CuZn37)
Design standard : BS EN 200 Sanitary tapware - General technical specification
Handle : Zinc alloy
Finishing : Chrome plated to BS EN 248 (nickel plating 8-10 um & chromium plating 0.2-0.25um)
Cartridge: 1/4 turn 1/2" ceramic disc valve
Fitting : 15mm BSP
Connecting hoses: -
Aerator : Air Aerator
Approval : CE
Packaging : PE laminated foam + packaging

AVANT 3 HOLE WALL MOUNTED BATH FILLER AV/127/C



The information contained on this page was correct at the date of issue. Fitting dimensions are provided as a guide only. Some variation may occur due to manufacturing tolerances. We pursue a policy of continuing improvement in design and performance of our products and so reserve the right to change specifications without prior notice

FOR FURTHER ADVICE PLEASE CONTACT :-
SAGITTARIUS LTD UNIT 1 LOWER VICTORIA STREET—CHADDERTON—OLDHAM—OL9 9TU TEL:0616 6202029
EMAIL:TECHNICAL@SAGITTARIUSTAPS.CO.UK