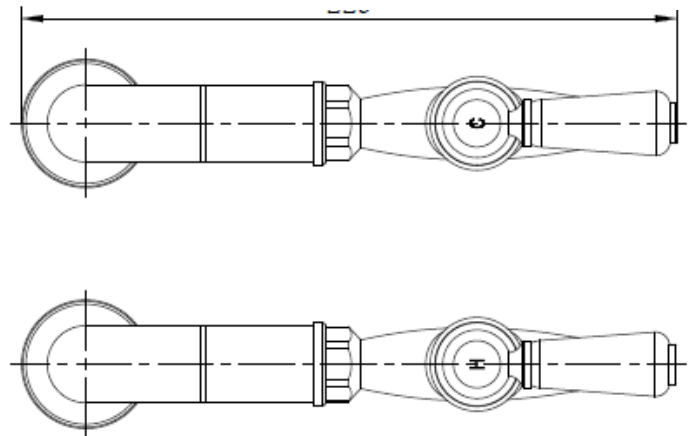
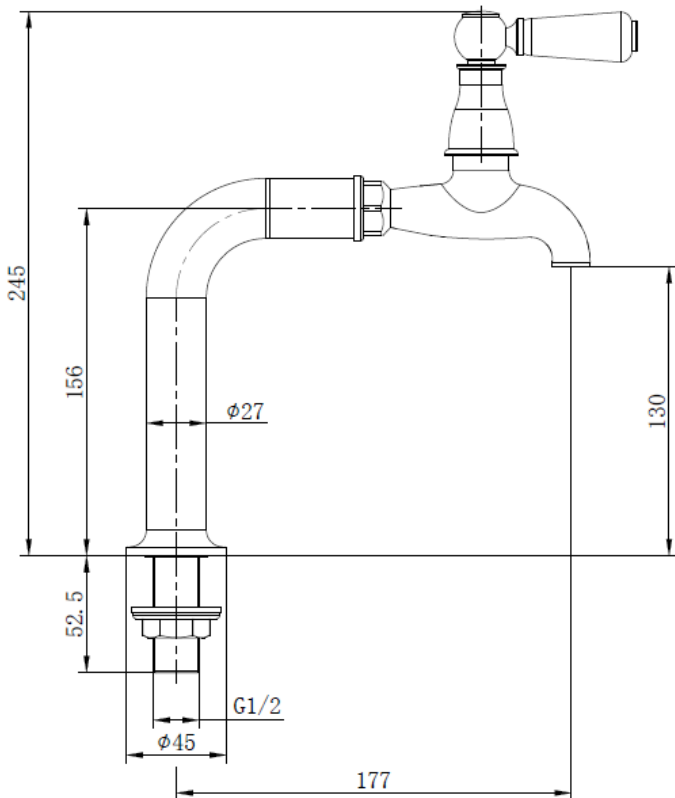


SAGITTARIUS

Product Code	KL/295/C
Description	Kensington Lever Pair Of Bib Taps And Stands
Finish	Chrome
Design	Traditional
Connection	G1/2" BSP Male Threaded Tail
Plumbing System	Suitable For High Pressure. Pumped Or Combination Boiler
Operating System	Minimum Pressure 0.5 to 5.0 Bar
Cartridges	1/4 Turn 1/2" Ceramic Disc Valve
Approval	WRAS Approved Material
Guarantee	10 Years On Casting & Chrome Finish. 3 Years On Serviceable Moving Parts.



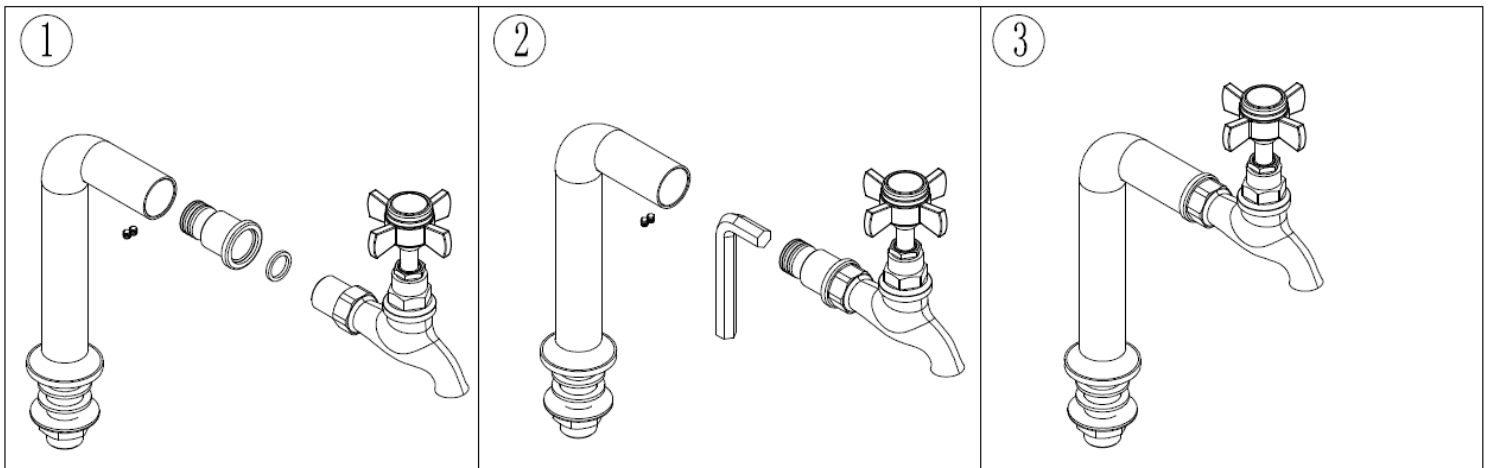
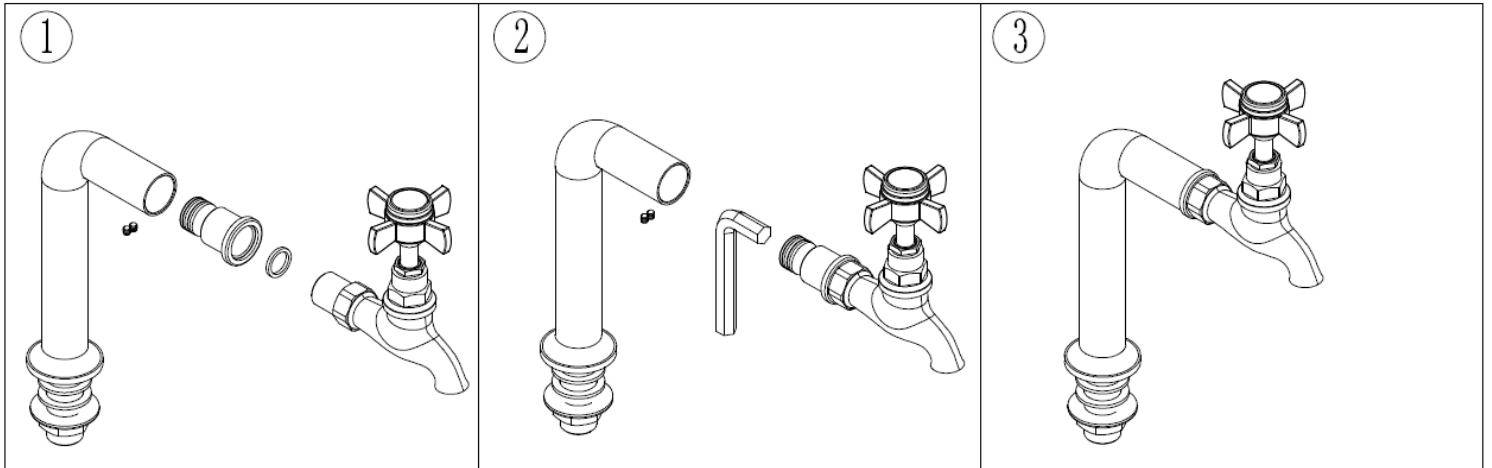
The information contained on this page was correct at the date of issue. Fitting dimensions are provided as a guide only. Some variation may occur due to manufacturing tolerances. We pursue a policy of continuing improvement in design and performance of our products and so reserve the right to change specifications without prior notice

FOR FURTHER ADVICE PLEASE CONTACT :-

SAGITTARIUS LTD UNIT 1 LOWER VICTORIA STREET—CHADDERTON—OLDHAM—OL9 9TU TEL: 0161 6202029

SAGITTARIUS

Bib Tap Installation Guide:



The information contained on this page was correct at the date of issue. Fitting dimensions are provided as a guide only. Some variation may occur due to manufacturing tolerances. We pursue a policy of continuing improvement in design and performance of our products and so reserve the right to change specifications without prior notice

FOR FURTHER ADVICE PLEASE CONTACT :-

SAGITTARIUS LTD UNIT 1 LOWER VICTORIA STREET—CHADDERTON—OLDHAM—OL9 9TU TEL: 0161 6202029