

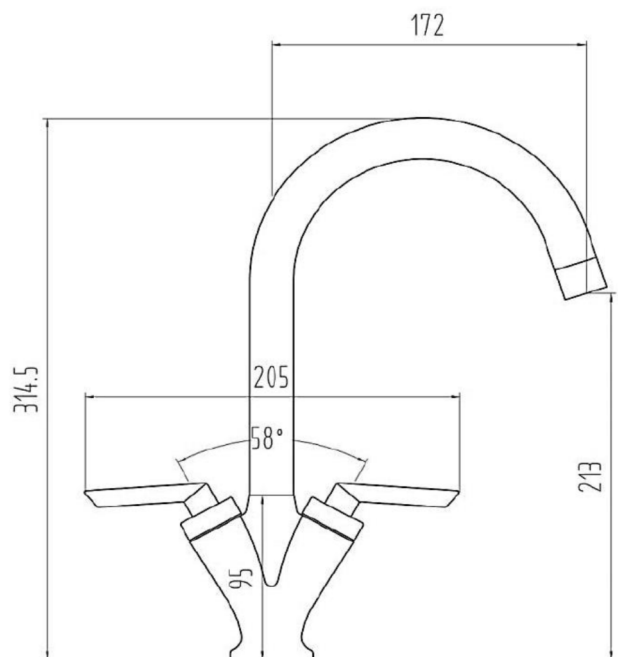
SAGITTARIUS

TAPS & SHOWERING

Construction Brass Body (CuZn40Pb18)
Finishes Chrome plated to BS EN 248
Product Type Contemporary

CODA LEVER MONOBLOC
SINK MIXER BLACK
CO/156/B

Standards Complies with BS5412, BS EN200
Certification Manufactured to comply with WRAS
Cartridge 1/4 Turn 1/2" Ceramic Disc Valves
Fitting M10 x 15mm flexible connection pipes
Packaging 45.5 x 37 x 29.5cm / carton (10 boxes / carton)
Guarantee 10 years against manufacturing faults (excluding serviceable parts).
3 years serviceable parts, 1 year on Black or Nickle plating



The information contained on this page was correct at the date of issue. Fitting dimensions are provided as a guide only. Some variation may occur due to manufacturing tolerances.

FOR FURTHER ADVICE PLEASE CONTACT :-
SAGITTARIUS LTD UNIT 1 LOWER VICTORIA STREET—CHADDERTON—OLDHAM—OL9 9TU TEL:0616 6202029
EMAIL:TECHNICAL@SAGITTARIUSTAPS.CO.UK