

SAGITTARIUS

TAPS & SHOWERING

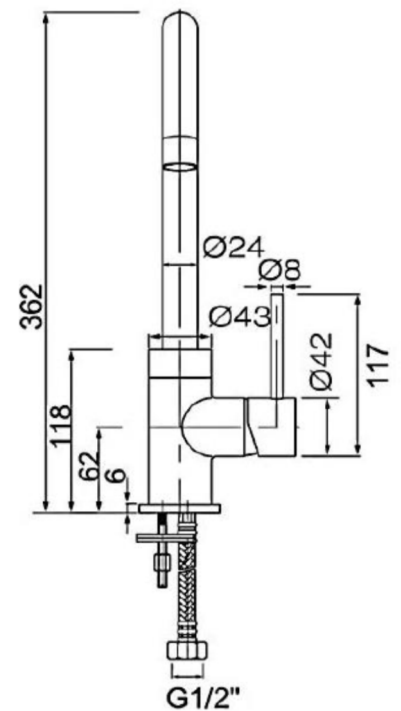
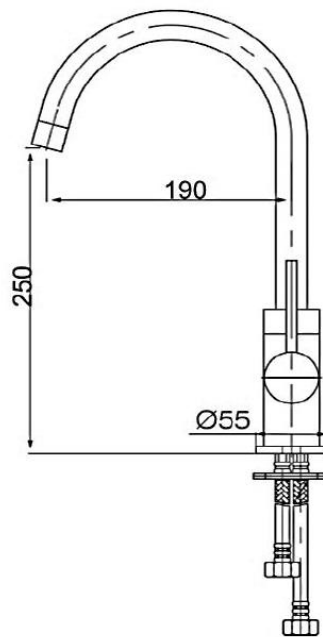
Construction Brass Body (CuZn40Pb18)
Finishes Chrome plated to BS EN 248
Product Type Contemporary

ERGO LEVER MONOBLOC

SINK SIDE LEVER CHROME

EL/155/C

Standards Complies with BS5412, BS EN200
Certification Manufactured to comply with WRAS
Cartridge 35mm Ceramic disc cartridge
Fitting M10 x 15mm flexible connection pipes
Packaging 48.5 x 42.5 x 24cm / carton (8 boxes / carton)
Guarantee 10 years against manufacturing faults (excluding serviceable parts).



The information contained on this page was correct at the date of issue. Fitting dimensions are provided as a guide only. Some variation may occur due to manufacturing tolerances.

FOR FURTHER ADVICE PLEASE CONTACT :-

SAGITTARIUS LTD UNIT 1 LOWER VICTORIA STREET—CHADDERTON—OLDHAM—OL9 9TU TEL:0616 6202029

EMAIL:TECHNICAL@SAGITTARIUSTAPS.CO.UK