

SAGITTARIUS

TAPS & SHOWERING

Construction
Finishes
Product Type

Brass Body (CuZn40Pb18)
Chrome plated to BS EN 248
Contemporary

Standards
Certification

Complies with BS5412, BS EN200
Manufactured to comply with WRAS

Cartridge

Non concussive valve

Aerator

Laminar

Fitting

1/2" BSP tail

Packaging

30x20.5x30cm / carton (10 boxes / carton); 18x14x5.5cm inner box.

Guarantee

1 years against manufacturing faults (excluding serviceable parts).

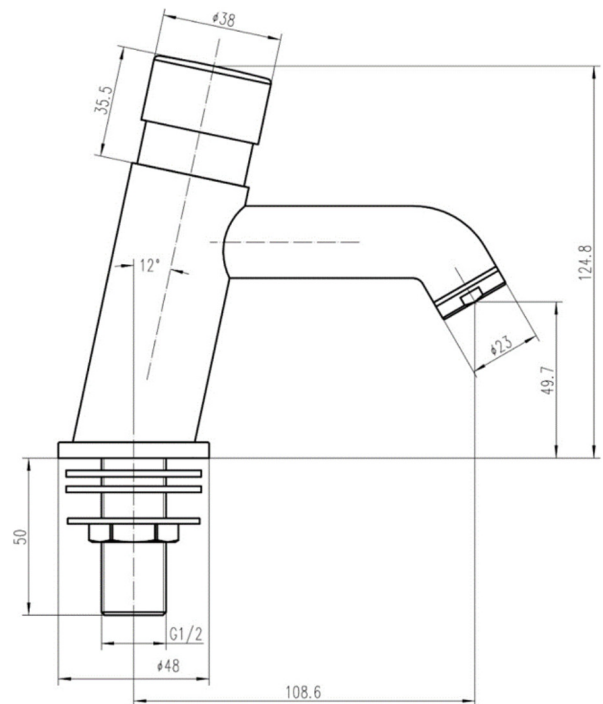
Additional Information

Suitable for cold or premixed single water feed

ERGO NON CONCUSSIVE

BASIN TAPS CHROME

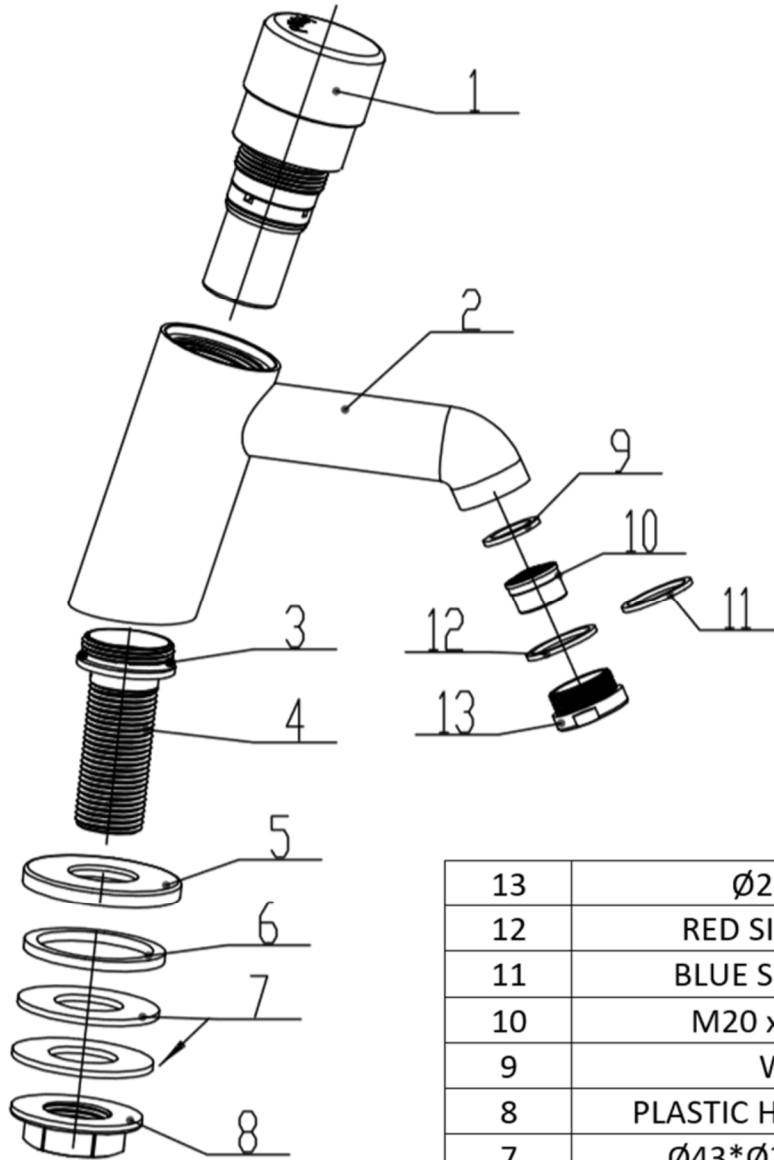
EL/148/C



The information contained on this page was correct at the date of issue. Fitting dimensions are provided as a guide only. Some variation may occur due to manufacturing tolerances. We pursue a policy of continuing improvement in design and performance of our products and so reserve the right to change specifications without prior notice

FOR FURTHER ADVICE PLEASE CONTACT :-
SAGITTARIUS LTD UNIT 1 LOWER VICTORIA STREET—CHADDERTON—OLDHAM—OL9 9TU TEL:0616 6202029
EMAIL:TECHNICAL@SAGITTARIUSTAPS.CO.UK

Exploded diagram EL/148/C



13	Ø23 OUTLET	1
12	RED SILICONE RING	1
11	BLUE SILICONE RING	1
10	M20 x 1 AERATOR	1
9	WASHER	1
8	PLASTIC HEXAGONAL NUT	1
7	Ø43*Ø21*2 WAHSER	2
6	Ø42*Ø35.5*3 WASHER	1
5	Ø45*5 FLANGE	1
4	G½" INLET PIPE	1
3	Ø27*Ø2 O-RING	1
2	G½" TAP BODY	1
1	TIME ADJUSTABLE CARTRIDGE	1
No.	DESCRIPTION	QTY

The information contained on this page was correct at the date of issue. Fitting dimensions are provided as a guide only. Some variation may occur due to manufacturing tolerances. We pursue a policy of continuing improvement in design and performance of our products and so reserve the right to change specifications without prior notice

FOR FURTHER ADVICE PLEASE CONTACT :-
 SAGITTARIUS LTD UNIT 1 LOWER VICTORIA STREET—CHADDERTON—OLDHAM—OL9 9TU TEL:0616 6202029
 EMAIL:TECHNICAL@SAGITTARIUSTAPS.CO.UK