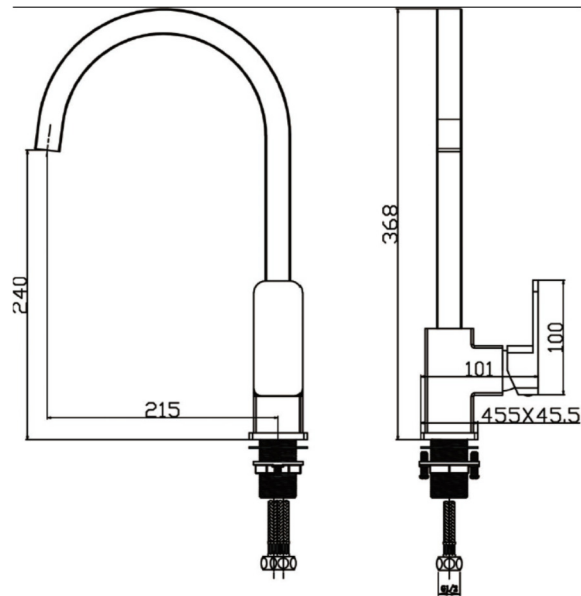


# SAGITTARIUS

## TAPS & SHOWERING

### MONACO MONOBLOCK SINK MIXER CHROME MO/154/C

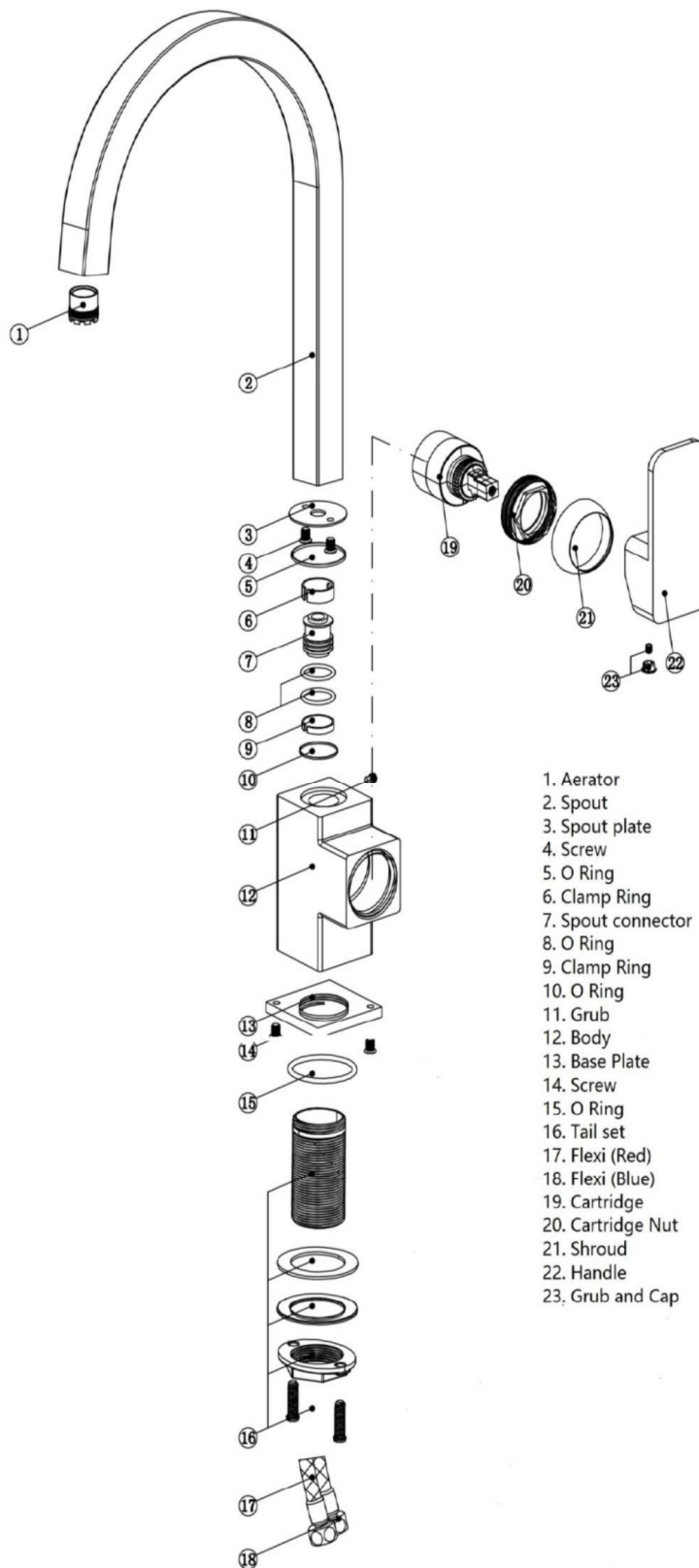
<b>Construction</b>	Brass Body (CuZn40Pb18)
<b>Finishes</b>	Chrome plated to BS EN 248
<b>Product Type</b>	Contemporary
<b>Standards</b>	Complies with BS5412, BS EN200
<b>Certification</b>	WRAS Approved
<b>Cartridge</b>	1/4 Turn 1/2" Ceramic Disc Valves
<b>Fitting</b>	M10 x 500mm flexible connection pipes
<b>Aerator</b>	Laminar
<b>Packaging</b>	59 x 47.5 x 27.5cm / carton (8 boxes / carton)
<b>Guarantee</b>	10 years against manufacturing faults (excluding serviceable parts).



The information contained on this page was correct at the date of issue. Fitting dimensions are provided as a guide only. Some variation may occur due to manufacturing tolerances. We pursue a policy of continuing improvement in design and performance of our products and so reserve the right to change specifications without prior notice

FOR FURTHER ADVICE PLEASE CONTACT :-  
SAGITTARIUS LTD UNIT 1 LOWER VICTORIA STREET—CHADDERTON—OLDHAM—OL9 9TU TEL:0616 6202029  
EMAIL:TECHNICAL@SAGITTARIUSTAPS.CO.UK

# Exploded parts drawing of the MO/154/C



The information contained on this page was correct at the date of issue. Fitting dimensions are provided as a guide only. Some variation may occur due to manufacturing tolerances. We pursue a policy of continuing improvement in design and performance of our products and so reserve the right to change specifications without prior notice

FOR FURTHER ADVICE PLEASE CONTACT :-

SAGITTARIUS LTD UNIT 1 LOWER VICTORIA STREET—CHADDERTON—OLDHAM—OL9 9TU TEL:0616 6202029

EMAIL:TECHNICAL@SAGITTARIUSTAPS.CO.UK