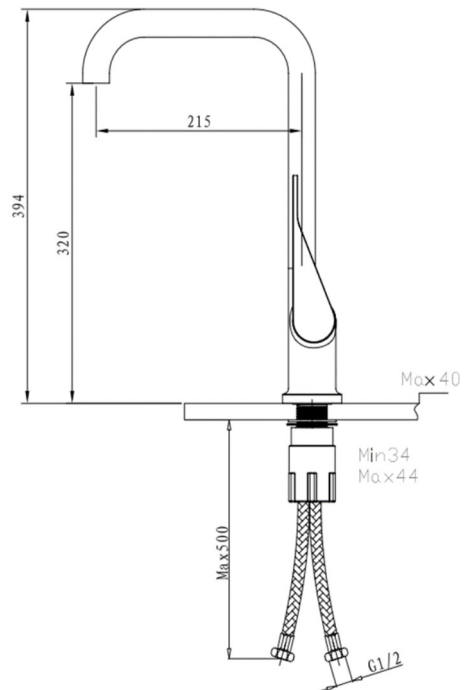
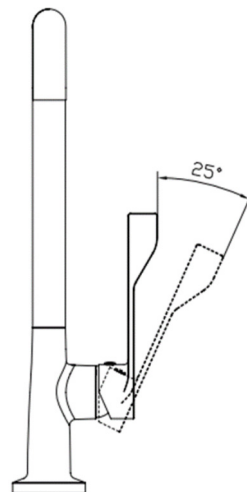
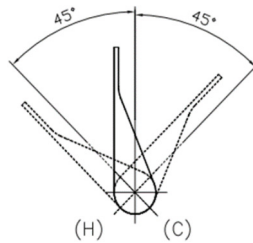


SAGITTARIUS

TAPS & SHOWERING

EXTENDED HANDLE MONO SINK MIXER CHROME SH/632/C

Construction	Brass Body & Handset (CuZn40Pb18); Zinc alloy handle
Finishes	Chrome plated to BS EN 248
Product Type	Contemporary
Standards	Complies with BS5412, BS EN200
Certification	Manufactured to comply with WRAS
Cartridge	35mm Ceramic Disc Cartridge
Fitting	Flexible connection pipes
Aerator	Neoperl Aerator
Packaging	48 x 46.5 x 31cm / carton (8 boxes / carton)
Guarantee	10 years against manufacturing faults (excluding serviceable parts).
Additional Information	

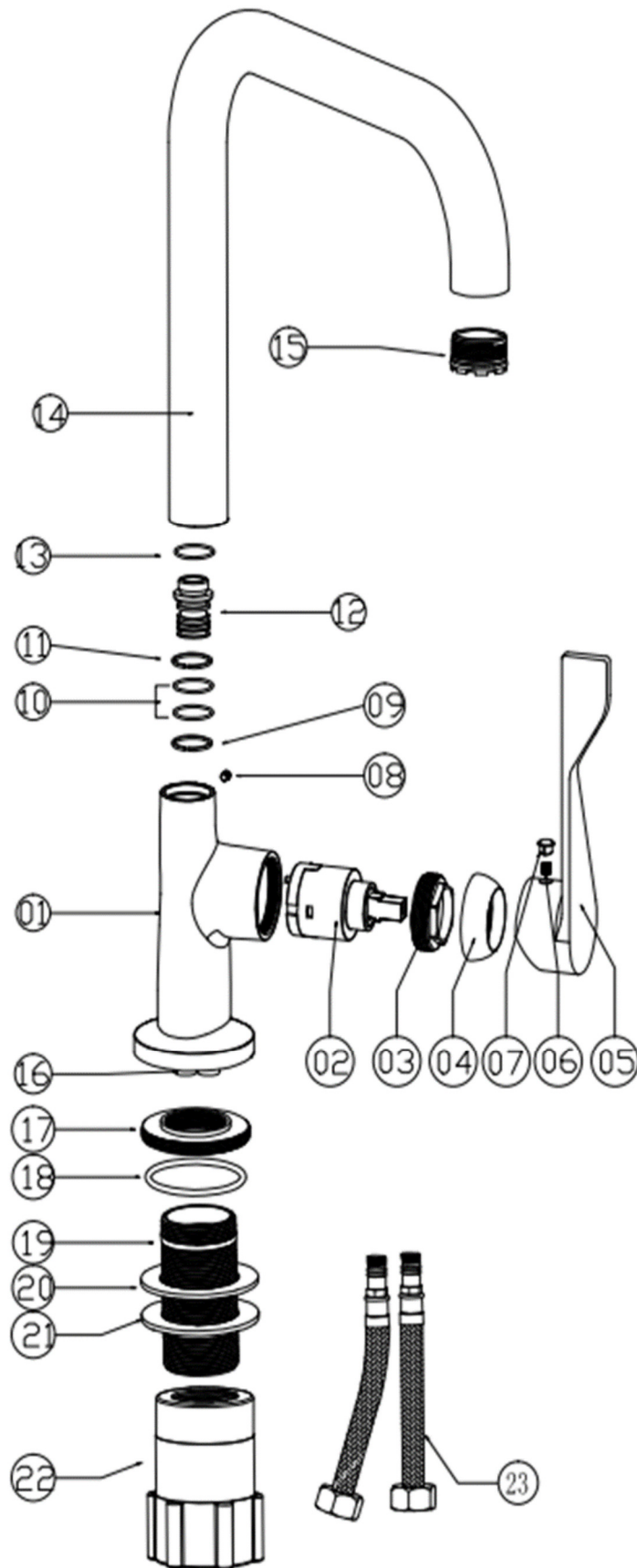


The information contained on this page was correct at the date of issue. Fitting dimensions are provided as a guide only. Some variation may occur due to manufacturing tolerances. We pursue a policy of continuing improvement in design and performance of our products and so reserve the right to change specifications without prior notice

FOR FURTHER ADVICE PLEASE CONTACT :-

SAGITTARIUS LTD UNIT 1 LOWER VICTORIA STREET—CHADDERTON—OLDHAM—OL9 9TU TEL:0616 6202029

EMAIL:TECHNICAL@SAGITTARIUSTAPS.CO.UK



Body	1
Cartridge	1
Nut	1
Shroud	1
Handle	1
Grub	1
Grub cap	1
Screw	1
Plastic ring	1
O-ring	2
Plastic ring	1
Turning connector	1
O-ring	2
Spout	1
Aerator	1
Connector	2
Base plate	1
O-ring	1
Stainless steel tube	1
Black washer	1
White plastic washer	1
Fixing nut	1
Flexible hoses	2

The information contained on this page was correct at the date of issue. Fitting dimensions are provided as a guide only. Some variation may occur due to manufacturing tolerances. We pursue a policy of continuing improvement in design and performance of our products and so reserve the right to change specifications without prior notice

FOR FURTHER ADVICE PLEASE CONTACT :-
 SAGITTARIUS LTD UNIT 1 LOWER VICTORIA STREET—CHADDERTON—OLDHAM—OL9 9TU TEL:0616 6202029
 EMAIL:TECHNICAL@SAGITTARIUSTAPS.CO.UK