

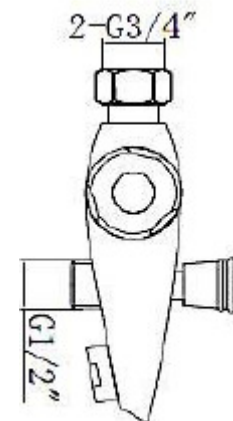
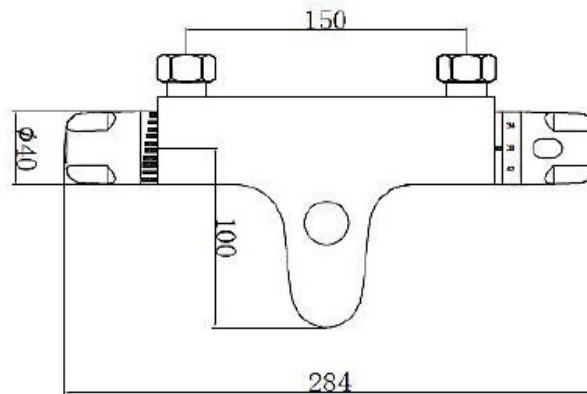
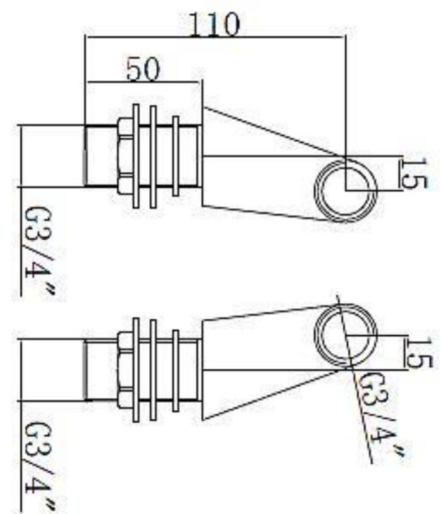
# SAGITTARIUS

## TAPS & SHOWERING

**Construction** Brass Body (CuZn38Pb18)  
**Finishes** Chrome plated to BS EN 248  
**Product Type** Contemporary

**Standards** Complies with BSEN 1111  
**Certification** Manufactured to comply with TMV2  
**Cartridge** Thermostatic  
**Fitting** Brass 3/4" BSP tails  
**Packaging** 41.5 x 35 x 41cm / carton (10 boxes / carton)  
**Guarantee** 10 years against manufacturing faults (excluding serviceable parts).  
**Additional Information** 1. Temperature: Pre-set 38°C, with push button override to 48°C.  
2. Automatic shut off in the event of hot or cold water supply failure.

## QUESTFLOW DECK MOUNTED THERMO BSM CHROME QU/198/C



The information contained on this page was correct at the date of issue. Fitting dimensions are provided as a guide only. Some variation may occur due to manufacturing tolerances. We pursue a policy of continuing improvement in design and performance of our products and so reserve the right to change specifications without prior notice

FOR FURTHER ADVICE PLEASE CONTACT :-  
SAGITTARIUS LTD UNIT 1 LOWER VICTORIA STREET—CHADDERTON—OLDHAM—OL9 9TU TEL:0616 6202029  
EMAIL:TECHNICAL@SAGITTARIUSTAPS.CO.UK