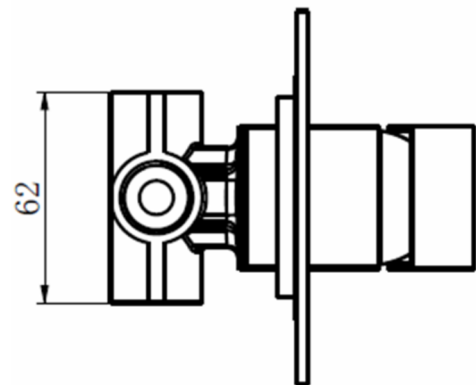
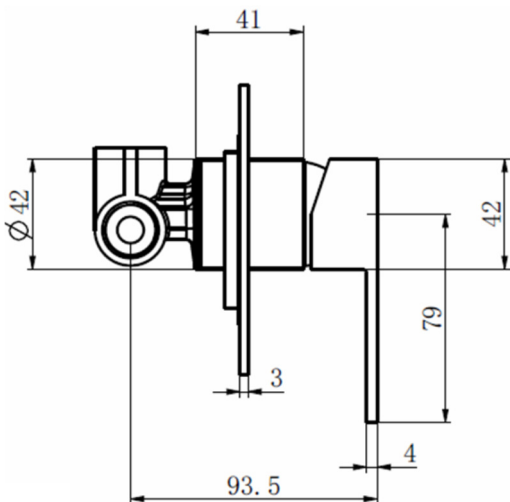
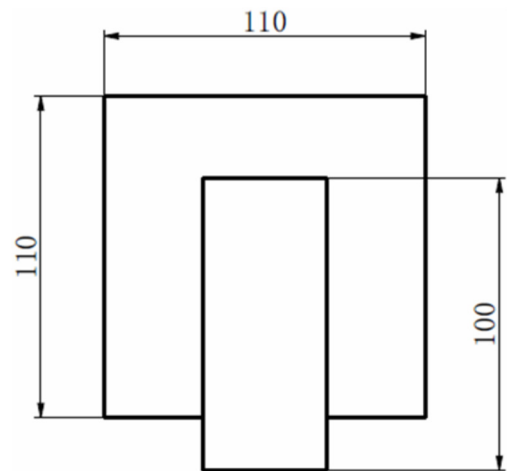


# SAGITTARIUS

## TAPS & SHOWERING

### COMO CUBE CONCEALED MANUAL VALVE CHROME SH/369/C

<b>Construction</b>	Brass Body CuZn40Pb2, EN CW617N (equivalent to BS CZ122); Zinc alloy handle
<b>Finishes</b>	Chrome plated to BS EN 248
<b>Product Type</b>	Contemporary
<b>Plumbing Systems</b>	Suitable for all plumbing systems
<b>Certification</b>	-
<b>Cartridge</b>	35mm Ceramic Disc Cartridge
<b>Fitting</b>	G1/2"
<b>Packaging</b>	30 x 30 x 48cm / carton (20 boxes / carton)
<b>Guarantee</b>	1 years against manufacturing faults (excluding serviceable parts).
<b>Additional Information</b>	Brass wall plate



The information contained on this page was correct at the date of issue. Fitting dimensions are provided as a guide only. Some variation may occur due to manufacturing tolerances. We pursue a policy of continuing improvement in design and performance of our products and so reserve the right to change specifications without prior notice

FOR FURTHER ADVICE PLEASE CONTACT :-  
SAGITTARIUS LTD UNIT 1 LOWER VICTORIA STREET—CHADDERTON—OLDHAM—OL9 9TU TEL:0616 6202029  
EMAIL:TECHNICAL@SAGITTARIUSTAPS.CO.UK