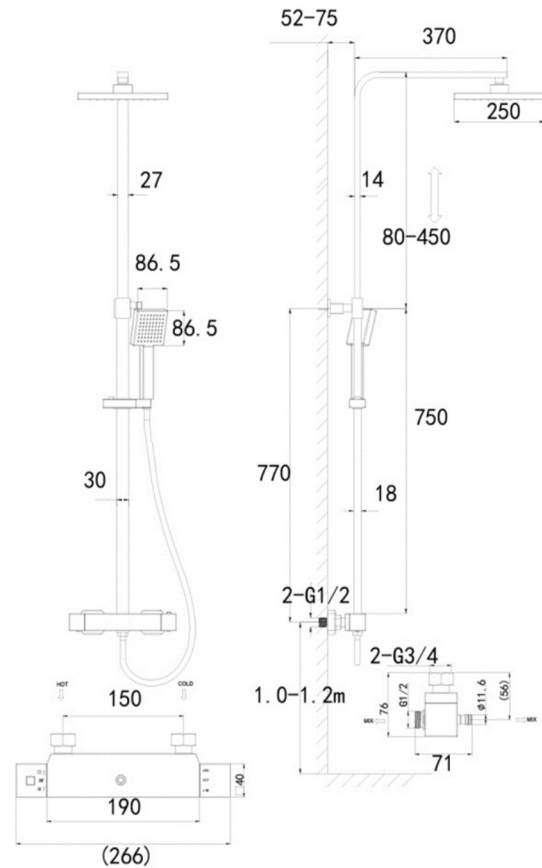


SAGITTARIUS

TAPS & SHOWERING

STARK CUBE EXPOSED VALVE AND RIGID RISER KIT SH/611/C

Construction	Brass Body (CuZn38Pb18); Zinc alloy handle
Finishes	Chrome : Ni : 8-12um, Cr : 0.25-0.3um
Product Type	Contemporary
Standards	Complies with BSEN 1111
Certification	Manufactured to comply with WRAS, TMV2
Cartridge	Thermostatic
Valve	Integrate diverter ceramic valve
Check valve	0.5-10 gpm
Fitting	easy fit(15mm compression connection)
Packaging	96.5 x 46 x 56cm / carton (4 boxes / carton)
Guarantee	10 years against manufacturing faults (excluding serviceable parts).
Additional Information	1. Temperature: Pre-set 38°C, with push button override to 48°C. 2. Automatic shut off in the event of hot or cold water supply failure. 3. Stainless steel adjustable riser rail 4. Shower head : Chrome , ABS , 225mm 5. Handset : Chrome, ABS / Hose : Smooth PVC, 1.5m 6. Cool touch technology



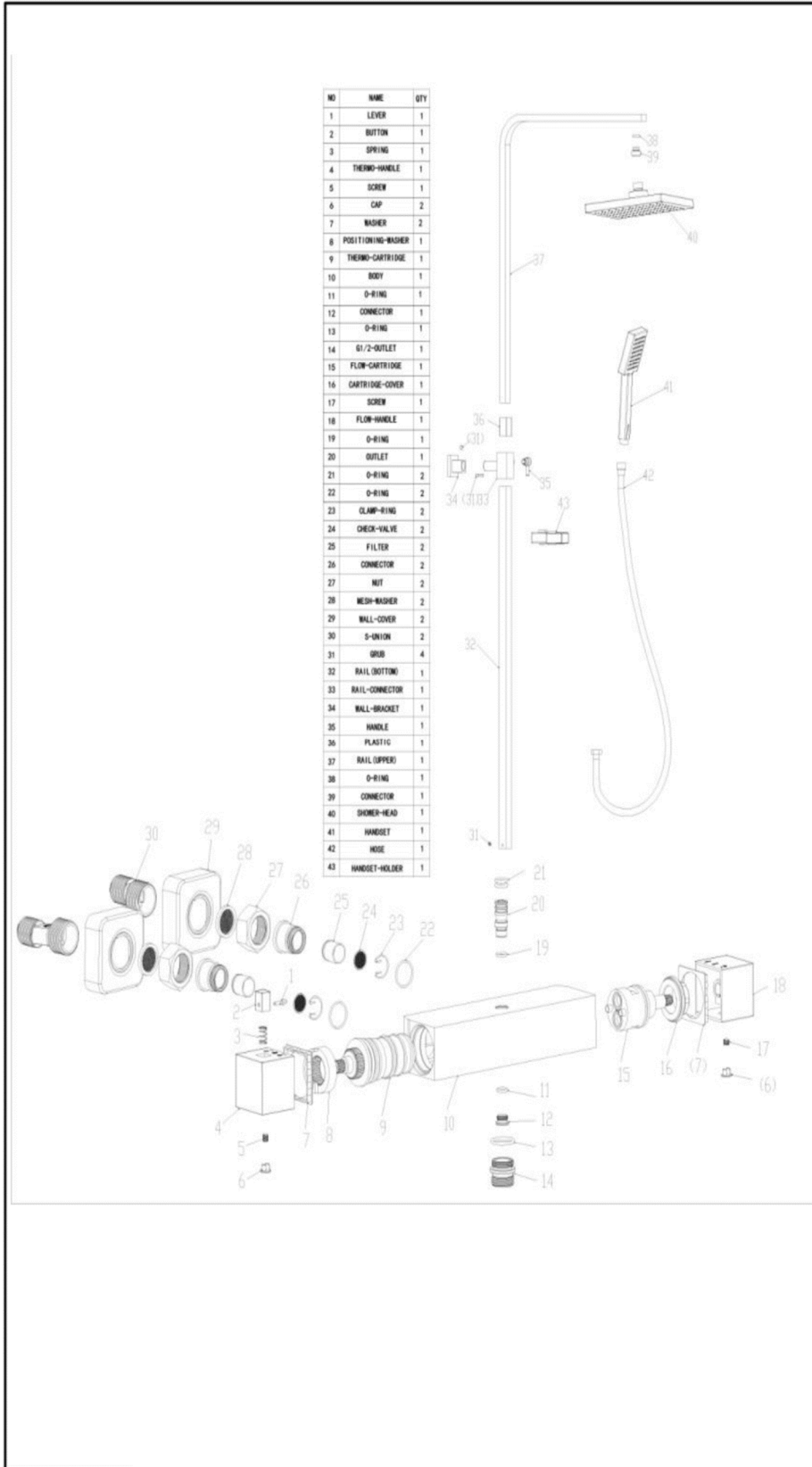
The information contained on this page was correct at the date of issue. Fitting dimensions are provided as a guide only. Some variation may occur due to manufacturing tolerances. We pursue a policy of continuing improvement in design and performance of our products and so reserve the right to change specifications without prior notice

FOR FURTHER ADVICE PLEASE CONTACT :-

SAGITTARIUS LTD UNIT 1 LOWER VICTORIA STREET—CHADDERTON—OLDHAM—OL9 9TU TEL:0616 6202029

EMAIL:TECHNICAL@SAGITTARIUSTAPS.CO.UK

SH/611/C EXPLOADED DRAWING



The information contained on this page was correct at the date of issue. Fitting dimensions are provided as a guide only. Some variation may occur due to manufacturing tolerances. We pursue a policy of continuing improvement in design and performance of our products and so reserve the right to change specifications without prior notice

FOR FURTHER ADVICE PLEASE CONTACT :-
 SAGITTARIUS LTD UNIT 1 LOWER VICTORIA STREET—CHADDERTON—OLDHAM—OL9 9TU TEL:0616 6202029
 EMAIL:TECHNICAL@SAGITTARIUSTAPS.CO.UK