

SAGITTARIUS

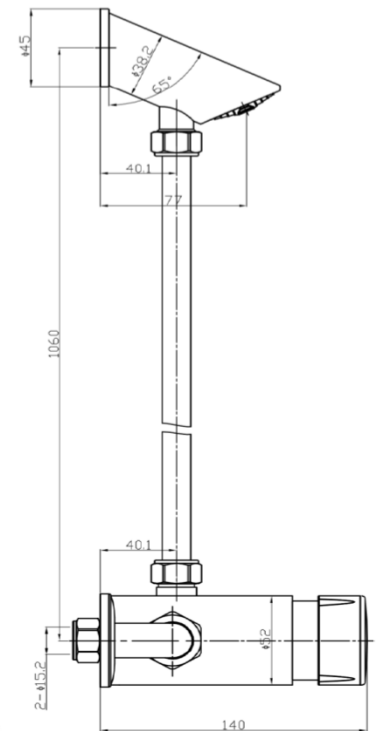
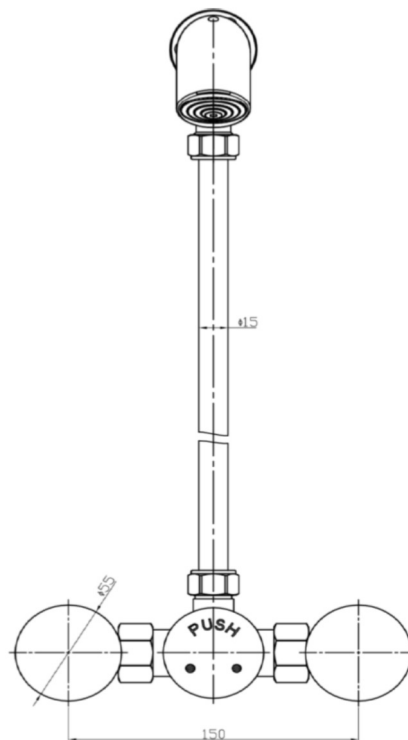
TAPS & SHOWERING

Construction Brass Body (CuZn40Pb18)
Finishes Chrome plated to BS EN 248
Product Type Contemporary

Exp Temp Flow Adjustable
non concussive shower set

SH/621/C

Standards Complies with BS5412, BS EN200
Certification Manufactured to comply with CE
Cartridge Non concussive mixer valve
Aerator Aerated
Fitting 15mm compression
Packaging 16 x 102.5 x 7.5cm / carton (10 boxes / carton);
Guarantee 1 years against manufacturing faults (excluding serviceable parts).
Additional Information Handle: Zinc Alloy



The information contained on this page was correct at the date of issue. Fitting dimensions are provided as a guide only. Some variation may occur due to manufacturing tolerances. We pursue a policy of continuing improvement in design and performance of our products and so reserve the right to change specifications without prior notice

FOR FURTHER ADVICE PLEASE CONTACT :-

SAGITTARIUS LTD UNIT 1 LOWER VICTORIA STREET—CHADDERTON—OLDHAM—OL9 9TU TEL:0616 6202029

EMAIL:TECHNICAL@SAGITTARIUSTAPS.CO.UK