

# SAGITTARIUS

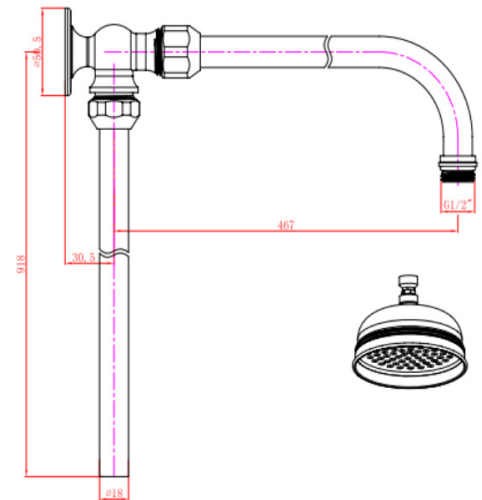
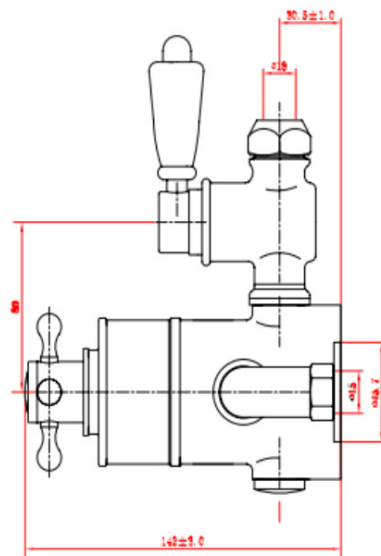
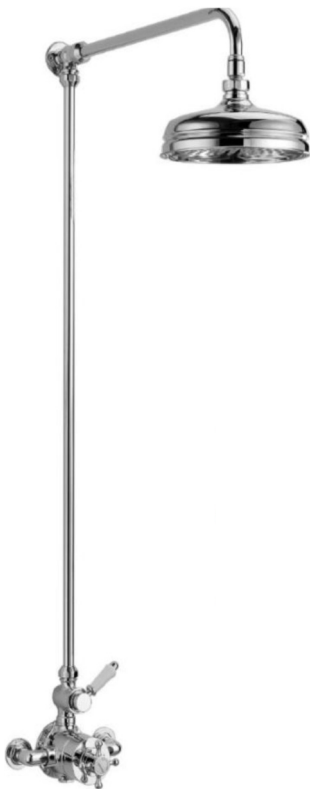
## TAPS & SHOWERING

<b>Construction</b>	Brass Body
<b>Finishes</b>	Chrome plated to BS EN 248
<b>Product Type</b>	Traditional
<b>Standards</b>	
<b>Certification</b>	Complies with BS5412, BS EN200
<b>Cartridge</b>	Manufactured to comply with WRAS
<b>Fitting</b>	1/4 Turn 3/4" Valves
<b>Packaging</b>	3/4" BSP
<b>Guarantee</b>	99.5 x 72 x 21cm / carton (2 boxes / carton)
<b>Additional Information</b>	10 years against manufacturing faults (excluding serviceable parts).

EDWADIAN THERMO EXP

VALVES & RIGID RISER KIT

SHOW52



The information contained on this page was correct at the date of issue. Fitting dimensions are provided as a guide only. Some variation may occur due to manufacturing tolerances. We pursue a policy of continuing improvement in design and performance of our products and so reserve the right to change specifications without prior notice

FOR FURTHER ADVICE PLEASE CONTACT :-

SAGITTARIUS LTD UNIT 1 LOWER VICTORIA STREET—CHADDERTON—OLDHAM—OL9 9TU TEL:0616 6202029

EMAIL:TECHNICAL@SAGITTARIUSTAPS.CO.UK