

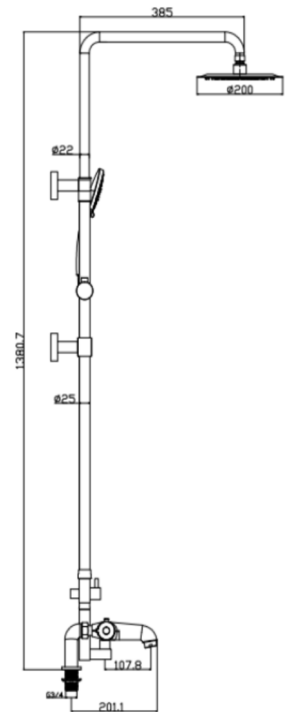
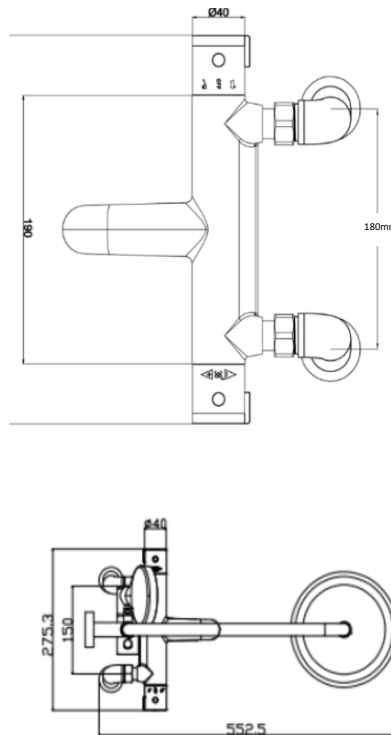
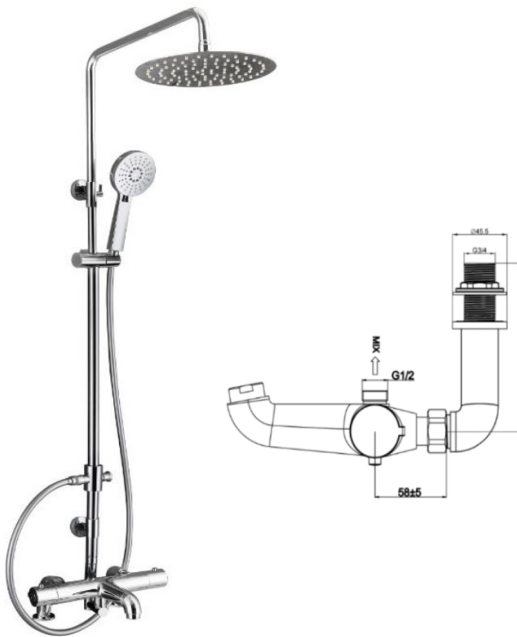
SAGITTARIUS

TAPS & SHOWERING

Construction Brass Body CuZn40Pb2, EN CW617N (equivalent to BS CZ122)
Finishes Chrome plated to BS EN 248
Product Type Contemporary

XANDA DECK MOUNTED THERMO BSM & RIGID KIT XA/298/C

Standards Complies with BSEN 1111
Certification Manufactured to comply with TMV2
Cartridge Thermostatic
Valve Type Ceramic Disc Cartridge
Aerator Laminar
Fitting Brass 3/4" BSP tails
Packaging 99.5 x 46 x 51cm / carton (4 boxes / carton)
Guarantee 10 years against manufacturing faults (excluding serviceable parts).
Additional Information
1. Temperature : Pre-set 38oC, with push button override to 48°C.
2. Automatic shut off in the event of hot or cold water supply failure.
3. Shower head : Chrome , Ø250mm, SS304 Ultra Thin
4. Shower handset : Chrome , 3 mode, ABS
5. Shower hose : PVC , 1.5m
6. Telescopic adjustable height shower rail



The information contained on this page was correct at the date of issue. Fitting dimensions are provided as a guide only. Some variation may occur due to manufacturing tolerances. We pursue a policy of continuing improvement in design and performance of our products and so reserve the right to change specifications without prior notice

FOR FURTHER ADVICE PLEASE CONTACT :-

SAGITTARIUS LTD UNIT 1 LOWER VICTORIA STREET—CHADDERTON—OLDHAM—OL9 9TU TEL:0616 6202029

EMAIL:TECHNICAL@SAGITTARIUSTAPS.CO.UK