

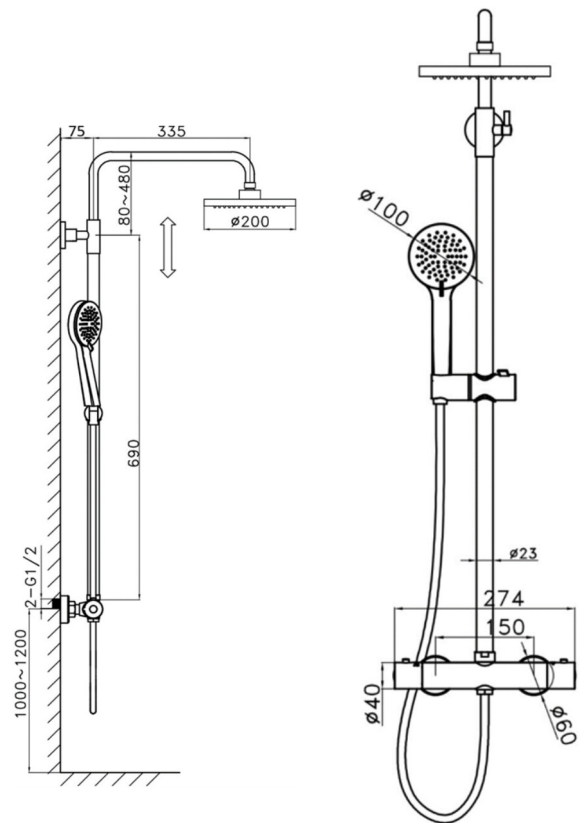
SAGITTARIUS

TAPS & SHOWERING

Construction Brass Body (CuZn38Pb18); ABS handle
Finishes Chrome plated to BS EN 248
Product Type Contemporary

Standards Complies with BSEN 1111
Certification Manufactured to comply with WRAS (Pending)
Cartridge Thermostatic
Fitting Escutcheon (S-unions)
Valve Integrate diverter ceramic valve
Check valve 0.5-10 gpm
Packaging 84 x 44 x 42cm / carton (5 boxes / carton)
Guarantee 10 years against manufacturing faults (excluding serviceable parts).
Additional Information
1. Temperature: Pre-set 38°C, with push button override to 48°C.
2. Automatic shut off in the event of hot or cold water supply failure.
3. Shower head : Chrome , Ø200mm, ABS
4. Shower handset : Chrome , 3 mode, ABS
5. Shower hose : Stainless steel , 1.5m
6. Riser Rail: Adjustable height riser rail.

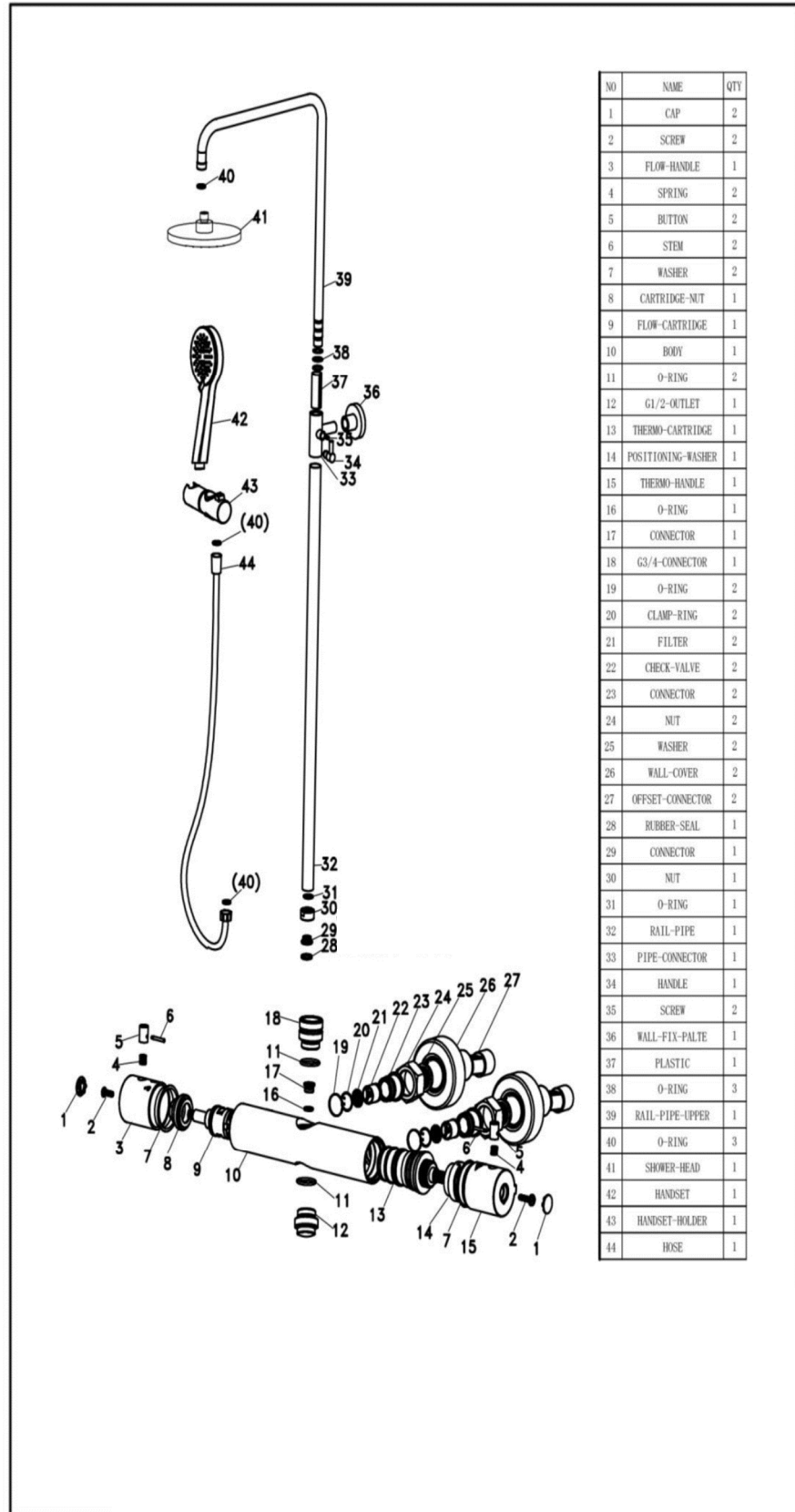
DREAM DELUXE EXPOSED VALVE AND RIGID RISER KIT SH/609/C



The information contained on this page was correct at the date of issue. Fitting dimensions are provided as a guide only. Some variation may occur due to manufacturing tolerances. We pursue a policy of continuing improvement in design and performance of our products and so reserve the right to change specifications without prior notice

FOR FURTHER ADVICE PLEASE CONTACT :-
SAGITTARIUS LTD UNIT 1 LOWER VICTORIA STREET—CHADDERTON—OLDHAM—OL9 9TU TEL:0616 6202029
EMAIL:TECHNICAL@SAGITTARIUSTAPS.CO.UK

SH/609/C EXPLOADED DRAWING



NO	NAME	QTY
1	CAP	2
2	SCREW	2
3	FLOW-HANDLE	1
4	SPRING	2
5	BUTTON	2
6	STEM	2
7	WASHER	2
8	CARTRIDGE-NUT	1
9	FLOW-CARTRIDGE	1
10	BODY	1
11	O-RING	2
12	G1/2-OUTLET	1
13	THERMO-CARTRIDGE	1
14	POSITIONING-WASHER	1
15	THERMO-HANDLE	1
16	O-RING	1
17	CONNECTOR	1
18	G3/4-CONNECTOR	1
19	O-RING	2
20	CLAMP-RING	2
21	FILTER	2
22	CHECK-VALVE	2
23	CONNECTOR	2
24	NUT	2
25	WASHER	2
26	WALL-COVER	2
27	OFFSET-CONNECTOR	2
28	RUBBER-SEAL	1
29	CONNECTOR	1
30	NUT	1
31	O-RING	1
32	RAIL-PIPE	1
33	PIPE-CONNECTOR	1
34	HANDLE	1
35	SCREW	2
36	WALL-FIX-PALTE	1
37	PLASTIC	1
38	O-RING	3
39	RAIL-PIPE-UPPER	1
40	O-RING	3
41	SHOWER-HEAD	1
42	HANDSET	1
43	HANDSET-HOLDER	1
44	HOSE	1

The information contained on this page was correct at the date of issue. Fitting dimensions are provided as a guide only. Some variation may occur due to manufacturing tolerances. We pursue a policy of continuing improvement in design and performance of our products and so reserve the right to change specifications without prior notice

FOR FURTHER ADVICE PLEASE CONTACT :-
 SAGITTARIUS LTD UNIT 1 LOWER VICTORIA STREET—CHADDERTON—OLDHAM—OL9 9TU TEL:0616 620209
 EMAIL:TECHNICAL@SAGITTARIUSTAPS.CO.UK