

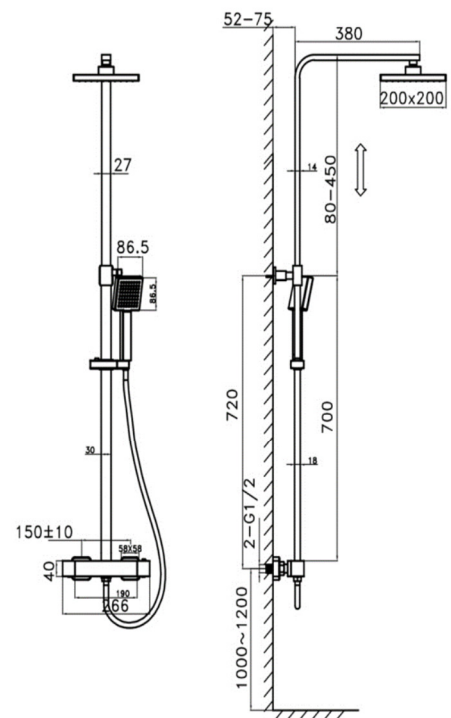
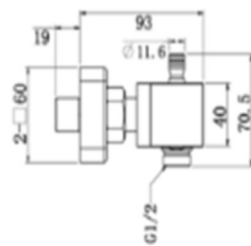
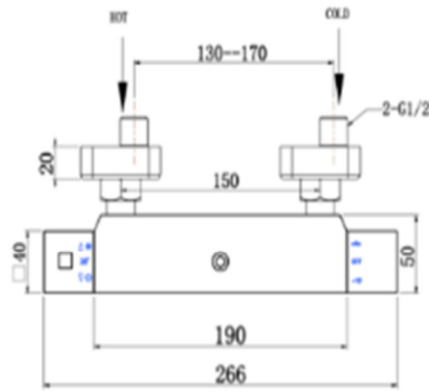
SAGITTARIUS

TAPS & SHOWERING

Construction Brass Body (CuZn38Pb18); Zinc alloy handle
Finishes Chrome : Ni : 8-12um, Cr : 0.25-0.3um
Product Type Contemporary

Standards Complies with BSEN 1111
Certification Manufactured to comply with WRAS, TMV2
Cartridge Thermostatic
Fitting Escutcheon(S-unions)
Valve Integrate diverter ceramic valve
Packaging 84 x 44 x 42cm / carton (5 boxes / carton)
Guarantee 10 years against manufacturing faults (excluding serviceable parts).
Additional Information 1. Temperature: Pre-set 38°C, with push button override to 48°C.
 2. Automatic shut off in the event of hot or cold water supply failure.
 3. Shower head : Chrome , ABS , 200mm
 4. Shower handset : Chrome , ABS
 5. Shower hose : stainless steel , 1.5m
 6. Stainless steel adjustable riser rail

AQUA CUBE EXPOSED VALVE AND RIGID RISER KIT SH/612/C



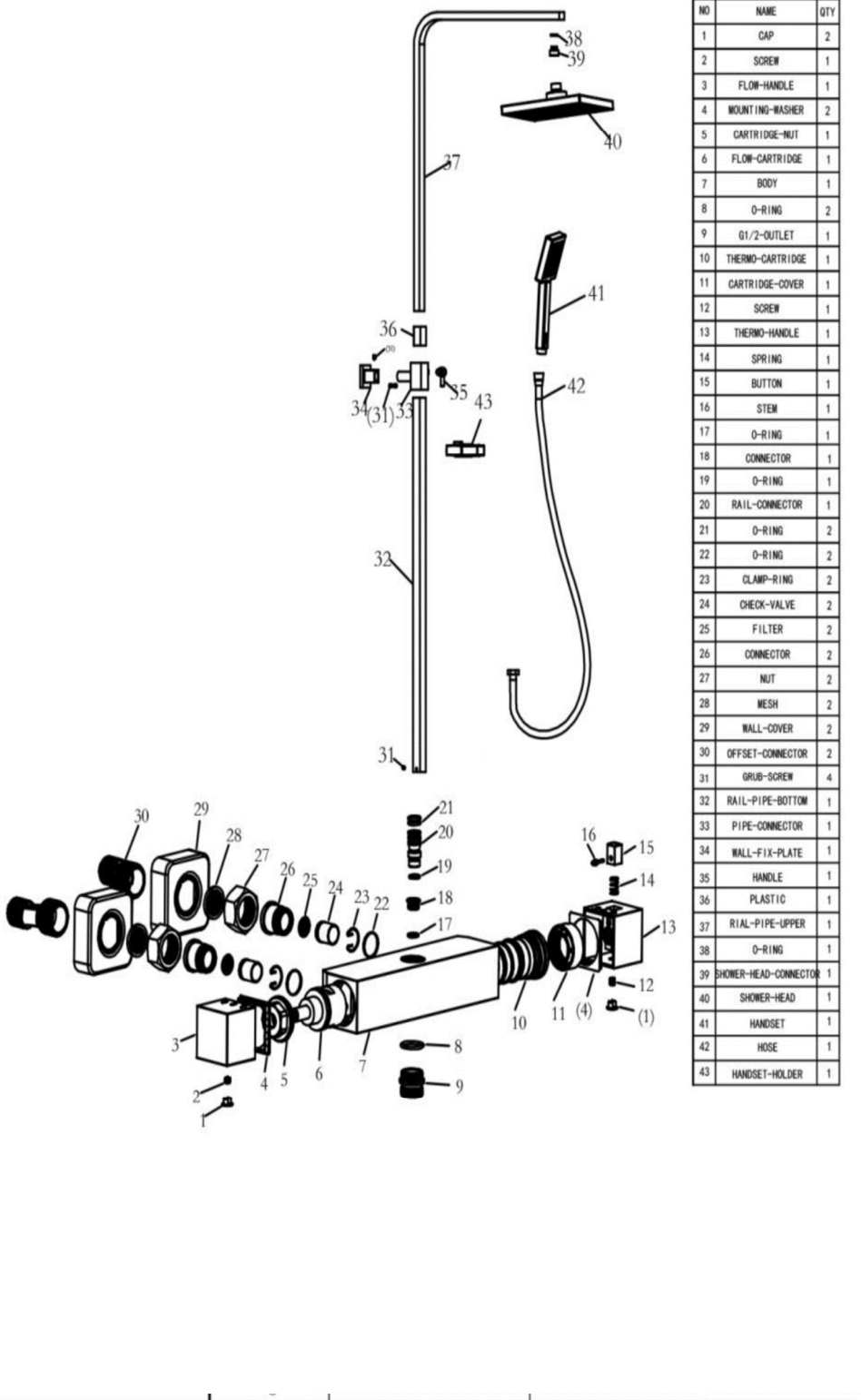
The information contained on this page was correct at the date of issue. Fitting dimensions are provided as a guide only. Some variation may occur due to manufacturing tolerances. We pursue a policy of continuing improvement in design and performance of our products and so reserve the right to change specifications without prior notice

FOR FURTHER ADVICE PLEASE CONTACT :-

SAGITTARIUS LTD UNIT 1 LOWER VICTORIA STREET—CHADDERTON—OLDHAM—OL9 9TU TEL:0616 6202029

EMAIL:TECHNICAL@SAGITTARIUSTAPS.CO.UK

SH/612/C EXPLODED



NO	NAME	QTY
1	CAP	2
2	SCREW	1
3	FLOW-HANDLE	1
4	MOUNTING-WASHER	2
5	CARTRIDGE-NUT	1
6	FLOW-CARTRIDGE	1
7	BODY	1
8	O-RING	2
9	G1/2-OUTLET	1
10	THERMO-CARTRIDGE	1
11	CARTRIDGE-COVER	1
12	SCREW	1
13	THERMO-HANDLE	1
14	SPRING	1
15	BUTTON	1
16	STEM	1
17	O-RING	1
18	CONNECTOR	1
19	O-RING	1
20	RAIL-CONNECTOR	1
21	O-RING	2
22	O-RING	2
23	CLAMP-RING	2
24	CHECK-VALVE	2
25	FILTER	2
26	CONNECTOR	2
27	NUT	2
28	MESH	2
29	WALL-COVER	2
30	OFFSET-CONNECTOR	2
31	GRUB-SCREW	4
32	RAIL-PIPE-BOTTOM	1
33	PIPE-CONNECTOR	1
34	WALL-FIX-PLATE	1
35	HANDLE	1
36	PLASTIC	1
37	RAIL-PIPE-UPPER	1
38	O-RING	1
39	SHOWER-HEAD-CONNECTOR	1
40	SHOWER-HEAD	1
41	HANDSET	1
42	HOSE	1
43	HANDSET-HOLDER	1

The information contained on this page was correct at the date of issue. Fitting dimensions are provided as a guide only. Some variation may occur due to manufacturing tolerances. We pursue a policy of continuing improvement in design and performance of our products and so reserve the right to change specifications without prior notice

FOR FURTHER ADVICE PLEASE CONTACT :-

SAGITTARIUS LTD UNIT 1 LOWER VICTORIA STREET—CHADDERTON—OLDHAM—OL9 9TU TEL:0616 6202029

EMAIL:TECHNICAL@SAGITTARIUSTAPS.CO.UK