

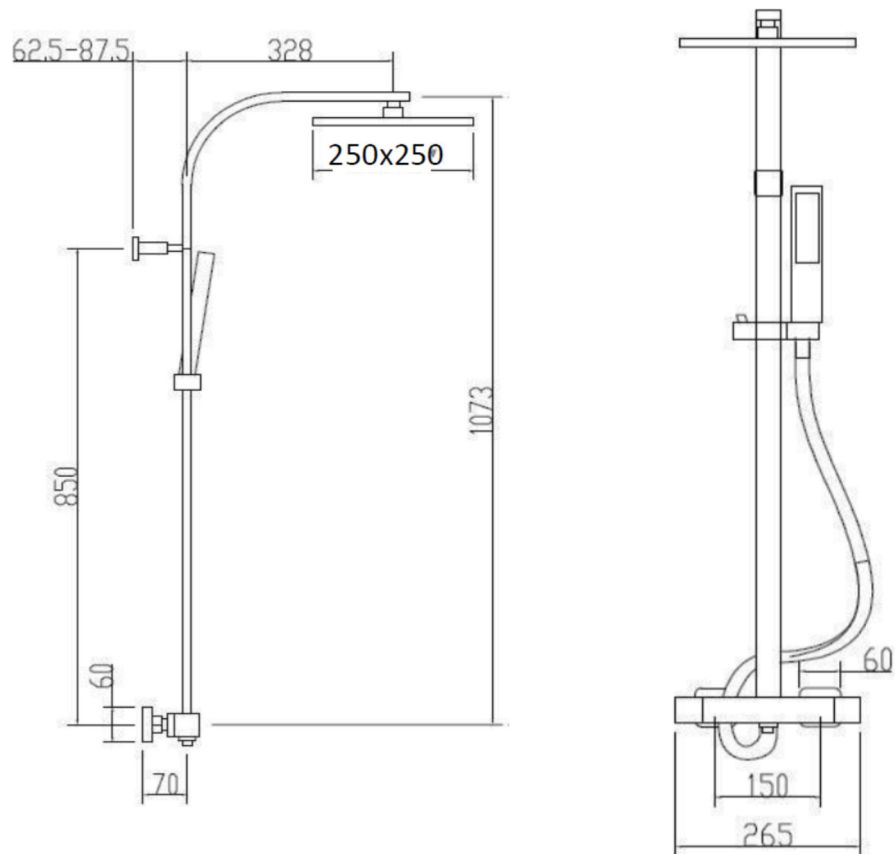
SAGITTARIUS

TAPS & SHOWERING

CURVE EXPOSED VALVE & RIGID RISER KIT CHROME SH/613/C

Construction Brass Body (CuZn38Pb18)
Finishes Chrome plated to BS EN 248
Product Type Contemporary

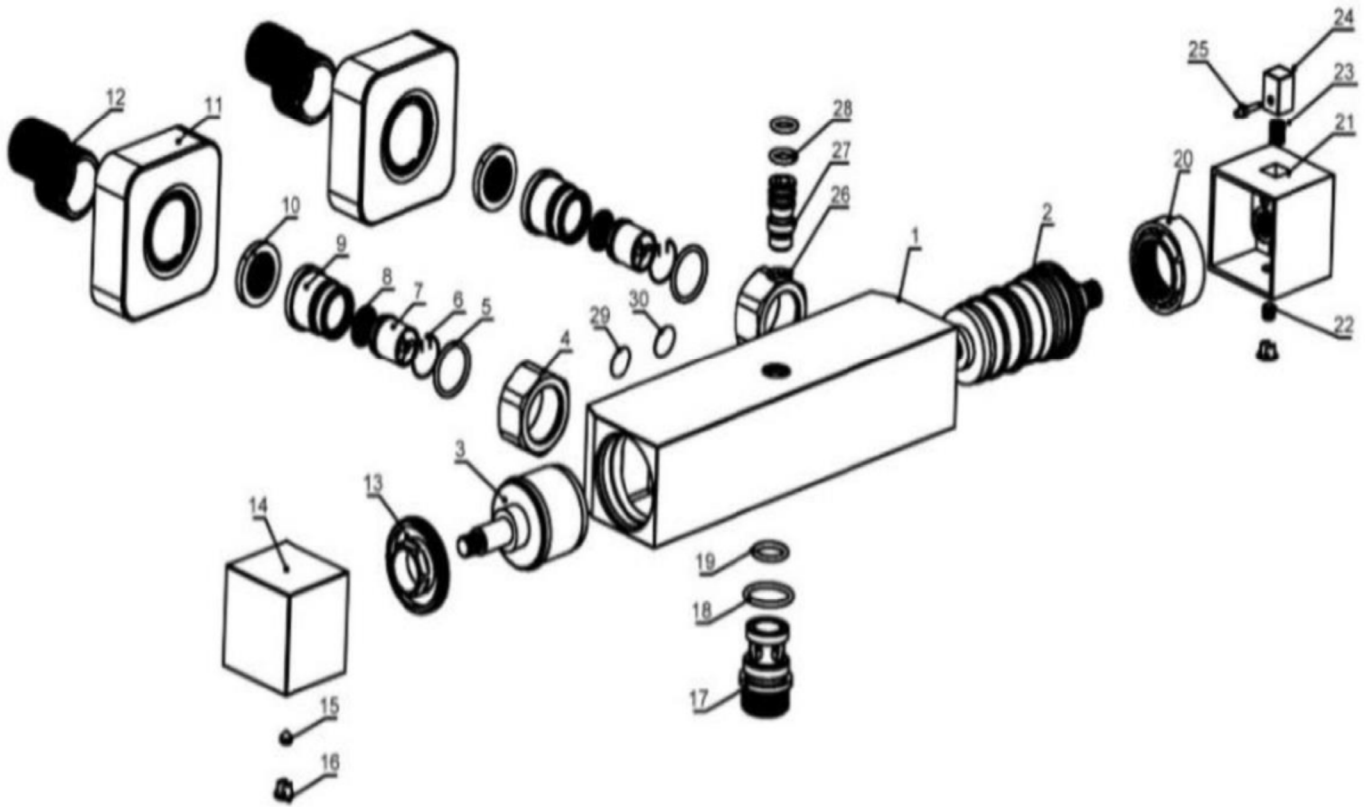
Standards Complies with BSEN 1111
Certification Manufactured to comply with WRAS, TMV2
Cartridge Thermostatic
Fitting Easy Fit (15mm compression connection), Brass Riser Rail
Valve Integrate diverter ceramic valve
Check valve 0.5-10 gpm
Packaging 119x41.5x55cm/carton(4pcs), Box size: 117x39x13cm, Weight: 6.75kg
Guarantee 10 years against manufacturing faults (excluding serviceable parts).
Additional Information
1. Temperature: Pre-set 38°C, with push button override to 48°C.
2. Automatic shut off in the event of hot or cold water supply failure.
3. Shower head : 250MM, SS304 ultra slim head, air induction
4. Shower handset : Chrome , single mode, ABS
5. Shower hose : PVC easy clean hose, 1.5m



The information contained on this page was correct at the date of issue. Fitting dimensions are provided as a guide only. Some variation may occur due to manufacturing tolerances. We pursue a policy of continuing improvement in design and performance of our products and so reserve the right to change specifications without prior notice

FOR FURTHER ADVICE PLEASE CONTACT :-
SAGITTARIUS LTD UNIT 1 LOWER VICTORIA STREET—CHADDERTON—OLDHAM—OL9 9TU TEL:0616 6202029
EMAIL:TECHNICAL@SAGITTARIUSTAPS.CO.UK

EXPLODED DIAGRAM SH/613/C



20	CARTRIDGE COLLAR	1
19	O-RING	1
18	O-RING	1
17	HOSE CONNECTOR	1
16	CAP	1
15	GRUB SCREW	1
14	ON-OFF HANDLE	1
13	BRASS NUT	1
12	OFFSET-CONNECTOR	2
11	WALL PLATE	2
10	WASHER FILTER	2
9	CHECK VALVE	2
8	NUT	2
7	FILTER	2
6	STEEL-RING	2
5	O-RING	2
4	BSP-PILLAR-NUT	2
3	FLOW-CARTRIDGE	1
2	THERMO-CARTRIDGE	1
1	BODY	1

30	COLD STICKER	1
29	HOT STICKER	1
28	O-RING	1
27	BRASS NIPPLE	1
26	O RING	1
25	LEVER	1
24	BUTTON	1
23	SPRING	1
22	GRUB SCREW	1
21	THERMO-HANDLE	1

The information contained on this page was correct at the date of issue. Fitting dimensions are provided as a guide only. Some variation may occur due to manufacturing tolerances. We pursue a policy of continuing improvement in design and performance of our products and so reserve the right to change specifications without prior notice

FOR FURTHER ADVICE PLEASE CONTACT :-
 SAGITTARIUS LTD UNIT 1 LOWER VICTORIA STREET—CHADDERTON—OLDHAM—OL9 9TU TEL:0616 6202029
 EMAIL:TECHNICAL@SAGITTARIUSTAPS.CO.UK