

SAGITTARIUS

TAPS & SHOWERING

VERONA EXPOSED VALVE AND RIGID RISER KIT SH/614/C

Construction Brass Body (CuZn40Pb18); Check valve
Finishes Chrome plated to BS EN 248
Product Type Contemporary

Standards Complies with BSEN 1111

Certification -

Cartridge Thermostatic

Check valve 0.5-10 gpm

Diverter Ceramic disc

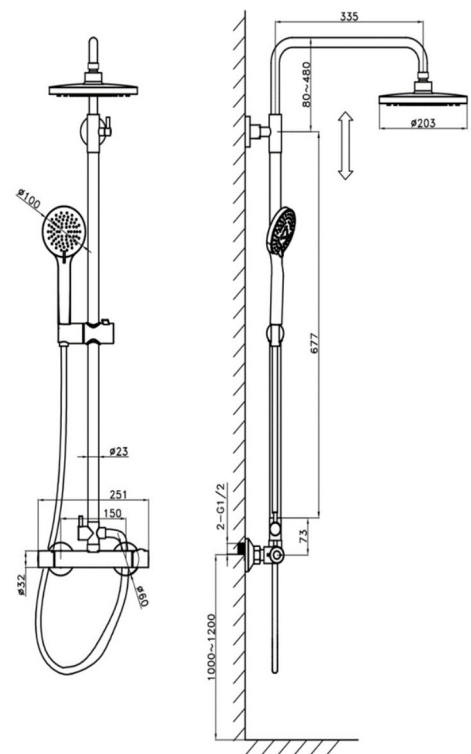
Fitting Escutcheon(S-unions)

Packaging 79 x 44 x 45cm / carton (5 boxes / carton)

Guarantee 10 years against manufacturing faults (excluding serviceable parts).

Additional Information

1. Thermostatic cartridge maintains showering temperature to +/- 1°C by compensating for changes in the incoming water temperature and pressure giving the stable outlet.
2. Automatic shut off in the event of hot or cold water supply failure.
3. Shower head : Chrome , Ø200mm, ABS
4. Shower handset : Chrome, ABS, 3 modes
5. Shower hose : 1.5m stainless steel
6. Telescopic adjustable height stainless steel shower rail.



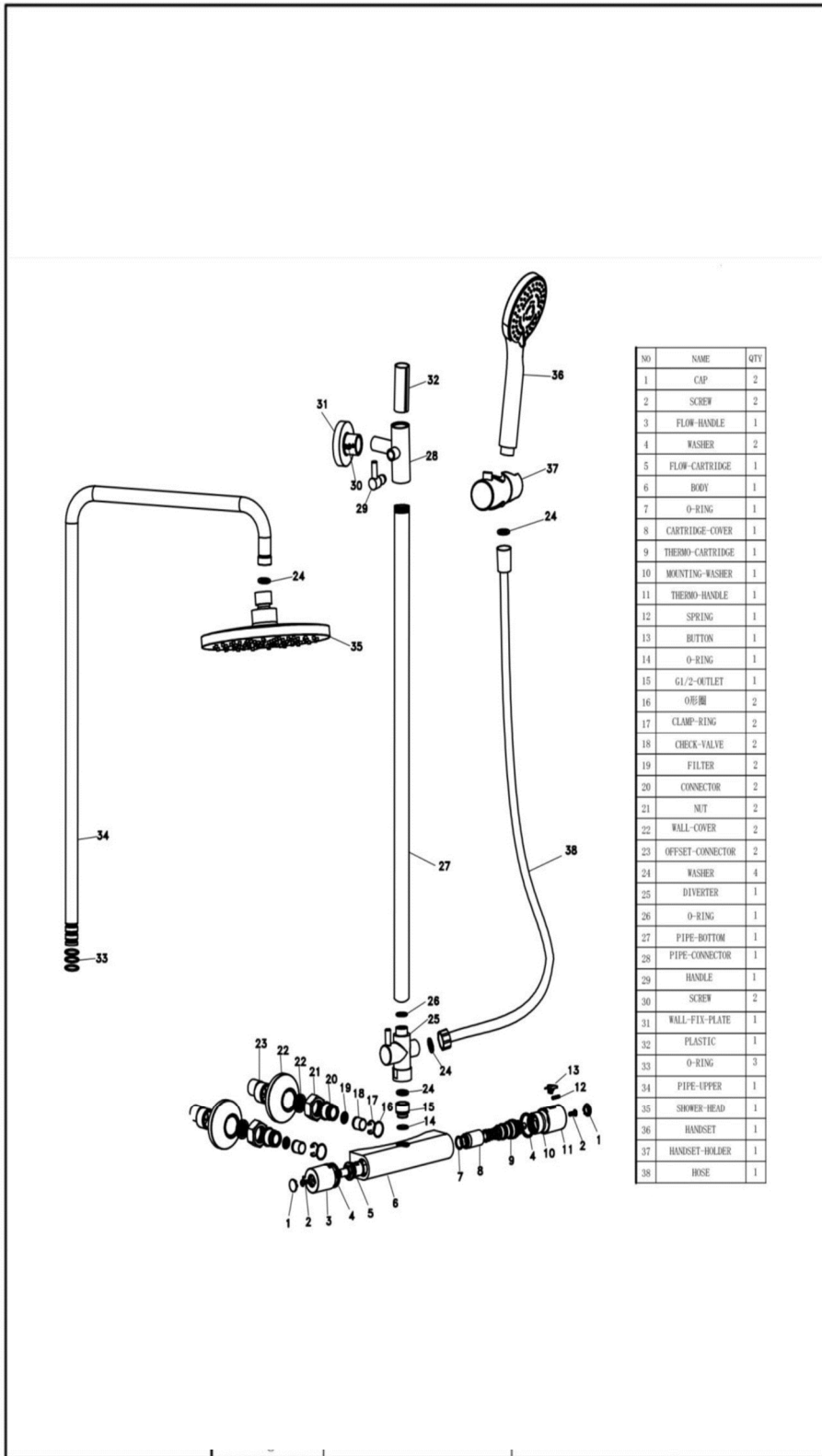
The information contained on this page was correct at the date of issue. Fitting dimensions are provided as a guide only. Some variation may occur due to manufacturing tolerances. We pursue a policy of continuing improvement in design and performance of our products and so reserve the right to change specifications without prior notice

FOR FURTHER ADVICE PLEASE CONTACT :-

SAGITTARIUS LTD UNIT 1 LOWER VICTORIA STREET—CHADDERTON—OLDHAM—OL9 9TU TEL:0616 6202029

EMAIL:TECHNICAL@SAGITTARIUSTAPS.CO.UK

SH/614/C EXPLOADED



The information contained on this page was correct at the date of issue. Fitting dimensions are provided as a guide only. Some variation may occur due to manufacturing tolerances. We pursue a policy of continuing improvement in design and performance of our products and so reserve the right to change specifications without prior notice

FOR FURTHER ADVICE PLEASE CONTACT :-
 SAGITTARIUS LTD UNIT 1 LOWER VICTORIA STREET—CHADDERTON—OLDHAM—OL9 9TU TEL:0616 6202029
 EMAIL:TECHNICAL@SAGITTARIUSTAPS.CO.UK