

SAGITTARIUS

TAPS & SHOWERING

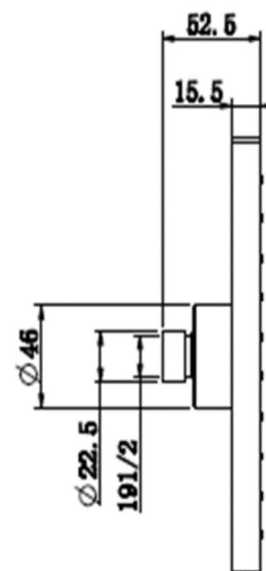
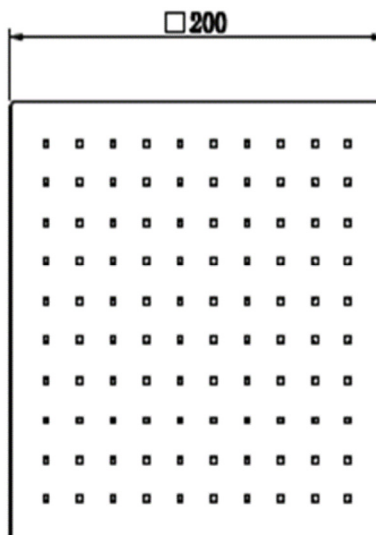
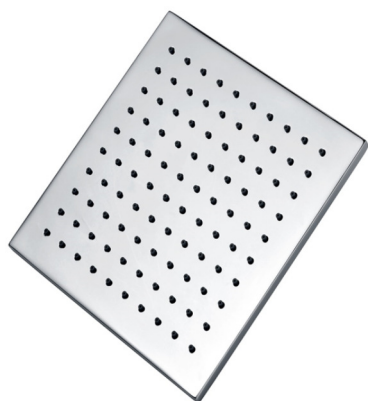
Construction ABS
Finishes Chrome
Product Type Contemporary

TRIESTE CUBE ABS 200mm
FIXED HEAD & ARM CHROME

Certification Manufactured to comply with CE
Fitting G1/2"
Packaging 47 x 37 x 45cm / carton (20 boxes / carton)
Guarantee 1 year against manufacturing faults (excluding serviceable parts).
Additional Information

1. Rub-clean rubber nozzle
2. 100% Chromed
3. Swivel connector
4. Size : 200X200mm

SH/386/C



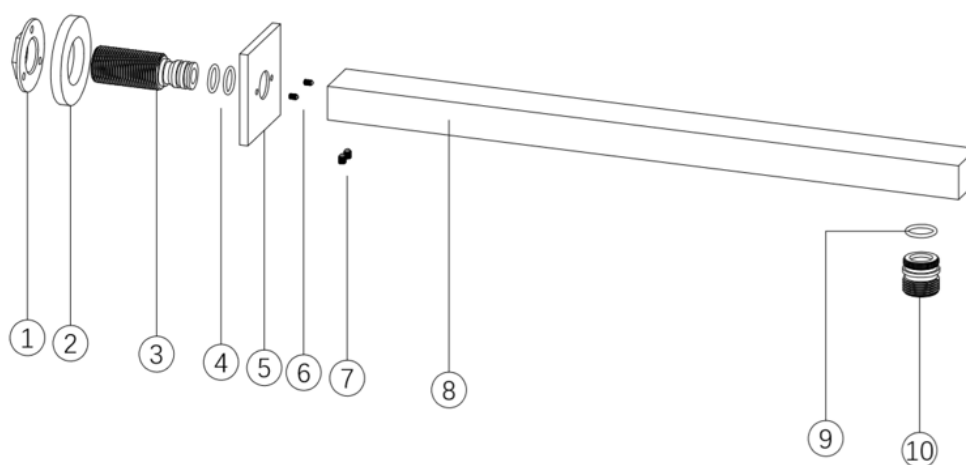
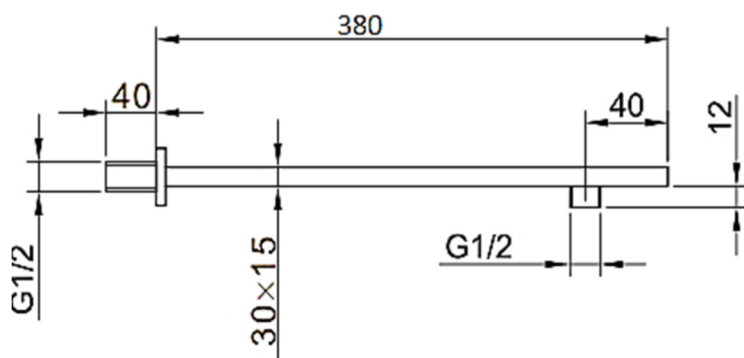
The information contained on this page was correct at the date of issue. Fitting dimensions are provided as a guide only. Some variation may occur due to manufacturing tolerances. We pursue a policy of continuing improvement in design and performance of our products and so reserve the right to change specifications without prior notice

FOR FURTHER ADVICE PLEASE CONTACT :-

SAGITTARIUS LTD UNIT 1 LOWER VICTORIA STREET—CHADDERTON—OLDHAM—OL9 9TU TEL:0616 6202029

EMAIL:TECHNICAL@SAGITTARIUSTAPS.CO.UK

Construction Brass Body (CuZn38Pb18)
Finishes Chrome plated to BS EN 248
Product Type Contemporary
Plumbing Systems Suitable for all plumbing systems
Certification -
Fitting G1/2" BSP
Packaging 73 x 48 x 37cm / carton (50 boxes / carton)
Guarantee 5 years against manufacturing faults (excluding serviceable parts).



No.	DESCRIPTION	QTY
10	SHOWER CONNECTOR	1
9	O-RING	1
8	BUDY	1
7	SCREW	2
6	SCREW	2
5	BASE PLATE	1
4	O-RING	2
3	CONNECTOR	1
2	WASHER	1
1	BACK NUT	1

The information contained on this page was correct at the date of issue. Fitting dimensions are provided as a guide only. Some variation may occur due to manufacturing tolerances. We pursue a policy of continuing improvement in design and performance of our products and so reserve the right to change specifications without prior notice

FOR FURTHER ADVICE PLEASE CONTACT :-
 SAGITTARIUS LTD UNIT 1 LOWER VICTORIA STREET—CHADDERTON—OLDHAM—OL9 9TU TEL:0616 6202029
 EMAIL:TECHNICAL@SAGITTARIUSTAPS.CO.UK