

SAGITTARIUS

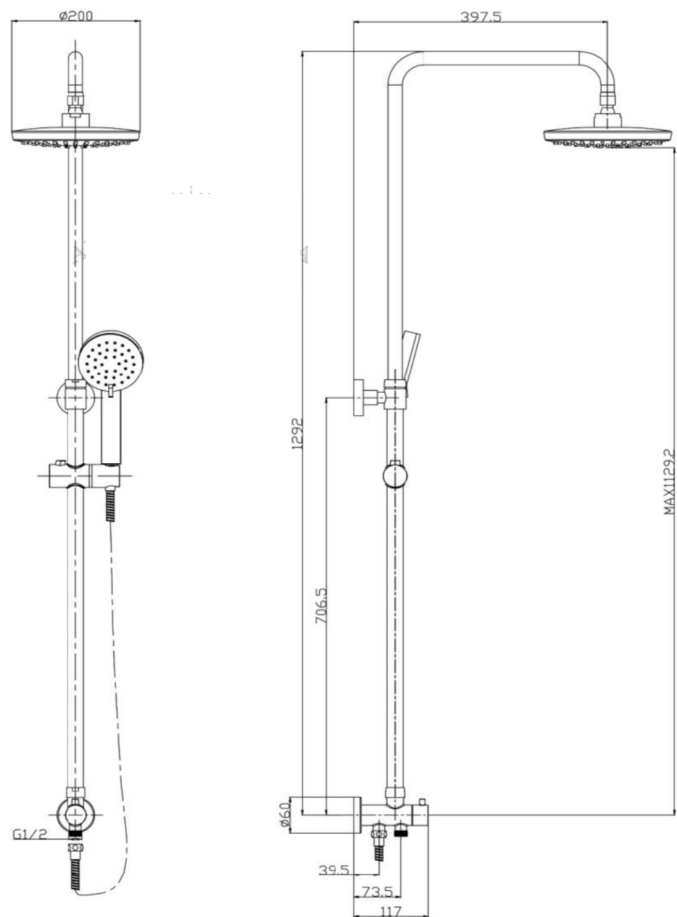
TAPS & SHOWERING

Finishes	Brass Body (CuZn38Pb18)
Product Type	Chrome plated to BS EN 248 Contemporary
Standards	Complies with BSEN 1111
Certification	-
Cartridge	1/4 Turn 1/2" Ceramic Disc Divertor Cartridge
Fitting	3/4" BSP
Packaging	92 x 40 x 68cm / carton (5 boxes / carton)
Guarantee	10 years against manufacturing faults (excluding serviceable parts).
Additional Information	1. Shower head : Chrome , Ø200mm, ABS 2. Shower handset : Chrome , ABS, 3 mode 3. Shower hose : Stainless steel , 1.5m & 1.0m 4. Stainless steel adjustable riser rail

TROPIC RIGID RISER

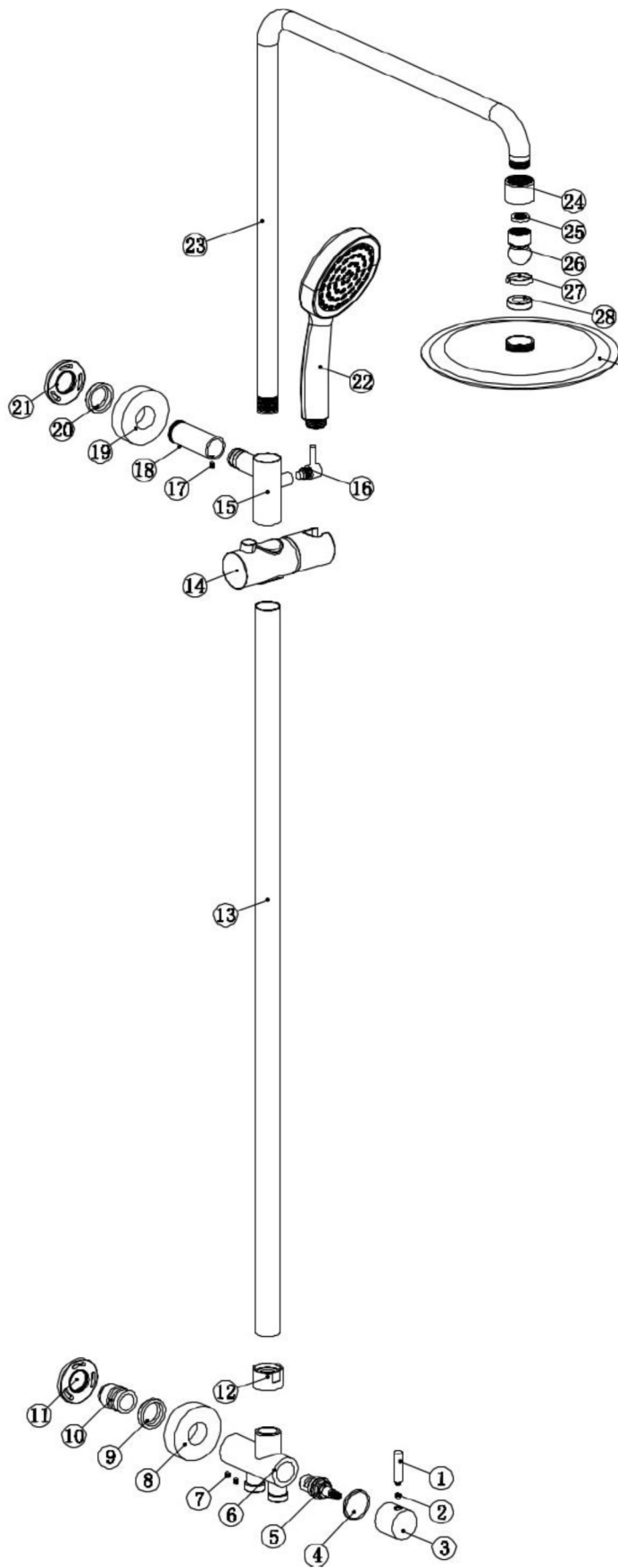
CHROME

SH/675/C



The information contained on this page was correct at the date of issue. Fitting dimensions are provided as a guide only. Some variation may occur due to manufacturing tolerances. We pursue a policy of continuing improvement in design and performance of our products and so reserve the right to change specifications without prior notice

FOR FURTHER ADVICE PLEASE CONTACT :-
SAGITTARIUS LTD UNIT 1 LOWER VICTORIA STREET—CHADDERTON—OLDHAM—OL9 9TU TEL:0616 6202029
EMAIL:TECHNICAL@SAGITTARIUSTAPS.CO.UK



No	Name	Qty
29	Shower head	1
28	Washer	1
27	Clamp ring	1
26	Ball connector	1
25	Filter	1
24	Nut	1
23	Riser Rail	1
22	Handset	1
21	Fixing plate	1
20	O Ring	1
19	Wall plate	1
18	Connector	1
17	Grub	1
16	Tighting handle	1
15	Rail connector	1
14	Handset holder	1
13	Rail	1
12	Rail nut	1
11	Fixing plate	1
10	Connector	1
9	O Ring	1
8	Wall plate	1
7	Grub	2
6	Diverter	1
5	Diverter cartridge	1
4	O Ring	1
3	Handle	1
2	Grub	1
1	Handle lever	1