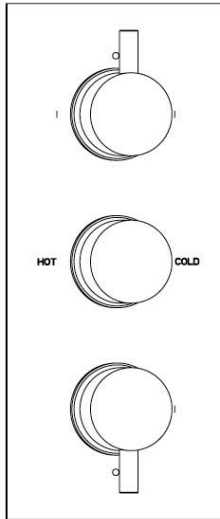


SAGITTARIUS

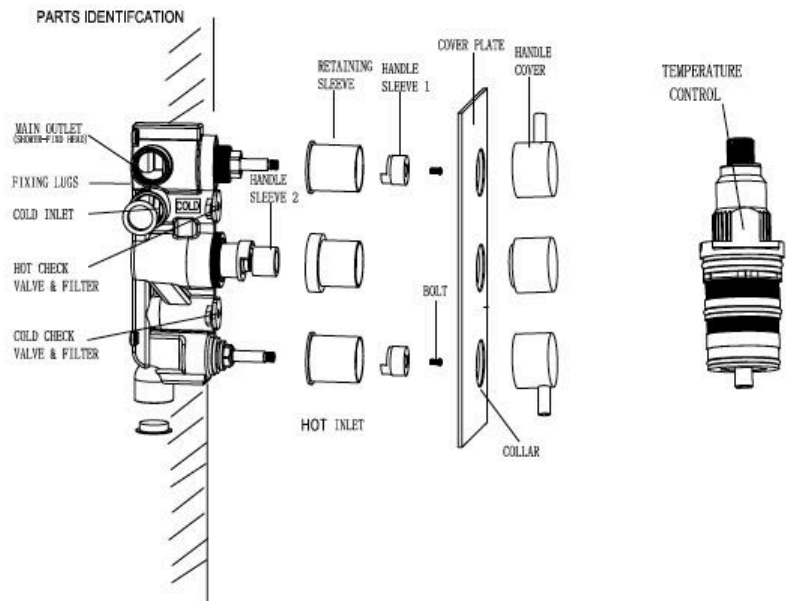
MODEL 277



INTRODUCTION

Please read these instructions carefully and keep in a safe place for future reference. This thermostatic valve is suitable for use with all water systems up to a maximum operating pressure of 5.0 bar (beyond which we recommend a pressure-reducing valve to be fitted). The outlets are controlled by a flow control divert cartridge.

PARTS IDENTIFICATION



SAGITTARIUS

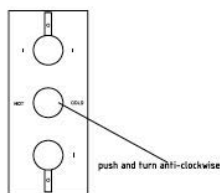
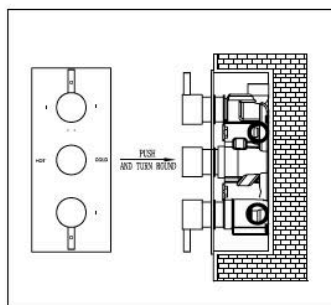
Unit 1 Lower Victoria Street, Chadderton, Oldham, OL9 9TU.
Telephone: 0161 620 2029 Fax: 0161 628 7102
Email: sales@sagittariustaps.co.uk

SAGITTARIUS

TEMPERATURE SETTING

The thermostat factory set . To ensure correct operation check the temperature of the water running .

To set the temperature . Turn round the handle (clockwise for cold , and anti-clockwise for hot) until the maximum desired showering temperature is set (38°C-suggested maximum "pre-set "temperature) .



When the arrow point to 38 mark, Push the handle and turn anti-clockwise, till the arrow point to 45 mark, the temperature will attain to 45° C. and anti-process the temperature can be decreased (see figs).

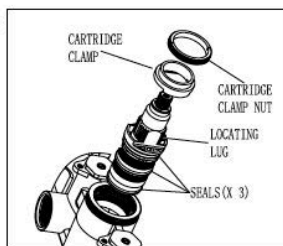
MAINTENANCE

Note: To avoid damage , please remove all chrome parts before any maintenance takes place

THERMOSTATIC CARTRIDGES

The concealed thermostatic cartridge should give trouble free service , but in the event of failure , servicing is straight forward .

To remove the thermostatic cartridge



Undo the cartridge clamp nut (take note of the orientation of the cartridge) and take the cartridge clamp and pull the cartridge out using the temperature control handle to aid removal.

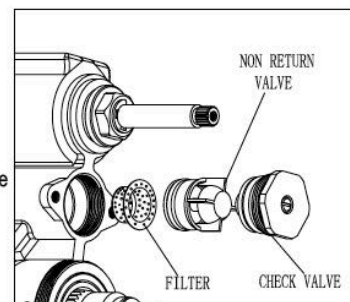
Wash the cartridge with clean running water and make sure that any trapped debris has been removed . Dry and lightly grease the seals (only use silicone grease) and replace the cartridge, making sure that the locating lug is located in the recess of the valve.

MAINTENANCE

FILTERS / CHECK VALVES

The Check valves stop cross flow between the hot and cold supplies

To clean the Check valves . Undo and remove the Check valve . Using a pair of pliers to remove the Non return valve and filter . Wash the filter with clean running water , dry and lightly grease the seals



CARE OF YOUR SHOWER VALVE

We recommend cleaning the valve with a soft damp cloth . We strongly advise against the use of ALL cleaning products .

TROUBLE SHOOTING

SYMPTOM	SOLUTION
Shower will not run hot enough when first installed	Maximum temperature needs adjusting , see 'temperature setting'
Cold water tracking through the valve into the hot water system	Check and clean the check valve cartridges and filters located under the check valves
Very low flow or no flow (gravity)	Check hot and cold feeds (the valve will shut down if either the hot or cold supply fails).

Sagittarius Limited
Unit 1, Lower Victoria Street
Chadderton
Oldham
OL9 9TU

Tel: 0161 620 2029 Fax: 0161 628 7102
Email: sales@sagittariustaps.co.uk
www.sagittariustaps.co.uk

SAGITTARIUS

Unit 1 Lower Victoria Street, Chadderton, Oldham, OL9 9TU.
Telephone: 0161 620 2029 Fax: 0161 628 7102
Email: sales@sagittariustaps.co.uk