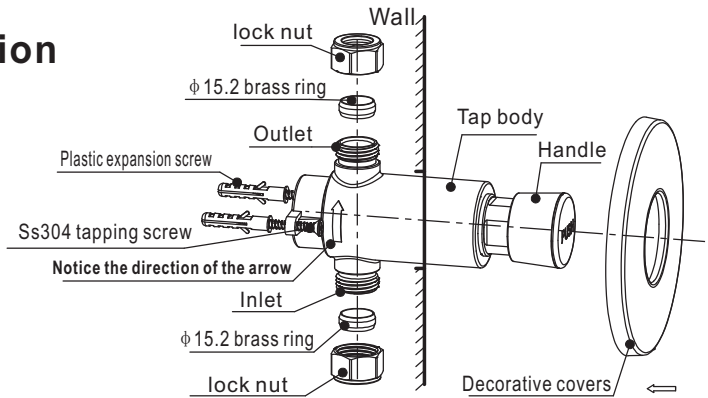
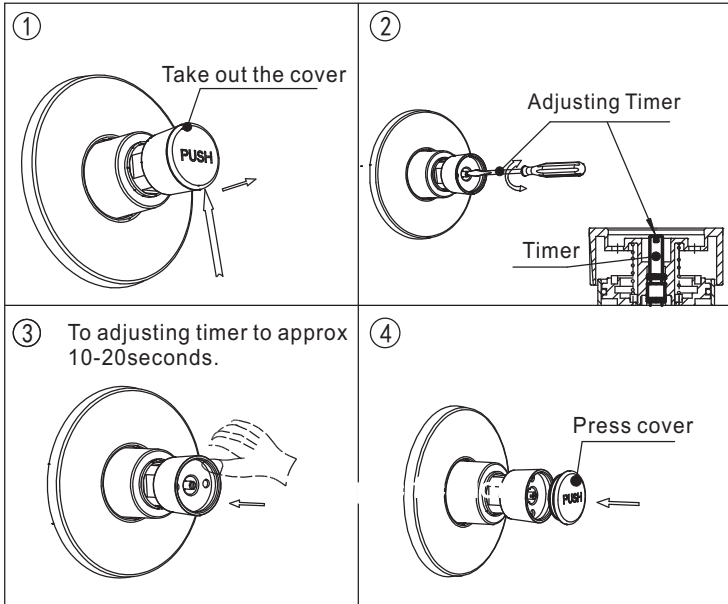


Installation and Maintenance instruction

Technical Information:

- Flow Rate: 0.24L/S in 10 Sec / 2 Bar
- Max. Working Pressure: 6 Bar
- Min .Working Pressure: 0.2-0.3 Bar.
- Cut Off Times : 10-30 Sec / 2Bar
- Max Working Temperature: 60 Degrees Celcius Between Max.

Note: Follow below steps for adjust shut water time.



Follow the steps below for regular clean or maintenance !

