

SANISHOWER® +



Product Ref: 6043

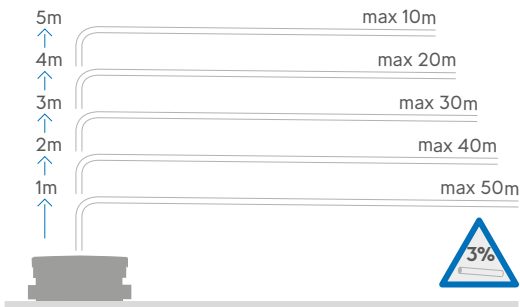
The Sanishower + can be installed next to a shower tray with access for maintenance. Capable of pumping a standard electric or gravity mixer shower. Two inlets mean a wash basin can be added too.

NEW

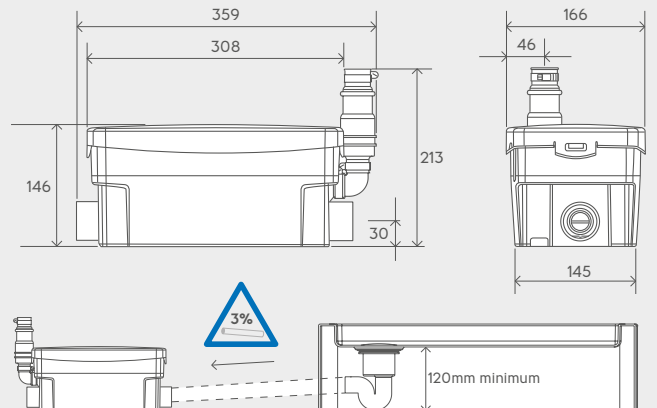
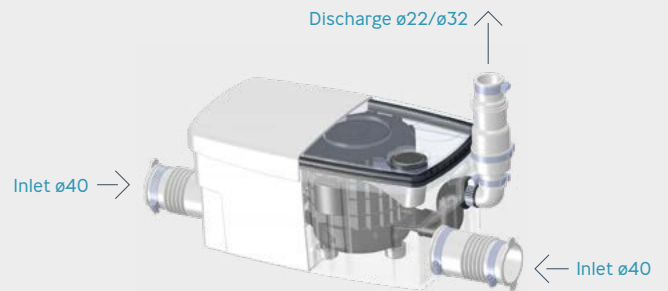
Why choose this product?

- Overcomes gravity drainage issues
- Allows basement showers
- Can be fitted next to shower tray
- Additional inlet for basin
- Includes integrated carbon filter
- Low activation level (65mm)

Vertical/horizontal performance



Up to 5 years warranty



Discharge Pipework
22 / 32mm

Product Weight
3.5kg

Motor Power
400 Watts

Inlet Pipework
40mm

Voltages
220-240 V/50 Hz

IP Rating
IP44

Working Waste Water Temp
35°C

Activation Level
65mm



Discharge height (m)

