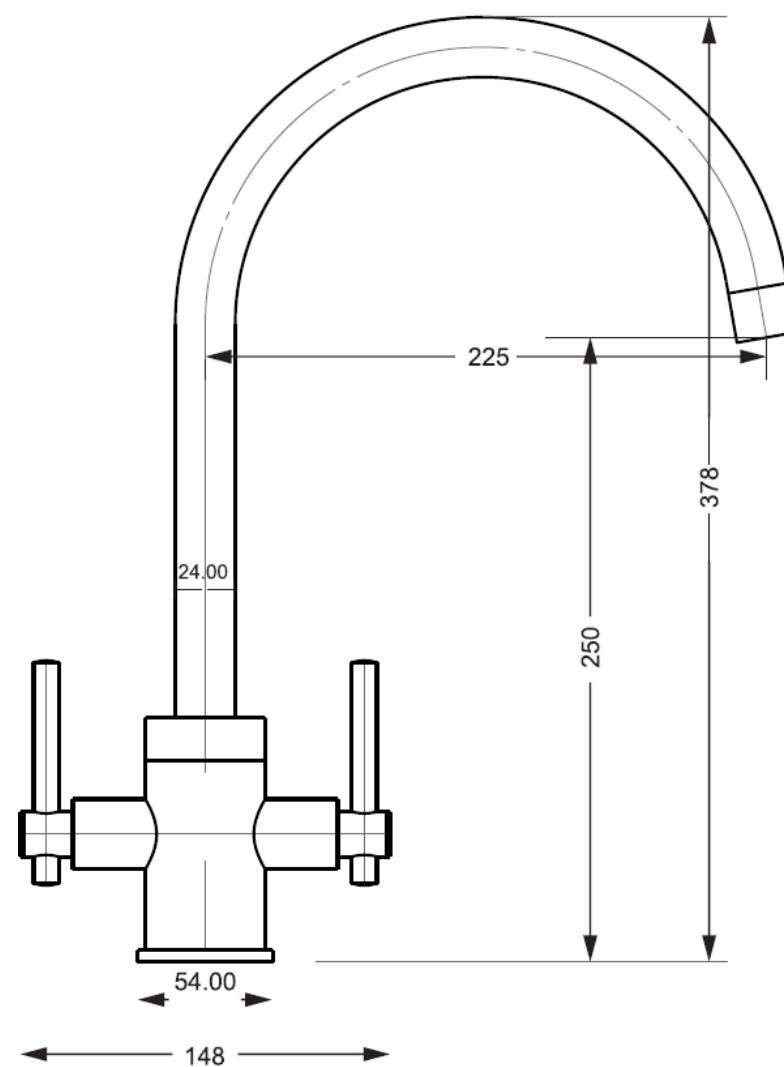


Product Data Sheet



Prima Code	BPR702
Description	Swan Neck Dual Lever Mixer Tap
Colour	Grey
Material	Brushed steel
Features	Aerator
Minimum Pressure	0.3 bar
Maximum Pressure	5 bar
Spout Type	Swivel
Operation	Quarter turn
Spout Reach(mm)	225
Spout Height (mm)	250
Product Height (mm)	378
Base/Handle Width (mm)	148
Base Diameter (mm)	54
Tap Hole requirement (mm)	30
Guarantee	5 years
WRAS approved (/certificate)	WRAS Certification