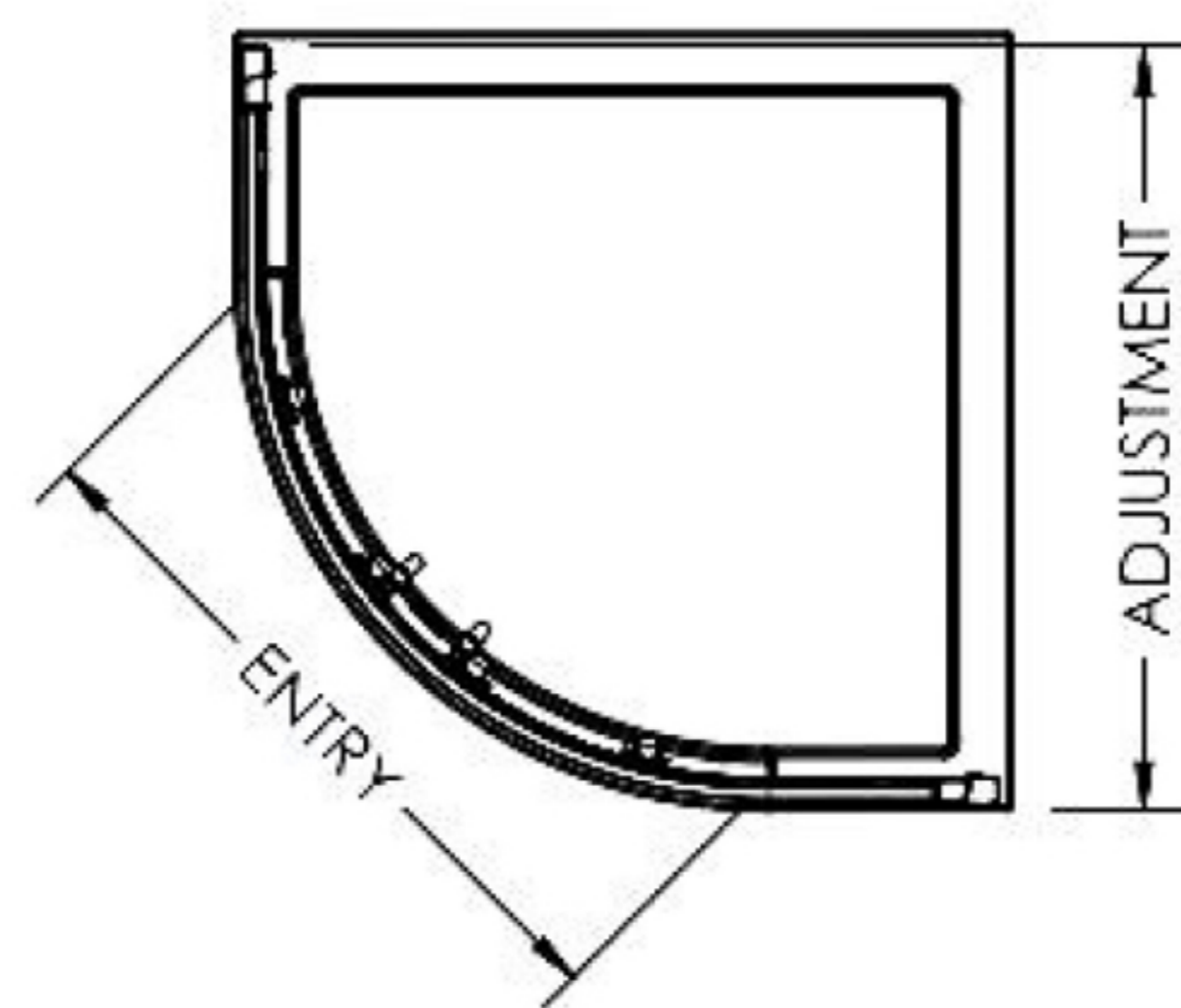
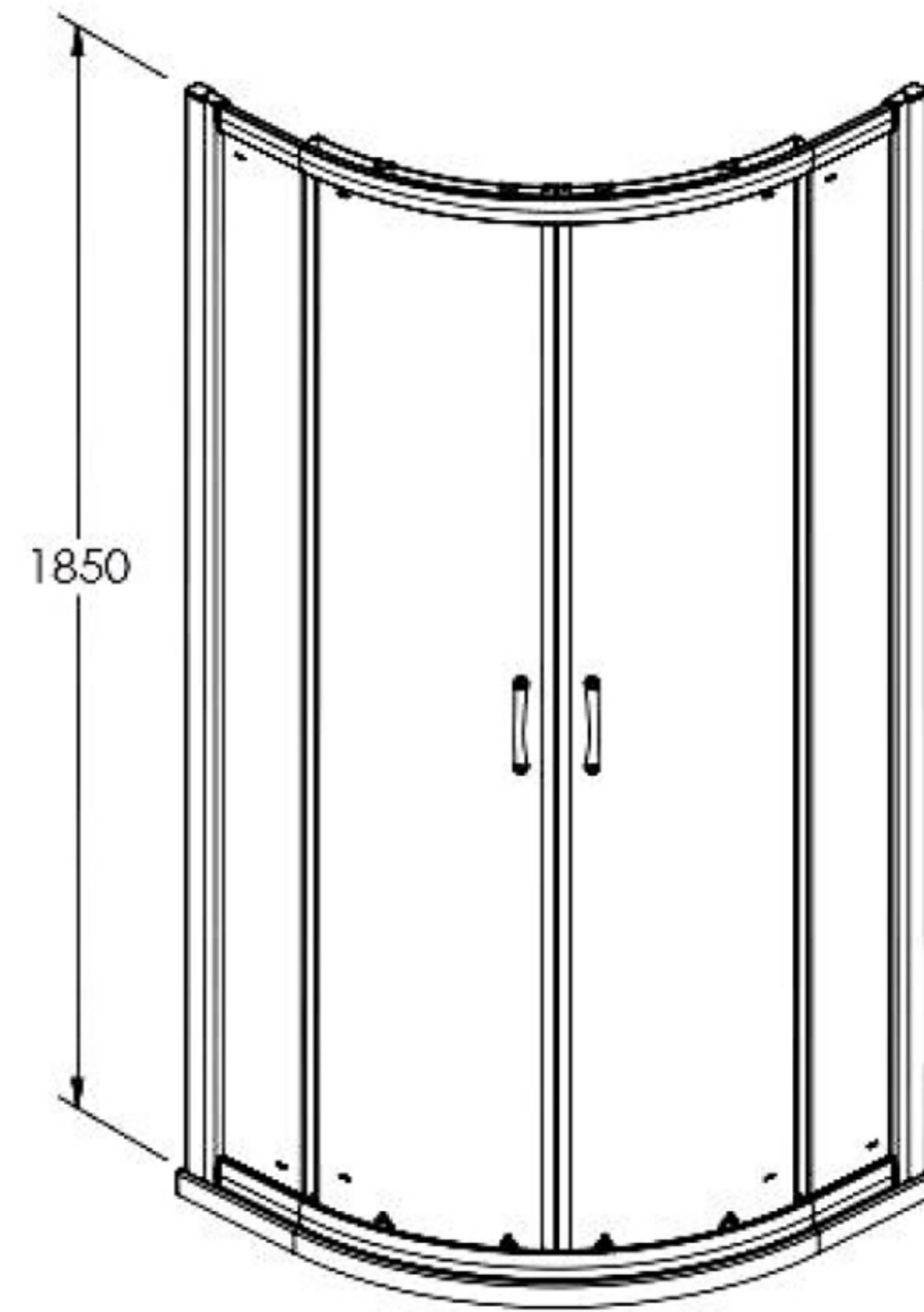




Ella Quadrant Enclosure



Product Dimensions

Height (mm):	1850
Width (mm):	885
Depth (mm):	885
Nett Weight (kg):	35

Packaging Dimensions

Height (mm):	1910
Width (mm):	410
Length (mm):	110
Gross Weight (kg):	35

Packaging Data

Box Colour:	Brown Cardboard Box - Printed
Box Qty:	1
Label Size:	100 x 50
Label Colour:	Not Applicable
Label Qty:	0

Outer Box Dimensions (If Applicable)

Height (mm):	
Width (mm):	
Depth (mm):	
Length (mm):	
Gross Weight (kg):	
Barcode:	

Product Details

Country of Origin:	China
Fitting Instruction:	No
CE Approval:	Yes
Profile Material:	Aluminium
Profile Finish:	Satin Chrome
Adjustments (mm):	865mm - 885mm
Entry Width (mm):	530mm
Swing In Dim (mm):	N/A
Swing Out Dim (mm):	N/A
Radius (mm):	538 mm
Glass Thickness (mm):	5
Easy Fit:	Yes
Easy Clean:	No
Handle Style:	D Shape Handle
Handle Material:	Plastic
Enclosure Design:	Framed
Wheel Type:	Plastic, Dual, Qucik Release
Support Bar Included:	Support Bar Not Included
Extras:	None