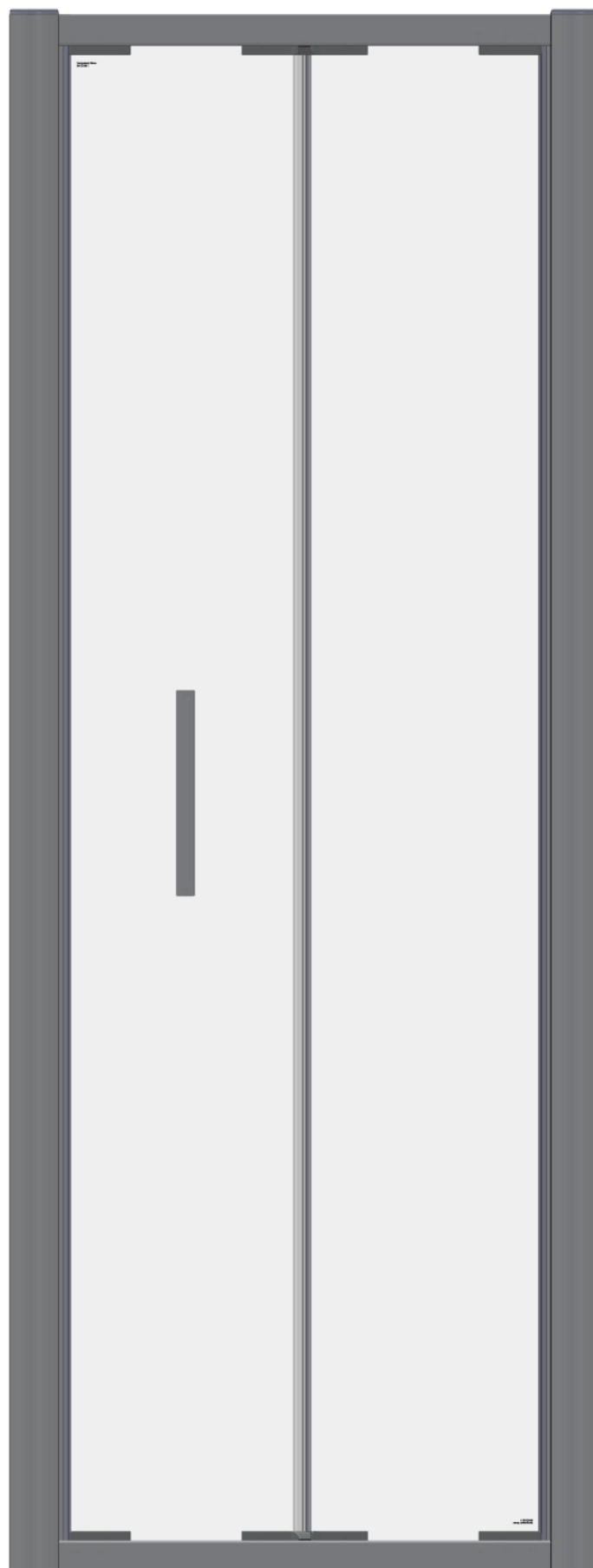


# COASTLINE BIFOLD DOOR

## Installation / Maintenance Instructions

Rev 06.14



**Lakes**  
Bathrooms

SUPERIOR AS STANDARD

## **IMPORTANT NOTES :**

Please Read Carefully & retain these instructions for Future Reference.

1. For ease & safety we advise that two persons assemble this product.
2. Protect shower tray surfaces at all times.
3. Exposed glass corners / edges MUST NOT contact hard surfaces at any time.
4. Check for cables, pipes etc before drilling walls.
5. Ensure all surfaces are dry, clean & free of loose debris / dust.
6. Unpack goods with care (small parts can become lodged in packaging & inadvertently discarded). Check parts supplied against parts & fittings listed herein. Damaged parts / omissions may be resolved by calling Lakes Bathrooms Helpline.
7. Whilst precautions are taken in manufacture, care must be taken when handling as rail ends may have sharp edges.
8. Before commencing, check :
  - a) shower tray (or base) is level & completely sealed to finished / tiled walls.
  - b) finished walls are sound & free of cracks, loose tiles / grout.
8. AFTER INSTALLATION, DO NOT 'WET' ENCLOSURE FOR 48 HOURS TO ENSURE FULL CURE OF SILICONE SEALANT.

## **USE :**

### **General Care & Maintenance.**

Provided this product is installed & operated in accordance with these instructions, problems should not arise. However should maintenance be required it should be carried out by a competent person with reference to these instructions. Before any work is carried out the root cause of the problem must be identified. Lakes Bathrooms service engineers are available if necessary to consult / carry out remedial work. Call Lakes Bathrooms HELPLINE.

### **Cleaning.**

(Every one to two weeks depending on local water {hardness} conditions).

All glass panels in this product have a hydrophobic coating aiding 'runoff' of water droplets, reducing the need for frequent cleaning. For best appearance / product life however, regular cleaning is recommended.

Use ONLY mild soap / detergent solutions to clean. Rinse with water, squeegee glass panels & wipe frames dry with a soft cloth. Under no circumstances should abrasive, caustic or scouring products be used. Cleaning products should have pH value 4 ~ 8. DO NOT use 'spray & leave' type cleaning products. Non compliance with these cleaning instructions may cause decorative finishes to deteriorate & could adversely affect safe operation of the enclosure.

Limescale ~ should a build up of limescale occur, remove using a 50:50 solution of white vinegar & water applied with a soft cloth & rinsed / dried thoroughly afterwards.

### **Daily Care.**

To prevent the build up of limescale, do not allow water droplets to dry on glass or frames. After showering, rinse with water, remove droplets from glass with a squeegee & wipe frame with a soft cloth.

### **Customer Service.**

Quality Guarantee : Lakes Bathrooms Ltd guarantee Shower Doors & Enclosures against any manufacturing or material defects for the lifetime of the product. We will resolve defects free of charge by repairing / replacing parts as we feel necessary. To be 'free of charge' service work must be carried out by Lakes Bathrooms or approved agents.

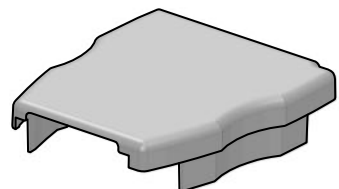
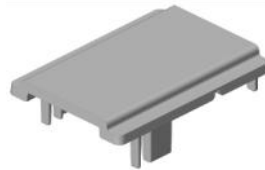
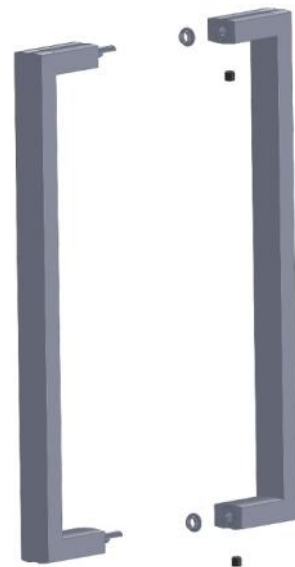
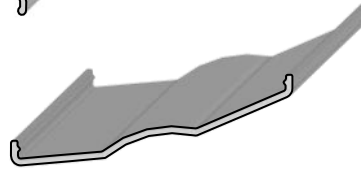
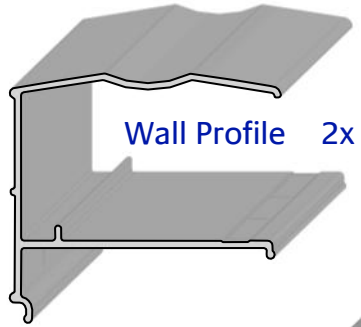
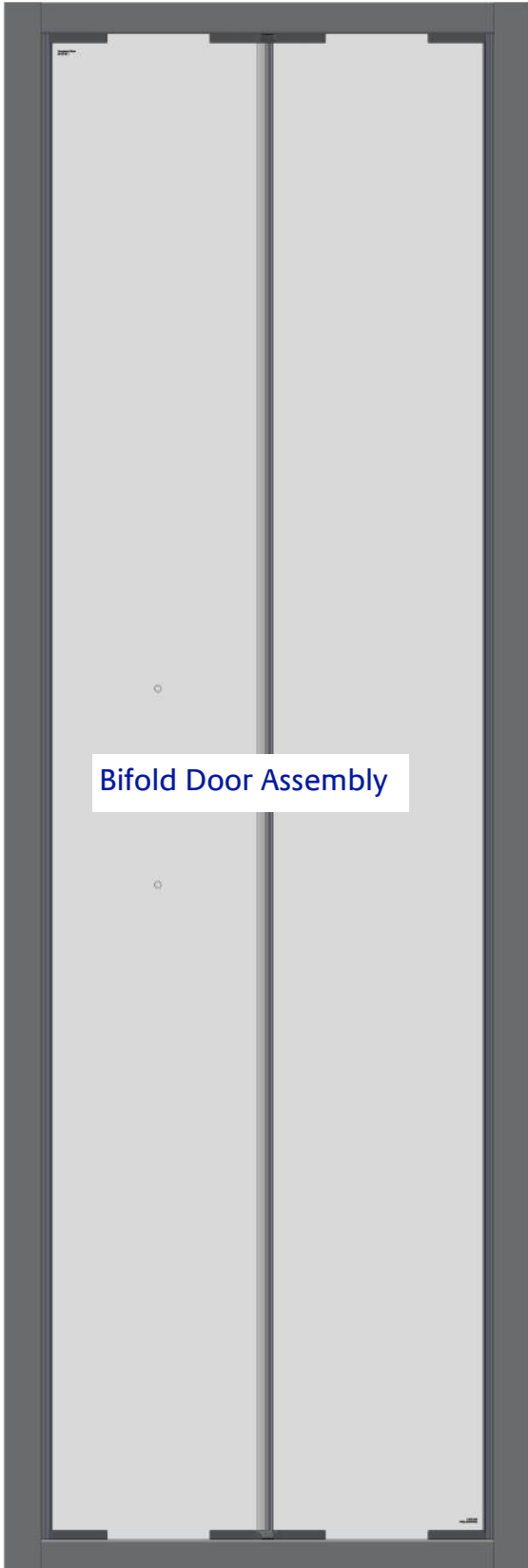
Not Covered by this Guarantee : Damage or defects that result from improper installation, improper use, or lack of maintenance (including limescale buildup). Damage or defects that result from repairs / modifications undertaken by unauthorized persons. This guarantee is in addition to statutory & other legal rights.

What to do if something goes wrong : Should the product not function correctly on initial use, firstly, contact the installer to check that unit installation & commissioning are in accordance with these instructions. Should this not resolve difficulties or should performance decline, consult 'Troubleshooting' section to see if simple home maintenance is needed. Alternatively our HELPLINE staff can assist, or if necessary arrange for a service engineer to visit.

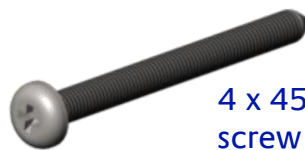
Spares : We maintain extensive spare part stocks. Spares can be ordered / purchased from your retailer in the first instance. Parts will normally be dispatched within two working days from order placement.

Pro Forma invoices will be sent for cheque payments.

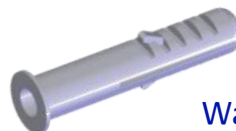
**SUPPLIED PARTS :**



**3,5 x 10 pan head self tapping screw 8x**



**4 x 45 pan head self tapping screw 8x**



**Wall Plug 8x**

SIZE	Adjustment Range A
700 (070)	660—720mm
750 (075)	720—780mm
800 (080)	760—820mm
900 (090)	840—900mm
1000 (100)	940—1000mm

The diagram shows a cross-section of the bifold door assembly. A horizontal dimension line labeled 'A' spans the width of the door's internal frame. The door panels are shown in a partially open position, with a dashed line indicating the path of the door's movement.

**Tools Required**

- Spirit Level (with vertical 'bubble')
- Tape Measure
- Pozidriv Screwdriver
- Power drill & 8mm masonry bit
- Pencil
- 3mm Hexagon (Allen) Key
- 3mm HSS drill bit
- Good quality silicone sealant & applicator

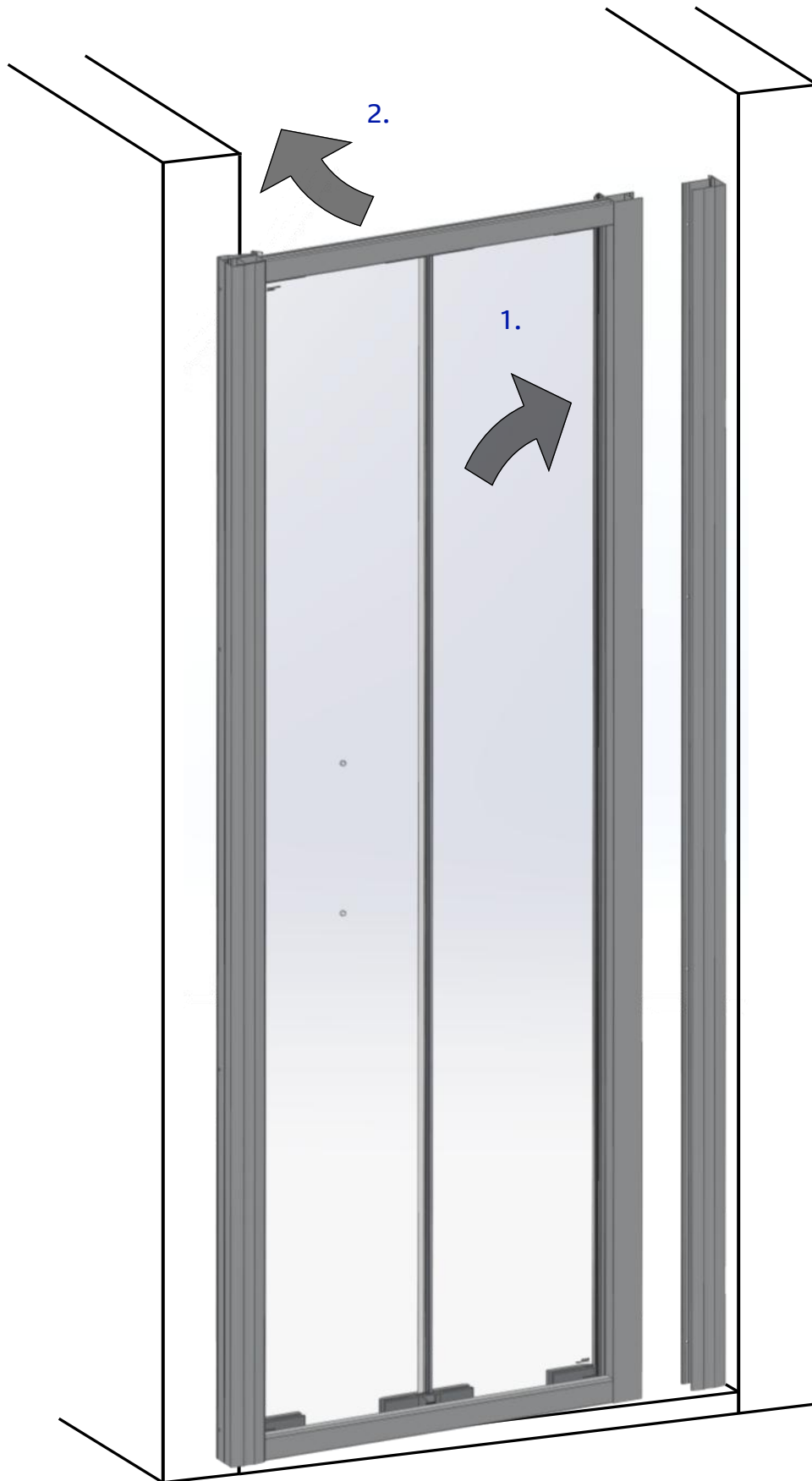
Lakes Coastline Bifold Door is fully reversible, so suitable for fitting with hinge to left or right hand side of enclosure. Ensure tray is correctly levelled & that all tray/wall joints are sealed & cured over entire length of tray sides (See - - - - Fig A) prior to fitting enclosure. **DO NOT SEAL BASE / WALL EDGES UPTO A FITTED ENCLOSURE !**

**(A) AFFIX WALL PROFILE**

The diagram shows a 3D perspective of the enclosure with a wall profile being attached to the side wall. A hand is shown using a pencil to mark the wall. Two inset diagrams show the process of drilling a hole into the wall and inserting a plug. The distance between the wall profile and the enclosure wall is indicated as 10-15mm.

Wall profile orientation : Mounting holes to inside (wet area).  
 Measure, plumb & mark wall profile positions, drill, plug & affix 1 wall profile only at this time.

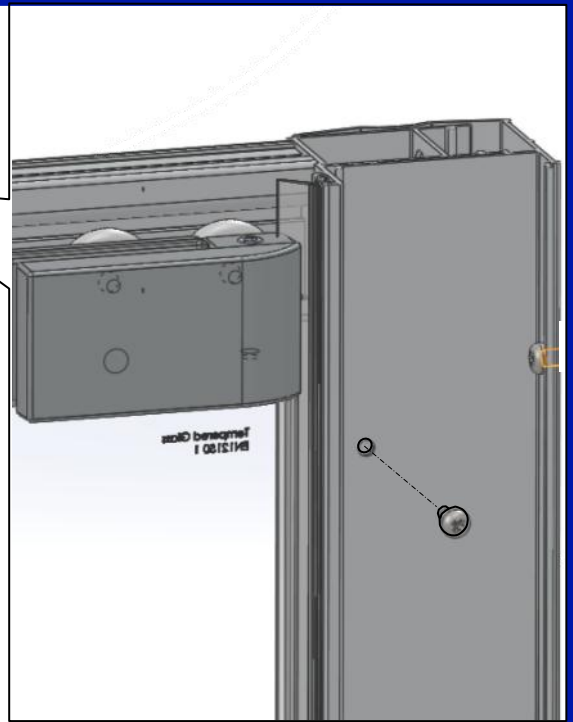
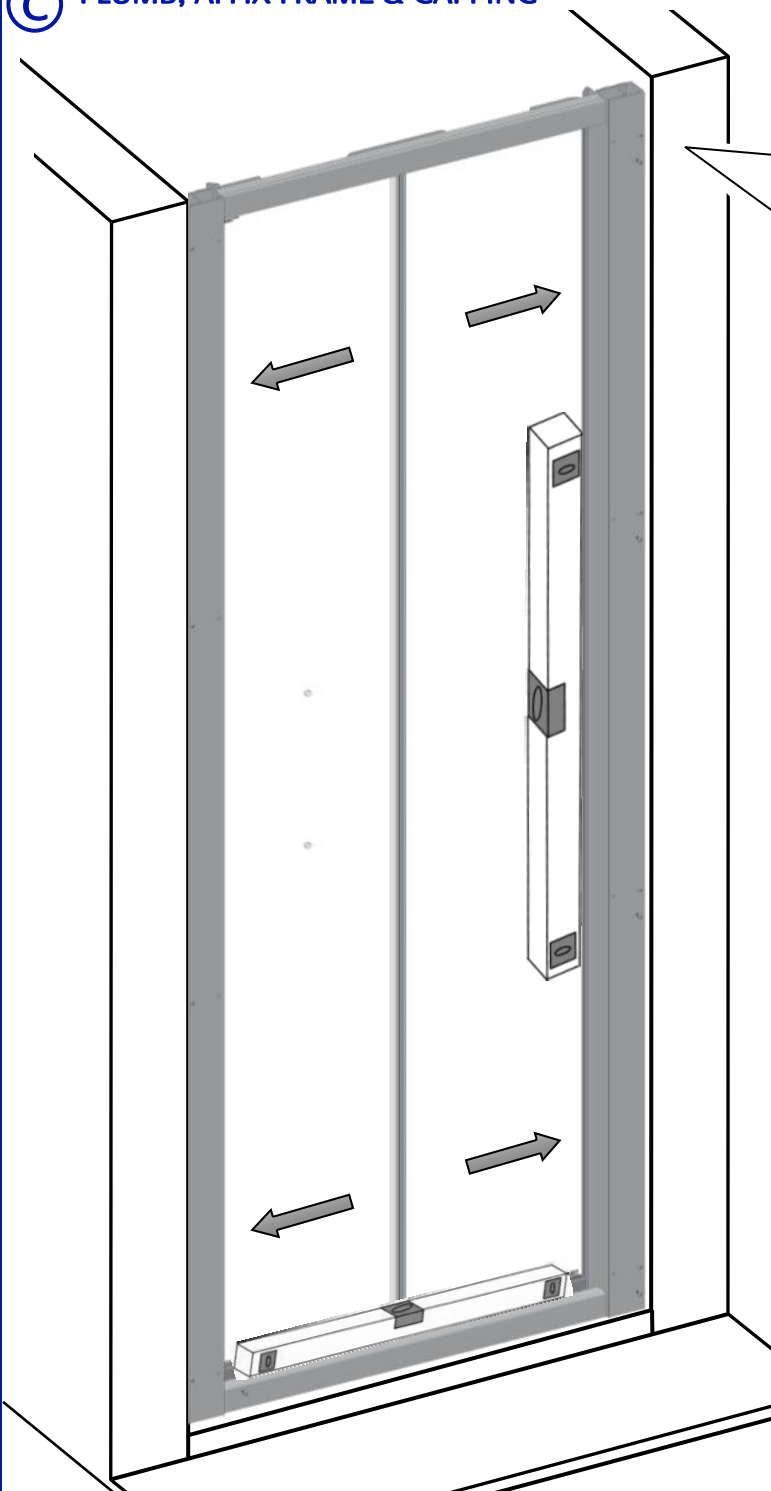
**B** INSERT DOOR



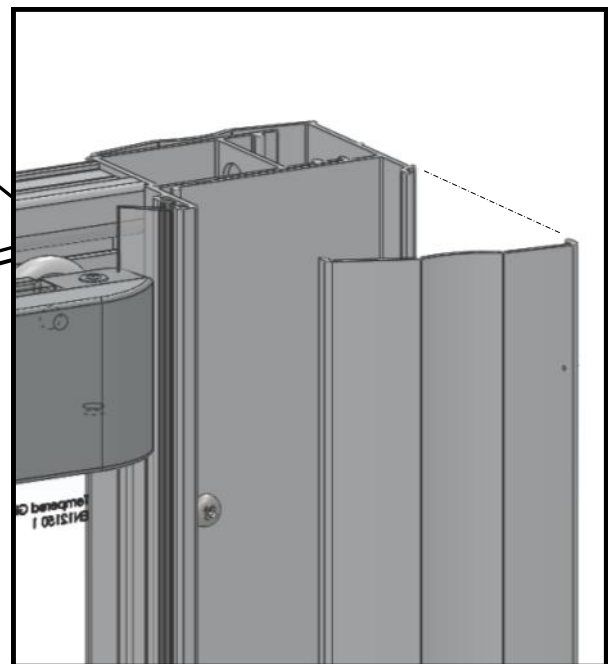
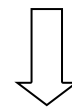
With 2nd wall profile fitted to frame:

1. Carefully lift door onto tray & push into fixed wall profile.
2. At loose side, push back, re-align & affix wall profile to wall using 4 x 45 long screws.

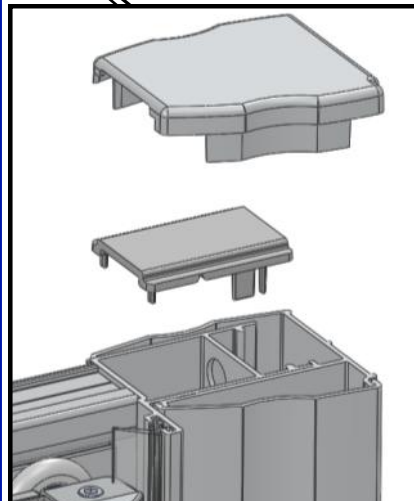
**© PLUMB, AFFIX FRAME & CAPPING**



Manipulate & centralise frame in wall mounts until plumb (check vertical & horizontal frame members).  
With frame in desired position, from inside enclosure, using wall profile holes as a guide, drill dia 3mm pilot holes & affix frame to wall mounts with 4 off 3,5 x 10 self tapping screws with 4 off 3,5 x 10 self tapping screws per side (8 total).

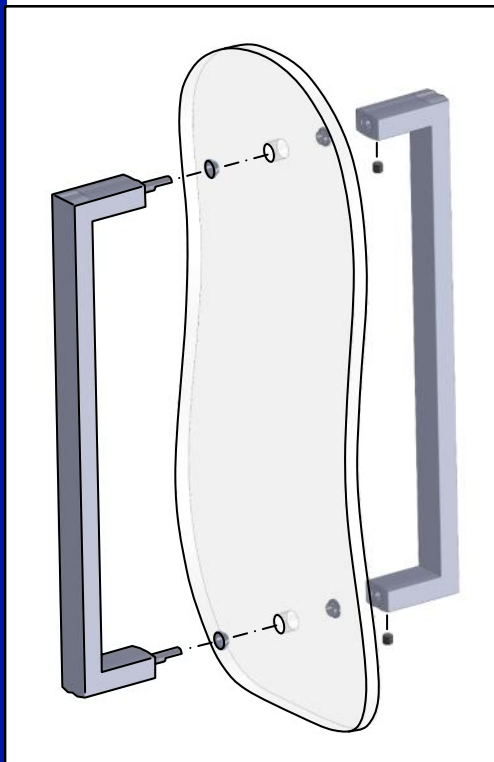


Align top of cover section to top of wall mounts & working from top down, press (snap) covers onto wall mounts.

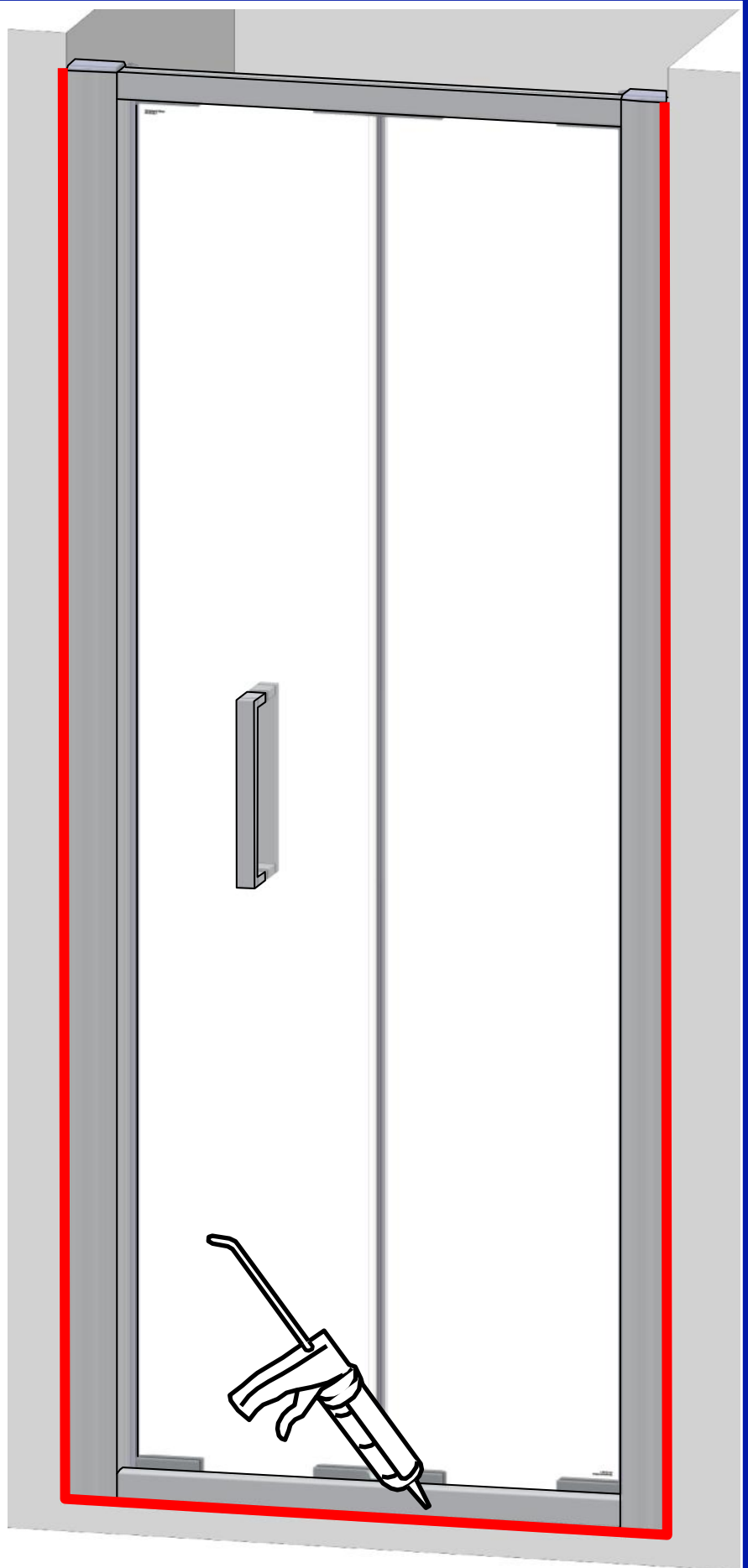


Fit profile cover caps.

**D** FIT HANDLE & SEALING



Assemble handle to glass as shown (handle with pins to outside). Ensure plastic washers are fitted each side beneath handles.



Use of good quality silicone sealant & cleaning / degreasing of all joint areas is recommended.

Apply continuous silicone sealant bead **EXTERNALLY ONLY**

## BASIC TROUBLESHOOTING :

### Leakage :

The sealing method described in these instructions relies on a continuous seal being applied between shower walls & tray before installing the enclosure (see fig A), it ensures a watertight seal around the perimeter of the enclosure to the shower walls & tray.

In the unlikely event of an enclosure leak, water will be visible on the outside of the enclosure itself, or around the perimeter joints ONLY. Water / moisture appearing outside this area (ie at floor level) is normally due to incorrect tray installation.

The foam seal provided on the wall profile will tolerate most grouted joints. If excessively deep joints are present, & leakage does occur, additional silicone sealant may be applied over full length of wall profile / wall joints.

### Door motion noisy / door not running smoothly :

Check that the wheels are correctly engaged on tracks & check plumb/level of frame & door alignment, adjust frame if necessary (ref fig C).

Door wheels are factory greased, however over time this may disperse or become contaminated by dust etc, cleaning of tracks & re application of sanitary silicone based grease will restore & ensure smooth door motion.



SUPERIOR AS STANDARD

### Lakes Bathrooms Ltd

Alexandra Way  
Ashchurch  
Tewkesbury  
Gloucestershire GL20 8NB

Service England, Scotland, Wales

8.30am—5pm Mon ~ Thurs

8.30am—4.30pm Fri

Tel / HELPLINE : 01684 853870

Fax : 01684 857411

[www.lakesbathrooms.co.uk](http://www.lakesbathrooms.co.uk)

Email : [admin@lakesbathrooms.co.uk](mailto:admin@lakesbathrooms.co.uk)

Service : Northern Ireland

Ian A Kernohan

Firtrees

Green Way Industrial Estate

Conlig

Northern Ireland

BT23 7SU

8.30am—5pm Mon ~ Thurs

8.30am—4.30pm Fri

Tel : 02891 270233

Fax : 02891 270597

Email : [info@iakonline.co](mailto:info@iakonline.co)