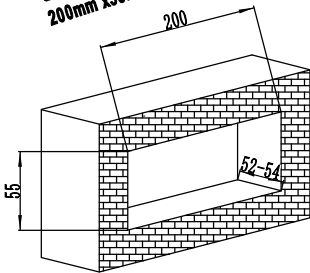
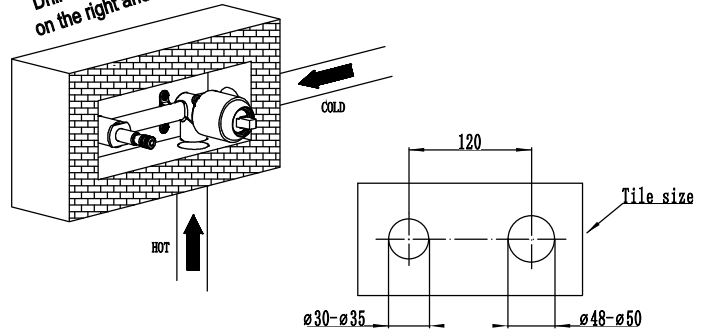


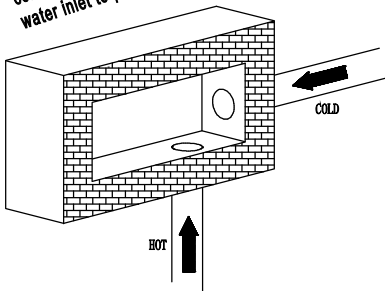
Step1:
 Determine the fixing position for the faucet body. Make a groove in the wall according to the faucet body. The dimension of the groove should be 200mm x55mm.



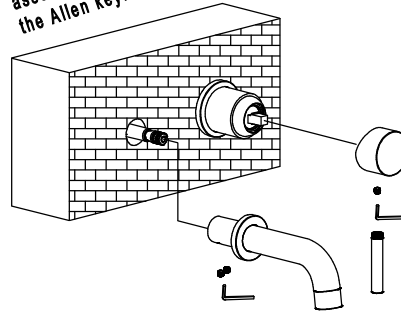
Step 4:
 Mount the mixer body.
 Drill the tile as per the dimension on the right and fit it on the wall.



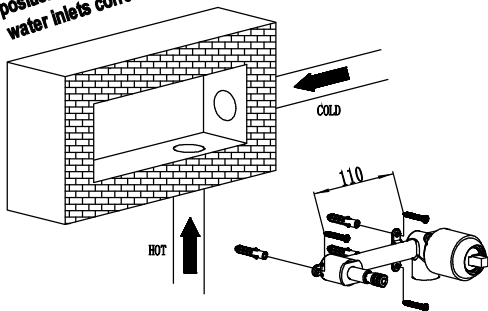
Step 2:
 Drill the holes on the wall and connect the cold water inlet and hot water inlet to proper positions.



Step 5:
 Screw off the handle lever, and assemble the handle and spout using the Allen key. Then fix the handle lever.



Step3:
 Install the tap body to the right position and make sure Hot&Cold water inlets correct



Step 5:
 Installation completed.

