

Assembly Instructions

Bath Filler and Bath Shower Mixer

Parts Supplied May Vary

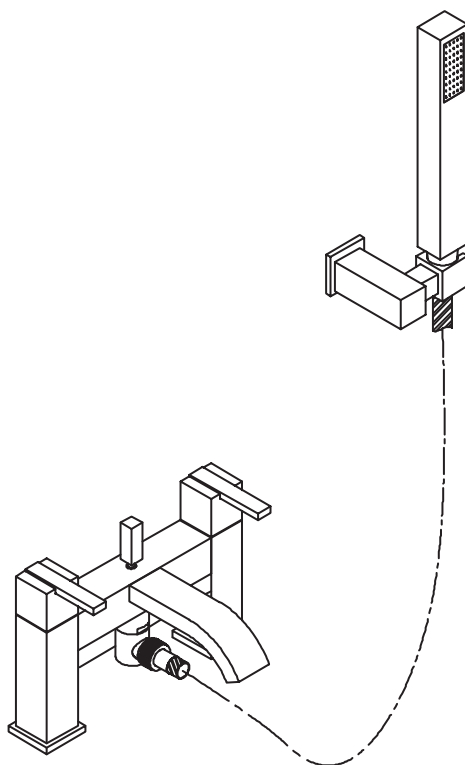


Image may vary from actual product

Initial Checklist

- ✓ **When you are ready to start, make sure you have the right tools to hand, plenty of space and a dry area for assembly.**
- ✓ **This product must be connected to a water supply in accordance with the Water Supply (Water Fittings) Regulations 1999, and UK Building Regulations. If you are in any doubt about these requirements, contact a qualified plumber, your local Water Company or the Water Regulations Advisory Service (WRAS).**
- ✓ **It is important to that both supply pipes are flushed before connecting the filler to ensure no pipe/plumbing debris entering the valve.**
- ✓ **TURN OFF WATER MAINS SUPPLY. The mains stopcock is usually situated where the supply enters the building.**
- ✓ **It is also recommended that the water heating arrangements are turned off.**
- ✓ **Isolate the hot and cold water supply.**
- ✓ **Maximum water pressure to filler is 5 bar.**

Warning

- ✓ **CAUTION: DO NOT** overtighten the fixings otherwise it may damage the product.
- ✓ **CAUTION:** Always ensure the product is securely installed before use.
- ✓ When the installation is complete, turn the water supply on and check for leaks on connection points.
- ✓ Failure to follow these instructions may result in personal injury, damage to the product and property damage.
- ✓ Care should be taken when drilling into walls to avoid any hidden pipes or wires.
- ✓ When drilling through ceramic tiles use a specialist drill bit.
- ✓ Where possible drill between tiles in the grout.
- ✓ Always be aware of the danger of scalding from hot water.
- ✓ Never twist or kink the hose or otherwise restrict the water flow whilst in use.

Care and Cleaning

Use warm soapy water and a soft damp cloth to clean the surface of the product. Wipe dry with a clean cloth.

Never use any solvents, scourers, abrasives, bleach, acids, strong detergents, aggressive chemical cleaners or solvent-type cleaning solutions on the product.

It is recommended to check all fittings for security and tightness at regular intervals.

Manufacturer's guarantee

>The body and finish of this bathroom filler are guaranteed for 5 years, working and decorative parts guaranteed for 3 years and consumable parts 1 year subject to installation and use in compliance with the recommendations set out in the instructions.



**IMPORTANT - RETAIN THIS
INFORMATION FOR FUTURE
REFERENCE: READ CAREFULLY**

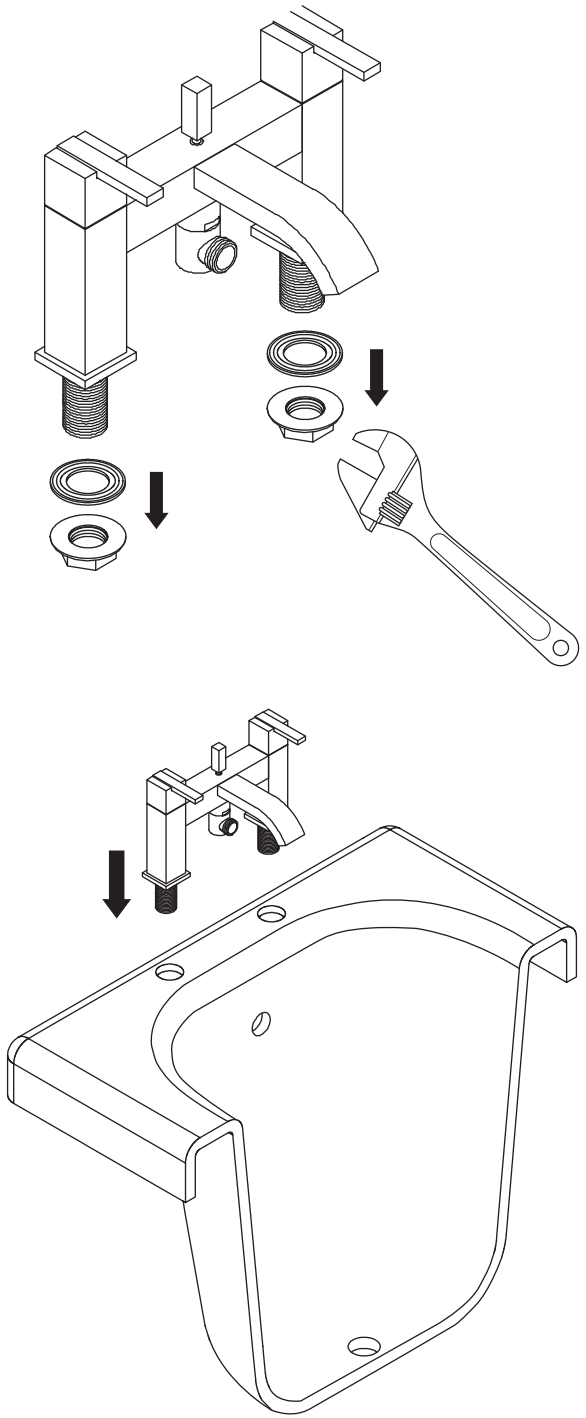
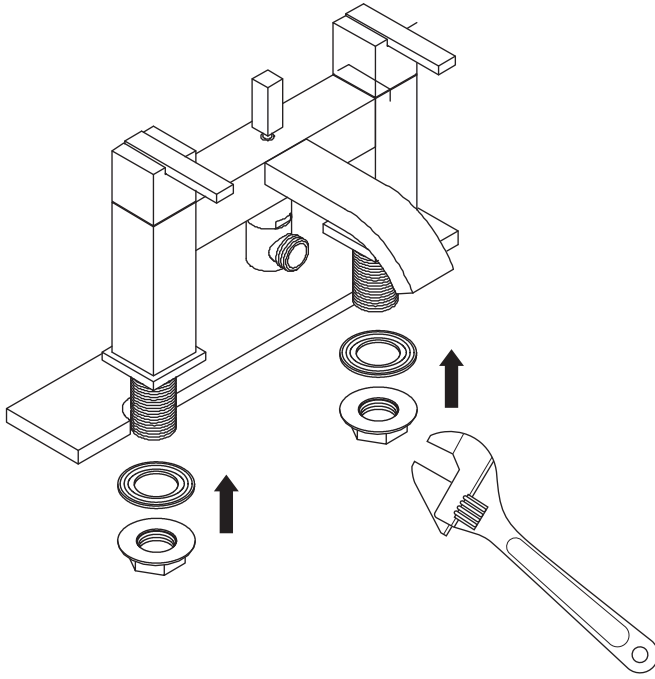


Image may vary from actual product



FOR BATH SHOWER MIXER ONLY

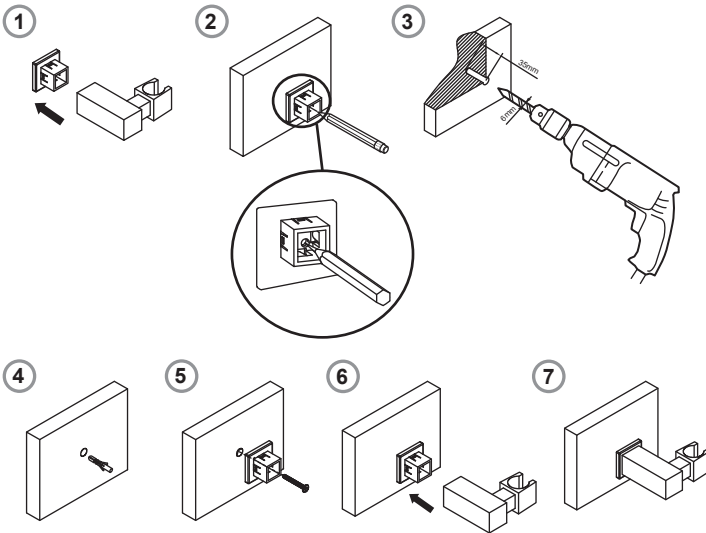
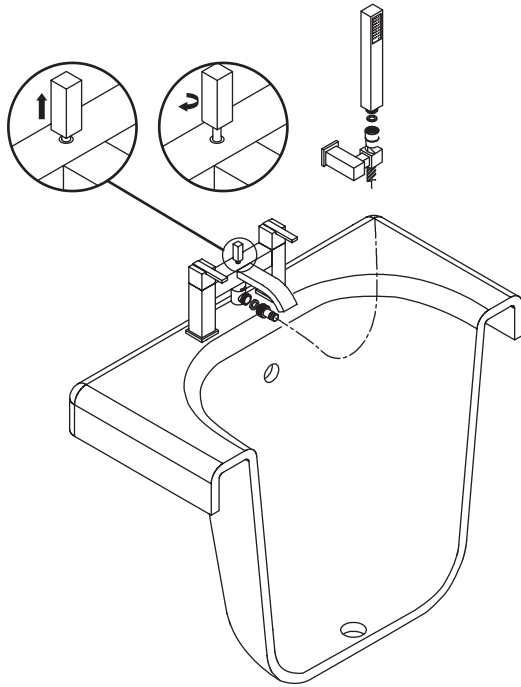
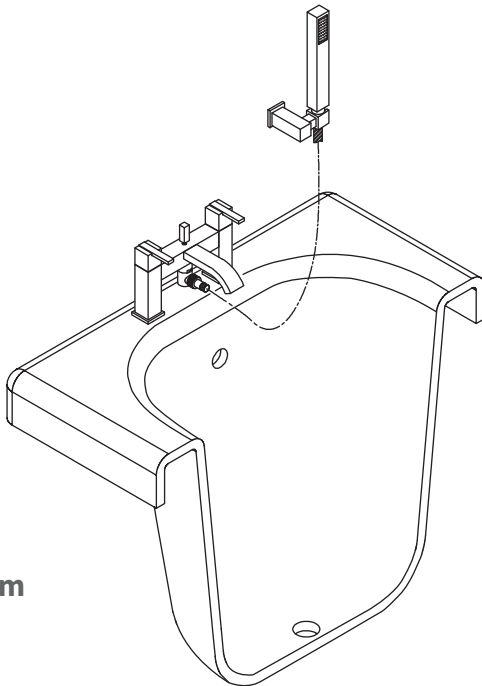


Image may vary from actual product



**Bath Shower Mixer
Only**



**Bath Shower Mixer
Only**

**Image may vary from
actual product**