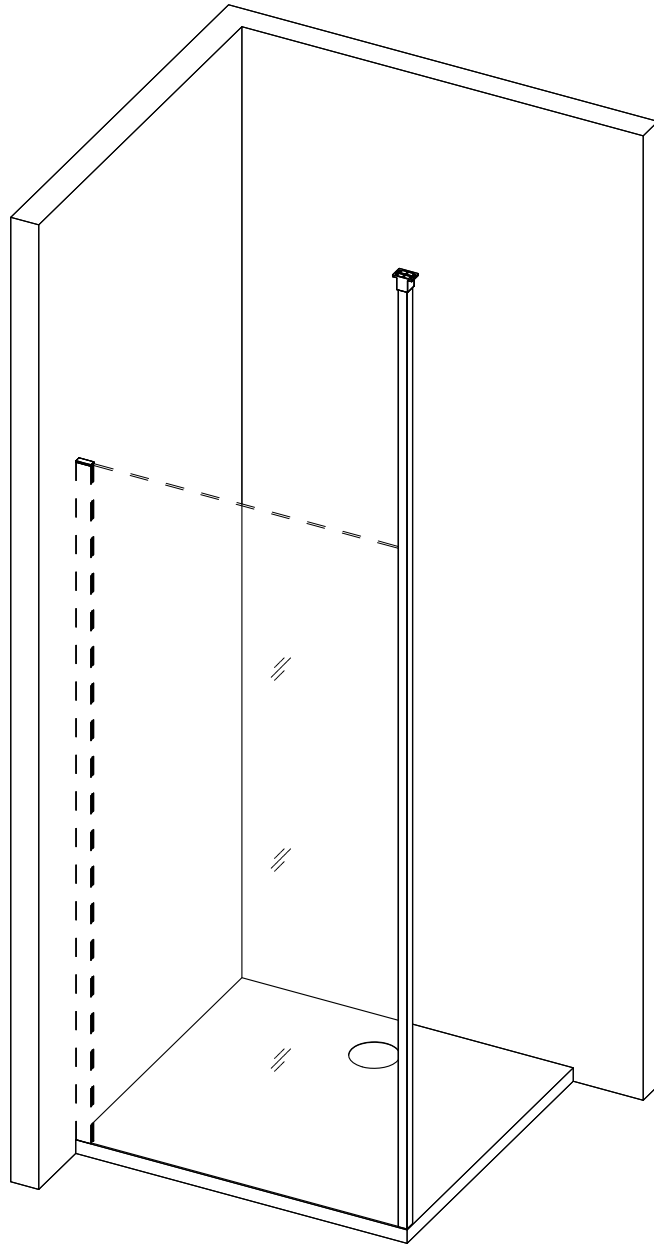


Assembly Instructions

8mm Wetroom Ceiling Pole



Product Reference (Barcode): MFQEW0002 (5054913451928)

Assembly Instructions

8mm Wetroom Ceiling Pole

Before you start: ATTENTION

Please read these instructions through carefully before you start the installation. Incorrect product installation may result in serious product failure which will not be covered under your guarantee.

Check the number of components to ensure you have all the parts listed and make sure you have the right tools to hand, plenty of space and a clean dry area for assembly.

Two people are required for certain parts of the assembly and it is always recommended that a technically competent installer should undertake the installation.

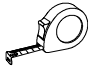






Ensure that the enclosure is fitted to a level tray or floor and vertical walls. The wall plugs included with this product are suitable only for solid walls. Plasterboard or stud walls may require specialized fixings which are not provided. Handle all glass components with extreme care avoiding any damage to the corners and edges which may cause it to shatter. When fixing the support bar to the ceiling please ensure there is suitable support, and the wall plugs or fittings are correct.

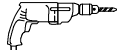
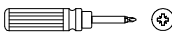
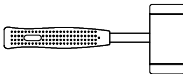
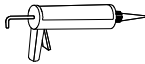

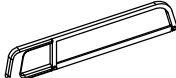
Caution: Care should be taken when drilling into walls and ceilings to avoid hidden pipes or electrical cables.

Caution: When working near a tray or bath, ensure that the waste is covered so that small parts do not fall down it.

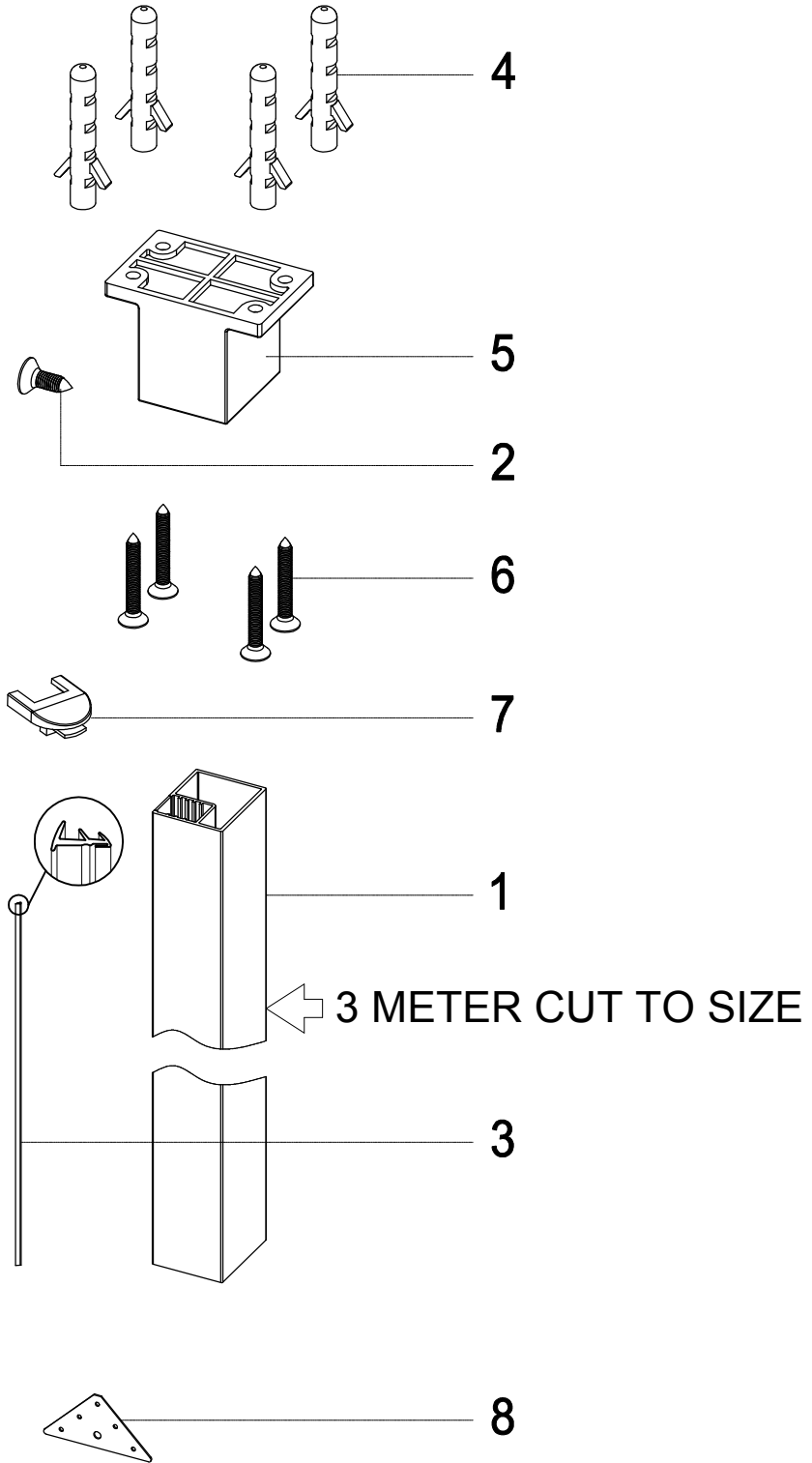
Caution: Be careful of sharp edges.

TOOLS REQUIRED

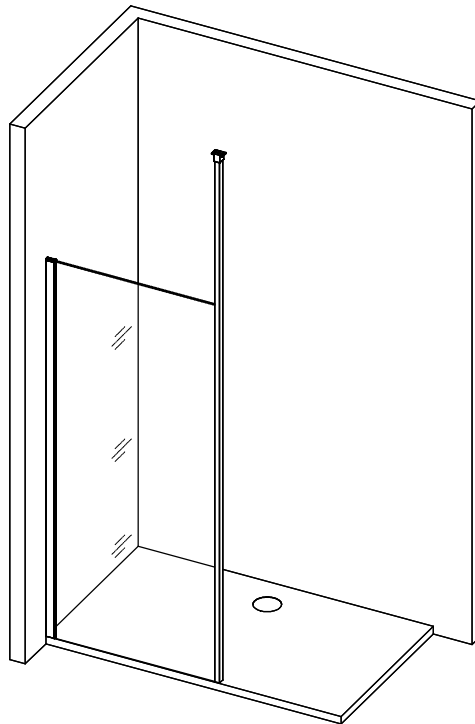
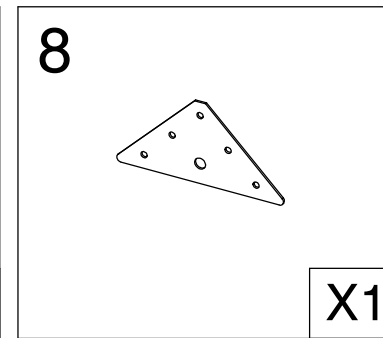
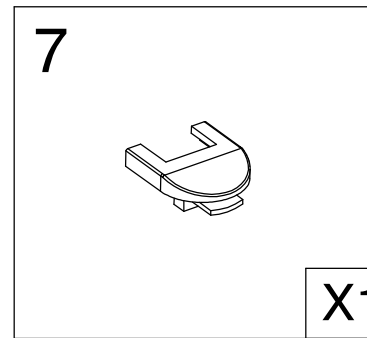
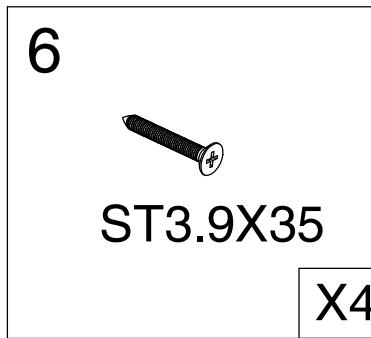
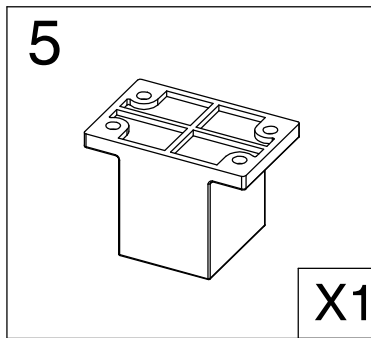
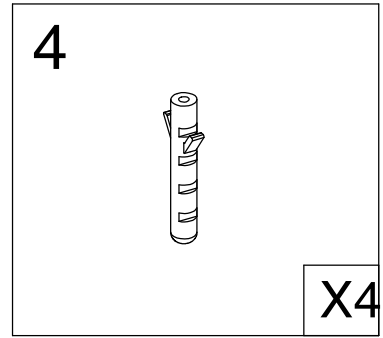
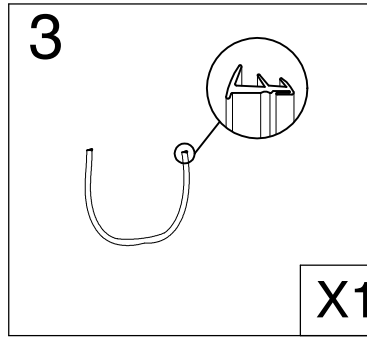
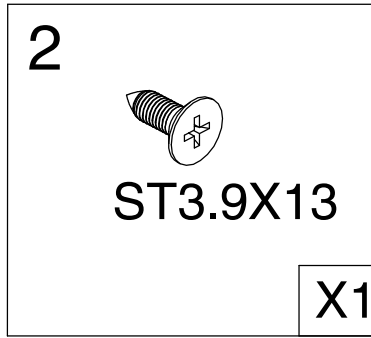
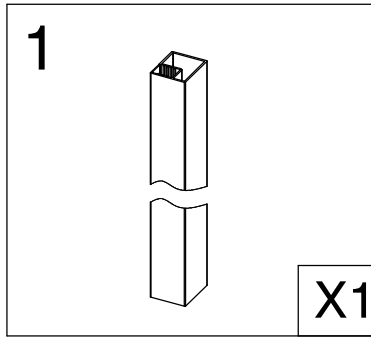
DESCRIPTION	PART IMAGE
Tape measure	
Spirit level	
Pencil	
Ø10mm Drill bit	
Ø3mm Drill bit	
Protection eyeglasses	
Pliers	

DESCRIPTION	PART IMAGE
Power Drill (with hammer action)	
Cross head Screwdriver	
Rubber Mallet	
Silicone Sealant	
Gloves	
HACKSAW	

ASSEMBLY INSTRUCTIONS - EXPLODED VIEW AND PARTS LIST

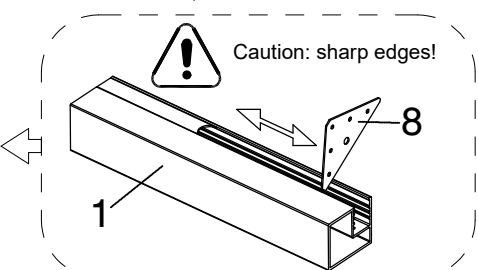
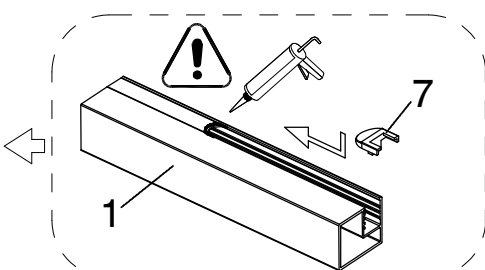
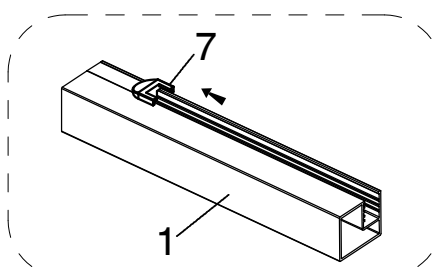
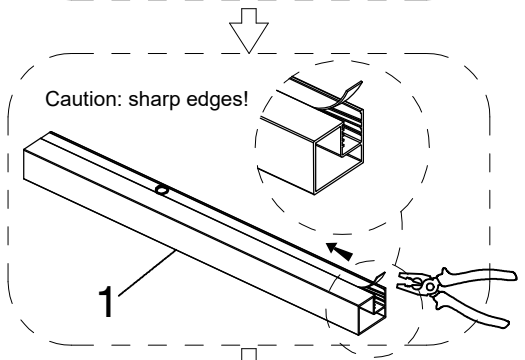
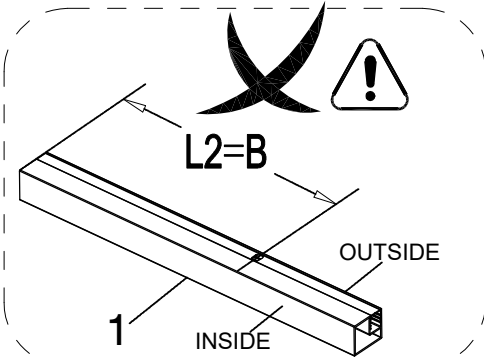
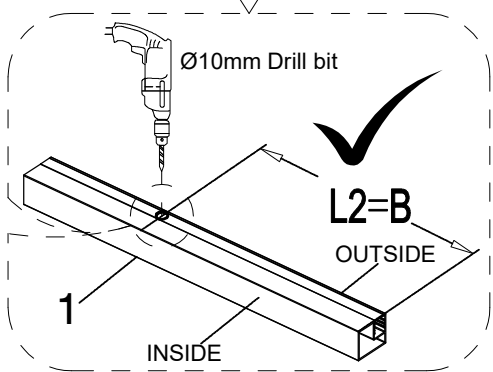
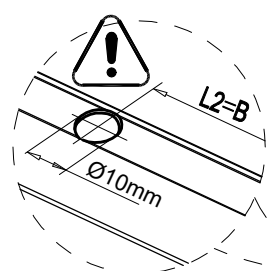
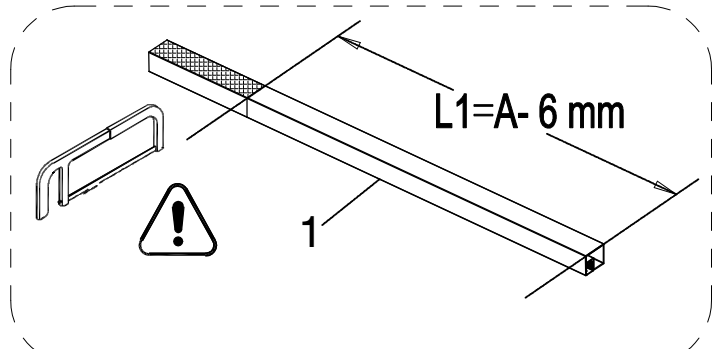
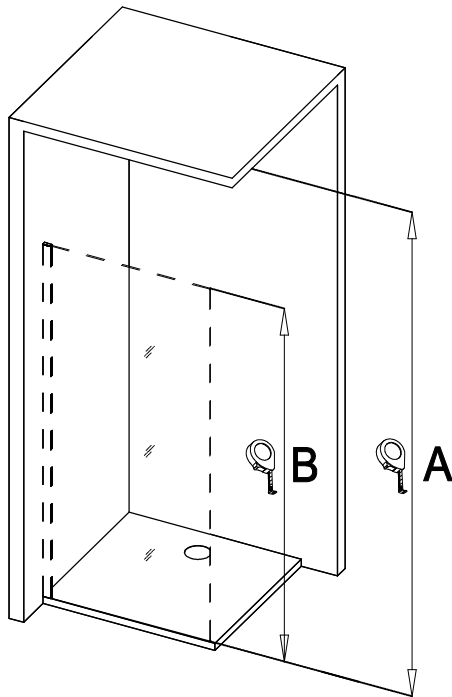


COMPONENTS LISTING



CONFIGURATION - USING
8MM WETROOM PANEL WITH
THE WETROOM CEILING POLE

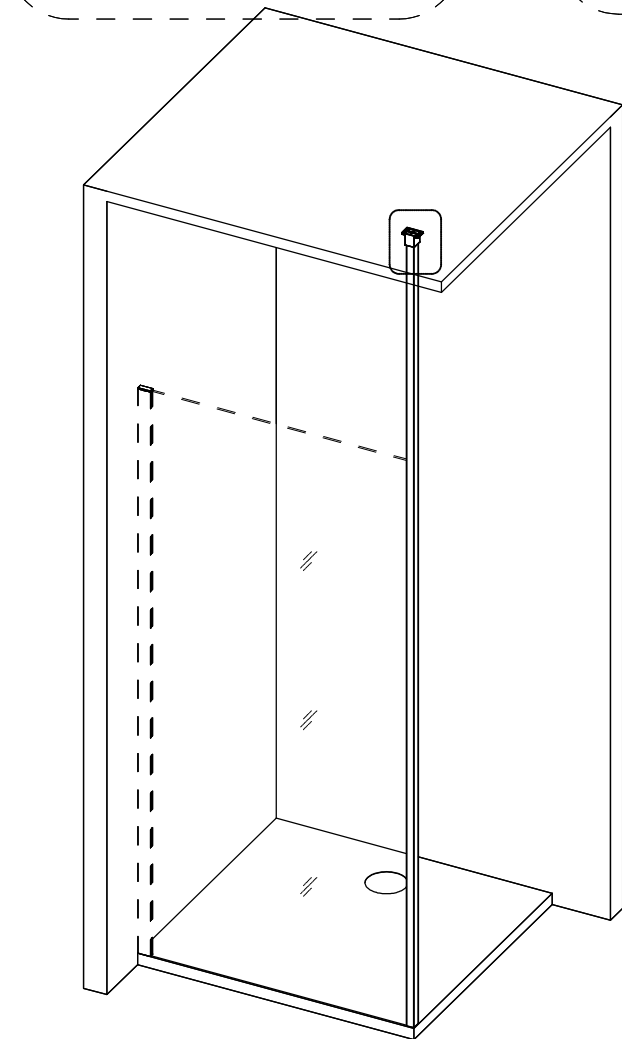
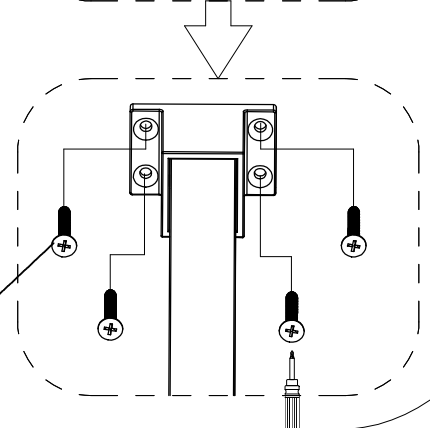
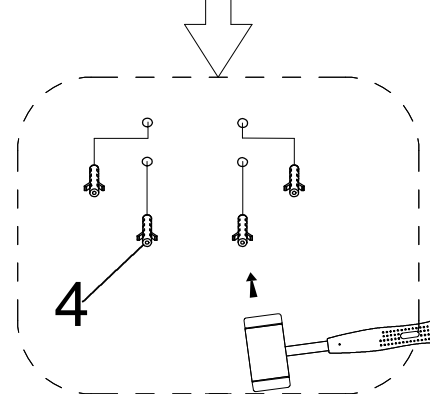
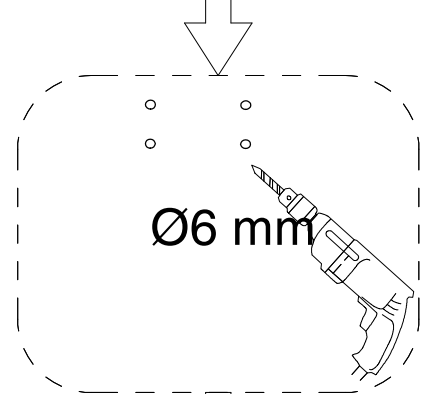
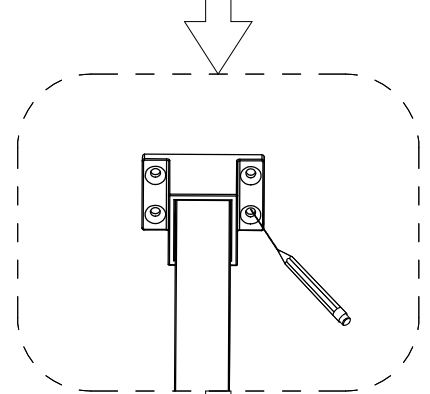
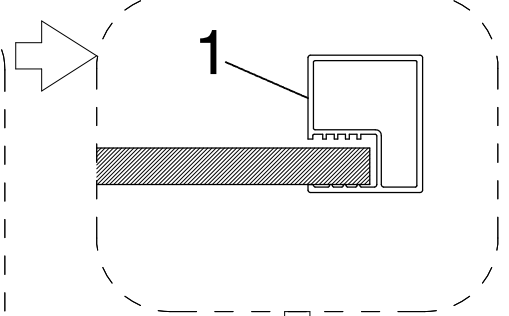
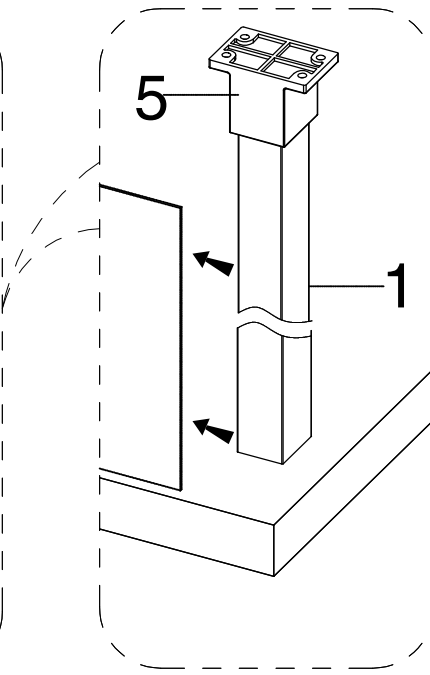
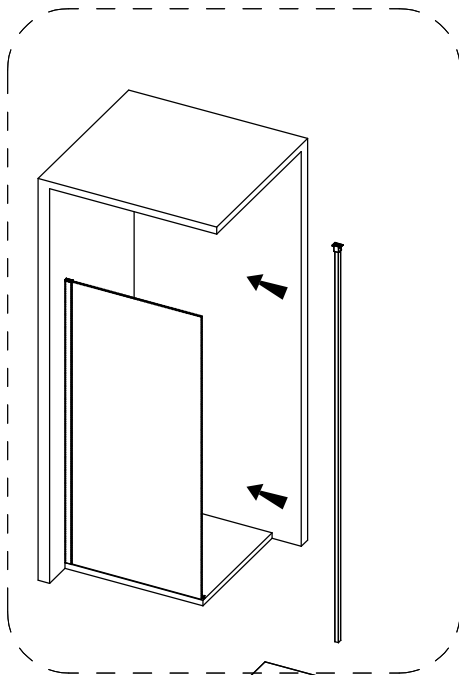
STEP 1: MEASURE FROM GROUND OR TRAY TOP TO THE CEILING (A) AND FIND OUT THE OVERALL HEIGHT REQUIRED FOR THE CEILING POLE. CAREFULLY CUT THE POLE TO THE HEIGHT OF "A MINUS 6MM" TO ALLOW FOR THE CEILING BRACKET.



STEP 2: MEASURE THE HEIGHT OF THE GLASS OF THE WETROOM PANEL IN SITU (B) IN ORDER TO FIND OUT THE EXACT LENGTH OF THE RECESS CHANNEL REQUIRED IN THE POLE PROFILE. ALLOW AN ADDITIONAL 5MM IN LENGTH WHEN EXPOSING THE RECESS CHANNEL. USING PLIERS TO REMOVE THE COVER STRIP TO EXPOSE THE CHANNEL. USING TRIANGULAR BURR REMOVAL TOOL (8) TO REMOVE ANY SHARP EDGES OF THE CHANNEL.

4 USE SILICONE TO FIX THE GLASS CLIP (7) ONTO THE NOTCH OF THE RECESS CHANNEL

STEP 3: CHECK THE OVERALL HEIGHT WITH THE CEILING BRACKET (5) IN POSITION BEFORE DRILLING AND FIXING AS SHOWN. THE CEILING BRACKET IS FIXED BY DRILLING AND SECURED BY USING THE SCREWS AS SHOWN (6)

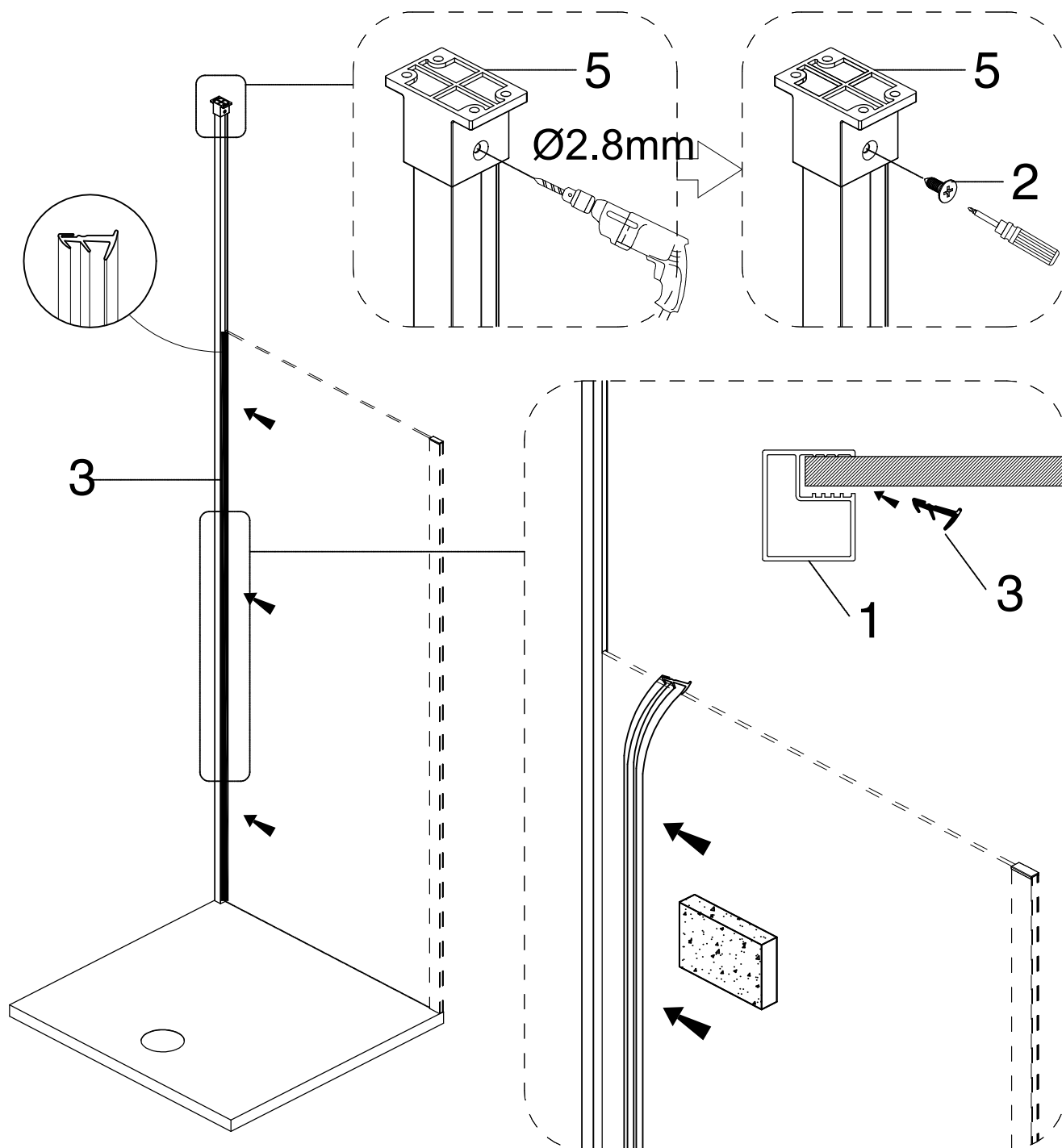


5

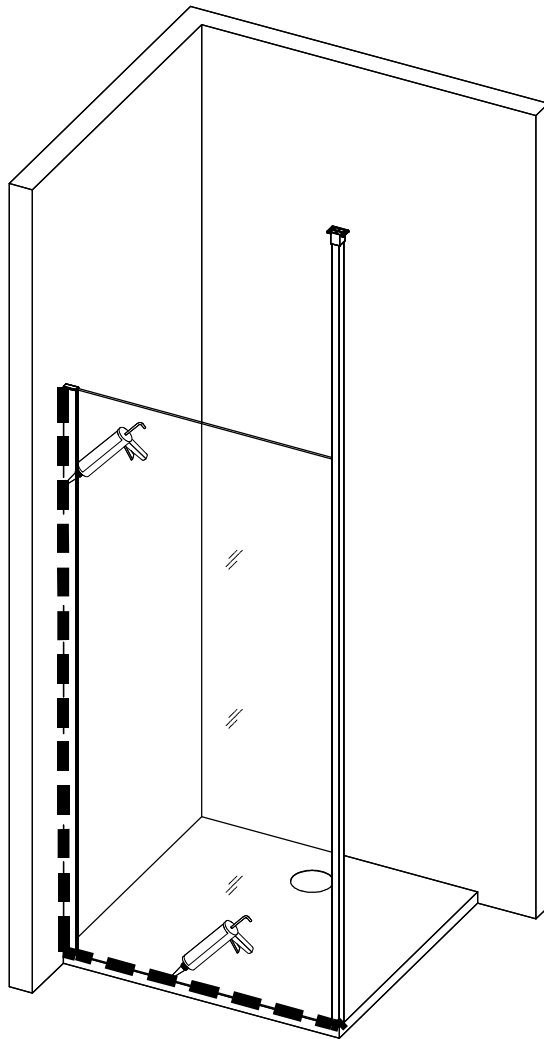
6

STEP 4: FIX THE POLE TO THE BRACKET BY DRILLING AND SECURING USING THE SCREW (2) AS SHOWN.

STEP 5: INSERT THE VERTICAL SEAL (3) INTO THE FULL LENGTH OF THE CHANNEL BETWEEN THE GLASS AND THE PROFILE. THIS IS USED TO BOTH SEAL AND SECURE THE GLASS INTO PLACE. PUSH AND TAP IT FULLY INTO POSITION FROM TOP TO BOTTOM USING A TIMBER CHOCK AS SHOWN.



STEP 6: APPLY SILICONE TO THE OUTER EDGES ALONG THE WALL AND THE BASE AS SHOWN AND LEAVE FOR 24 HOURS BEFORE USE.



Allow 24 hours for silicone to dry before use.
Silicone on the outside edge only as shown.

CARE AND MAINTENANCE:

It is important that you clean your shower enclosure after every use.

Soapy water is adequate to keep the glass clean however glass cleaner can be used if required. In hard water areas, insoluble lime scale may be deposited on the glass. If this is allowed to build up it becomes increasingly difficult to remove. Regular cleaning will minimise this effect.

NEVER use abrasive products or strong chemical cleaners on the glass.