

MB9 Hinged Bath Screen

IMPORTANT

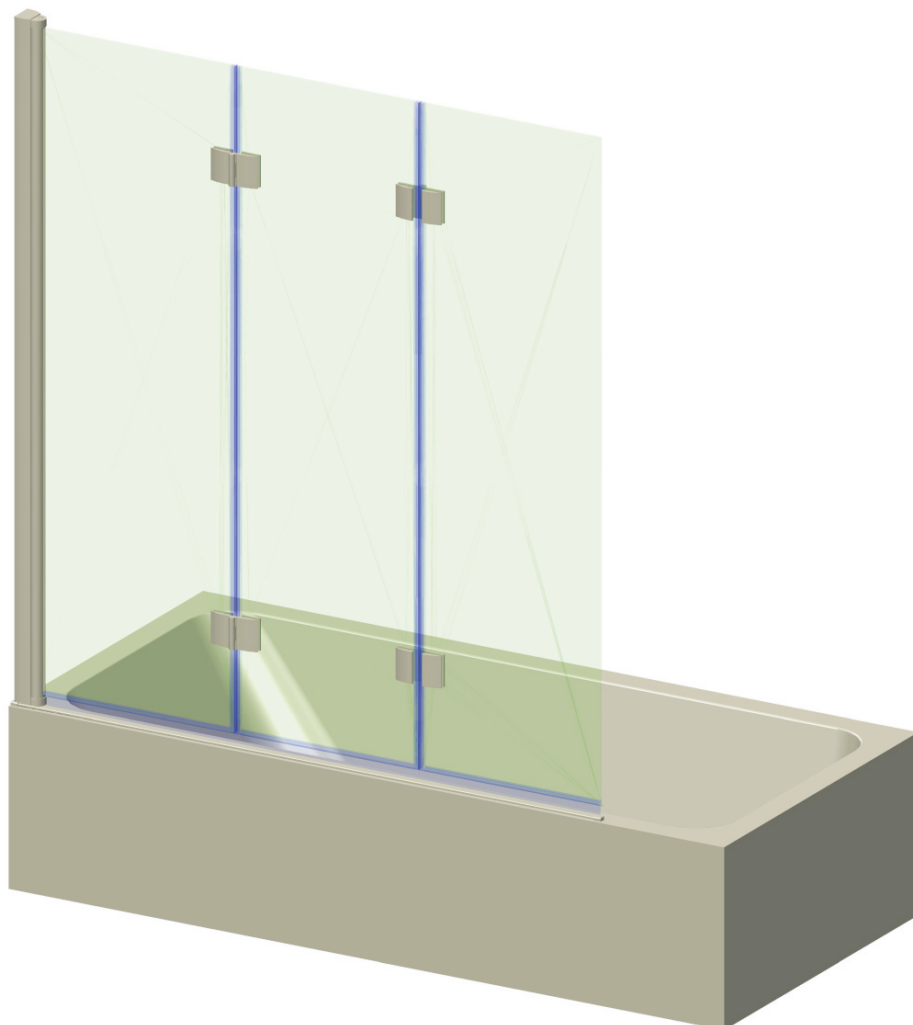
Please read the complete instructions before commencing fitting.

Do Not attempt to install the product unless you can tick all 4 boxes satisfactorily

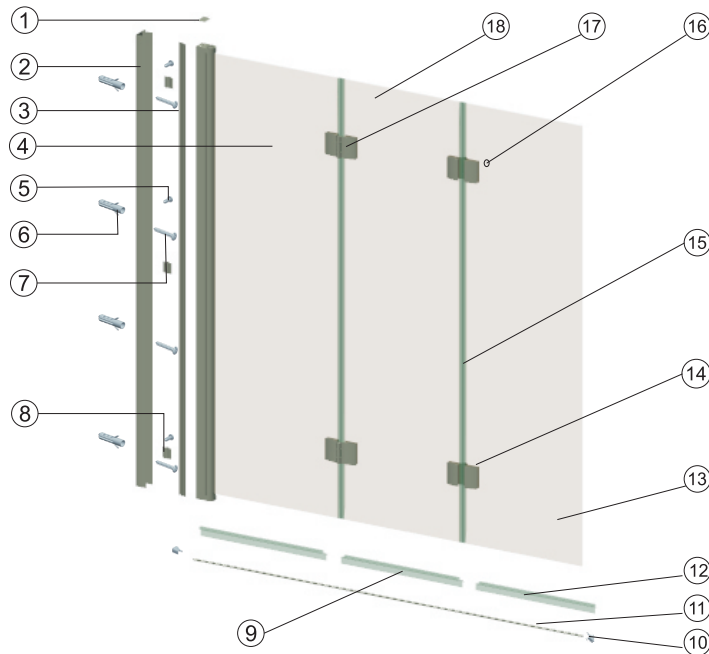
- Check that you have the tools required
- Check the installation site is compatible with the sizes of door supplied
- Check all the enclosure components are present
- Check the installation kit is complete

The wall plugs supplied with the installation kit are for use in solid walls. Hollow or 'stud partition' walls will require alternative fixings. Please consult a hardware supplier for the correct type. It may also be necessary to consult your tiling supplier about the correct method for drilling your tiles

ATTENTION: TAKE EXTREME CARE WHEN HANDLING GLASS. WEAR PROTECTIVE EYEWEAR AND CLOTHING. DO NOT LEAVE THE GLASS ON HARD SURFACES AND AVOID CONTACT BETWEEN THE GLASS EDGES AND HARD SURFACES OR IMPACTS DURING THE INSTALLATION



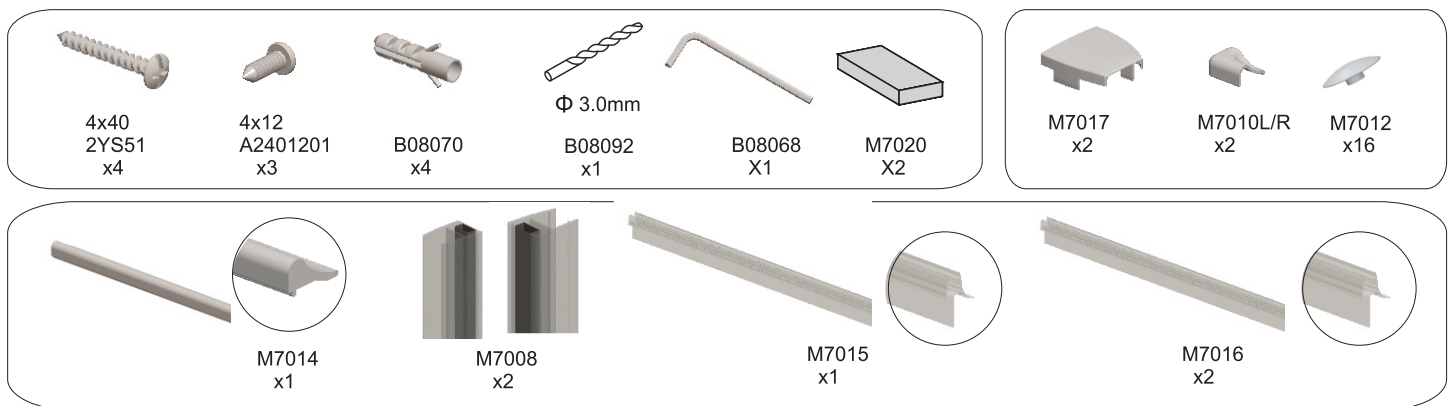
COMPONENTS AND BOX CONTENTS



No.	Description	QTY	Part No.	No.	Description	QTY	Part No.
1	Cover cap for wall profile L/R	2	M7017	10	Luna rail end cap L/R	2	M7010L/R
2	Wall profile	1	M7013	11	Luna rail	1	M7014
3	Cover strip	1	M7004	12	Bottom seal	2	M7016
4	Moving panel	1	A	13	Moving panel	1	B
5	Screw ST4x12	3	A2401201	14	Hinge(in side)	2	M7006
6	wall plug	4	B08070	15	Vertical magnet seal	2	M7008
7	Flat head screw ST4x40	4	2SY51	16	Cover cap for hinge	16	M7012
8	Plastic part for cover strip	3	M7009	17	Hinge(out side)	2	M7018
9	Bottom seal	1	M7015	18	Moving panel	1	C

FIXING KIT COMPONENTS, TOOLS REQUIRED, SITE

Fixing Kit components
parts shown are not to scale



Tools Required

- 6mm masonry drill bit
- Spanner
- Power drill
- Quality Silicone
- Pencil
- Tape Measure
- #2 Philips Head screw driver
- Spirit level with horizontal and vertical level indicators

IMPORTANT - Installation site

1. Ensure your bath is level before fitting. This screen is not designed to fit on baths with stepped fronts, roll top rims or integral soap dishes.
2. The tiling or other wall finishing should be effectively sealed at the tray edges.

INSTALLATION

1. Position the wall profile so the seal on the moving panel sits on the inside edge of the bath. **Fig 1.**

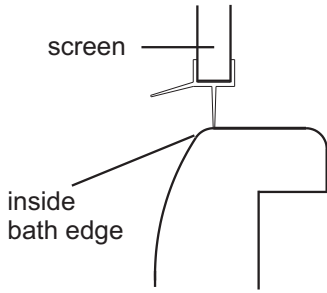


FIG 1

2. Plumb the wall profiles using the vertical element of the spirit level. Mark 4 holes, drill with 6mm masonry bit and fit wall plugs. Using the 4 screws fix wall profile to wall. **Fig 2.**

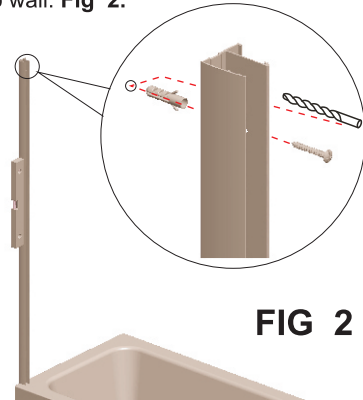


FIG 2

3. Ensure rising butt (Fig3/C) is to the bottom, if not reverse. by loosening screws as in A,B,C. And switch top and bottom as D,E,F. **Fig3**

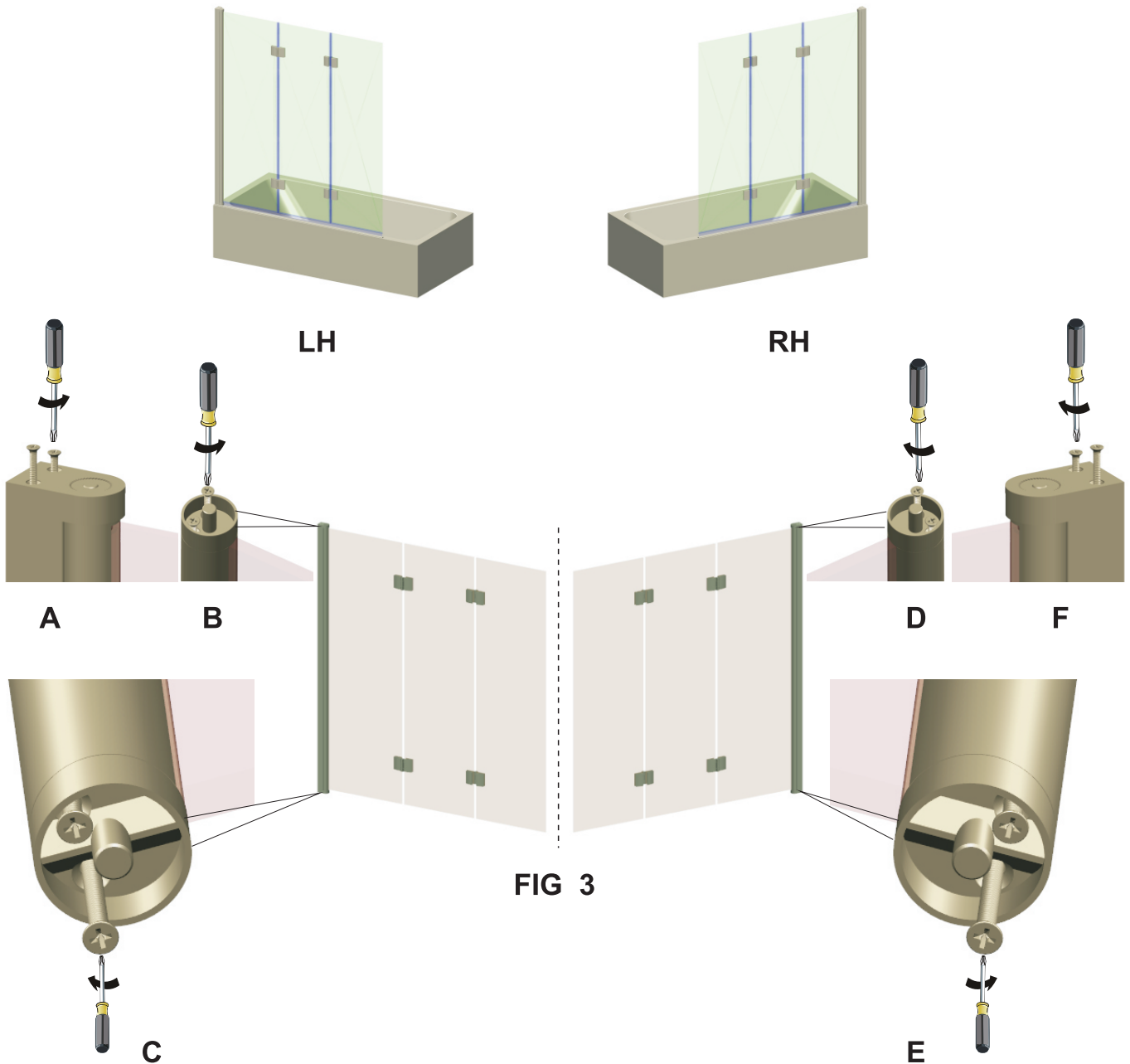


FIG 3

4. Insert the screen into the wall profile. Ensure the bottom edge of the moving panel is parallel to the top surface of the bath. Use spacer (M7020) to position. **Fig4.**

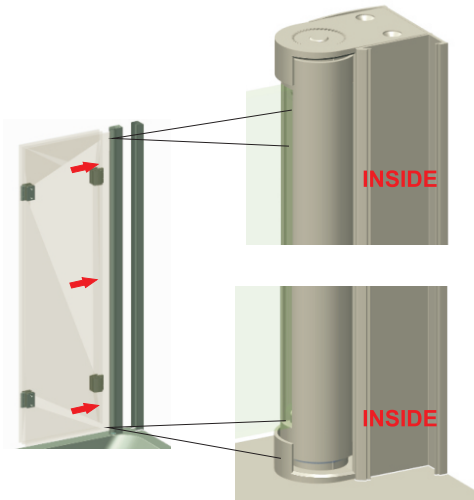


FIG 4A

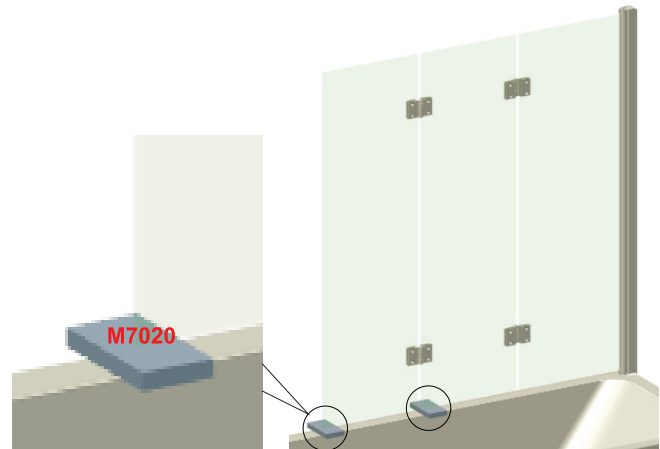


FIG 4B

5. Drill 3 holes through the wall profile and fixed panel using a 3.0mm steel drill bit.(B08092) Using the screw , fix the screen upright profile to the wall profile in 3 places. **Fig 5.**

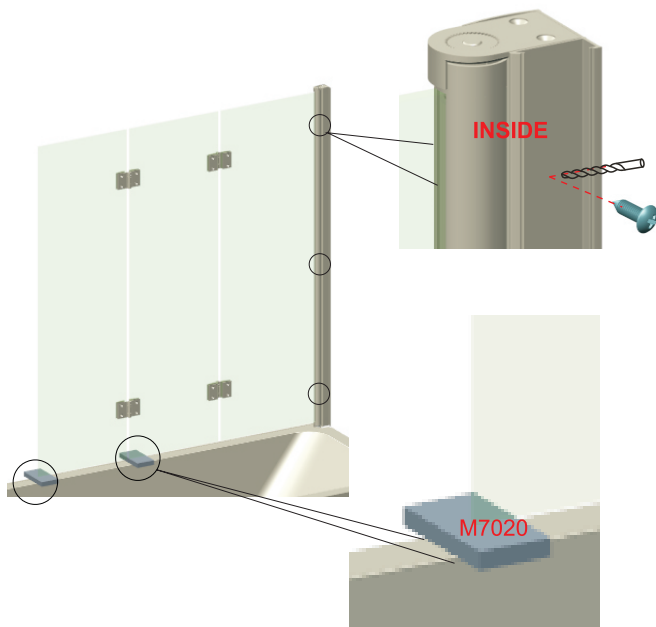


FIG 5

6. Attach the cover strip to the wall profile. Starting at the bottom firmly press cover strip into place and gradually work from bottom to top **Fig 6.**

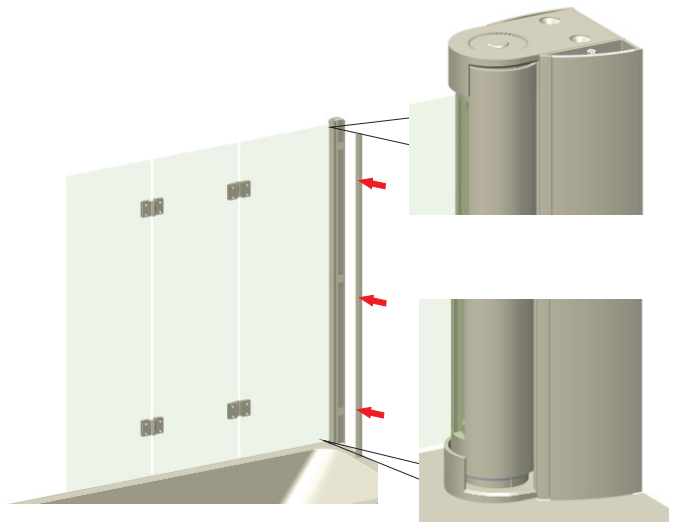


FIG 6

7. Fix top cover cap(M7017) to wall profile (M7013). **Fig 7.**

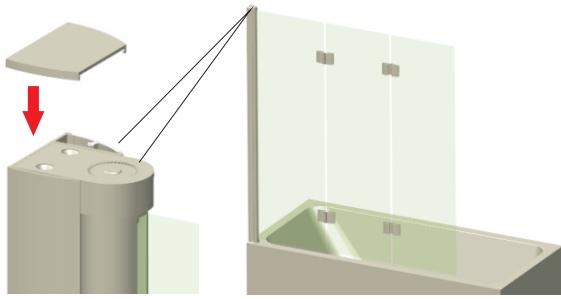


FIG 7

8. Position moving panel at 90 degrees to the fixed panel. Starting at the bottom push on magnet seals fully. Open the moving panel and ensure both seals meet fully and provide a complete seal. If there is a gap push both seals together. **Fig 8.**

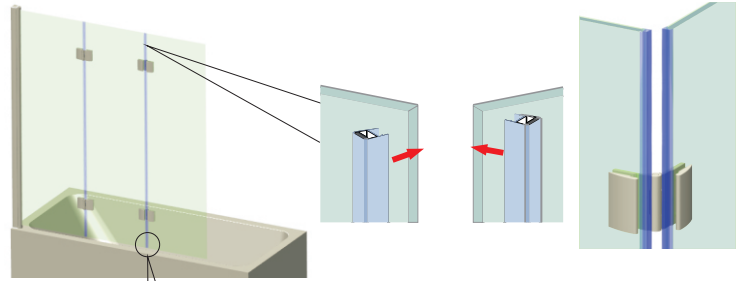
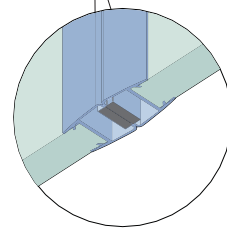


FIG 8



9. Fix the cover caps (M7012) to both hinge. **Fig 9.**

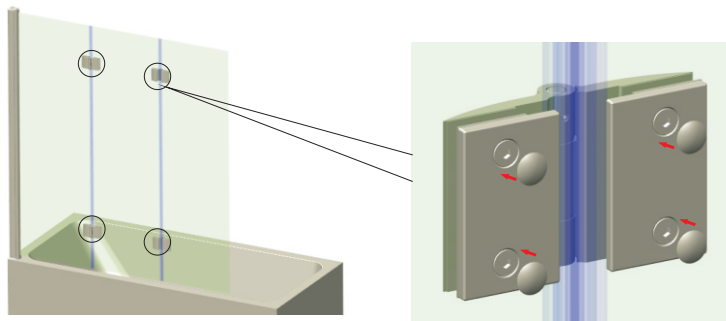


FIG 9

10. Fix the bottom seal. **Fig 10.**

IMPORTANT: Ensure bottom seal is tight to bath top surface along the screen. Keep deflector fin to inside.

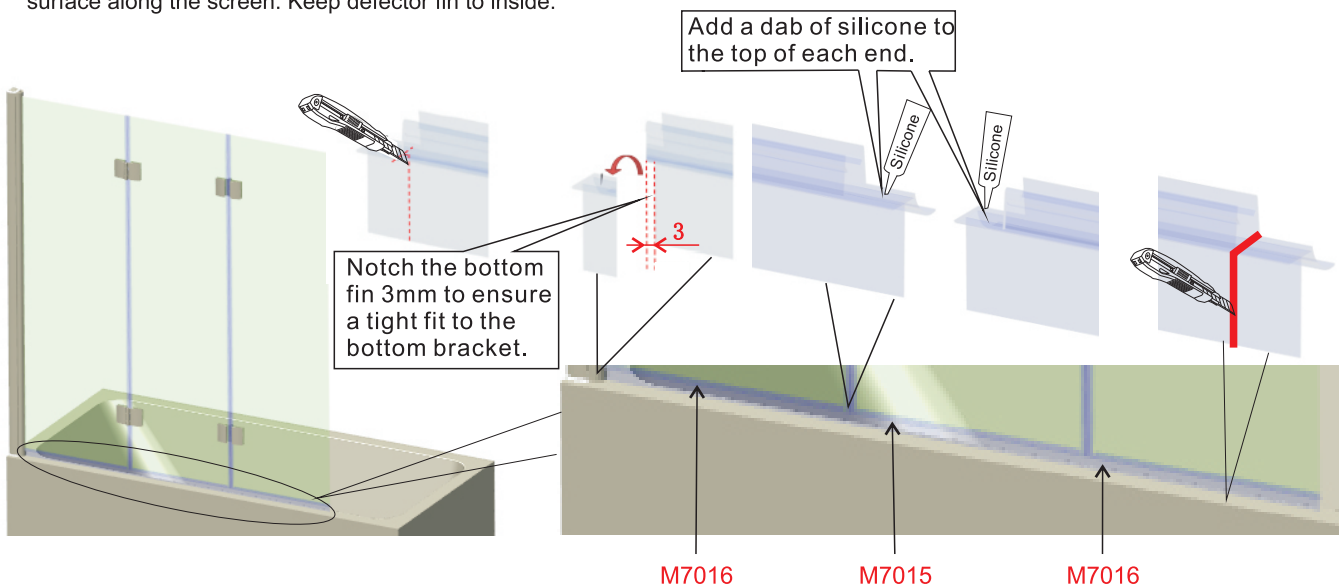


FIG 10

OPTIONAL

11. Fitting the luna rail is optional. **If fitted the panels cannot be folded out over the luna rail as they will get damaged.** Fix the luna rail on top of bath. Put a dab of silicone to bottom of each luna rail end cap (note left & right) and a thin bead of silicone to the bottom of the luna rail. Fit cap to end of fixed panel and carefully place luna rail into end cap. Ensure the luna rail is parallel to the bath edge. **Fig 11.**

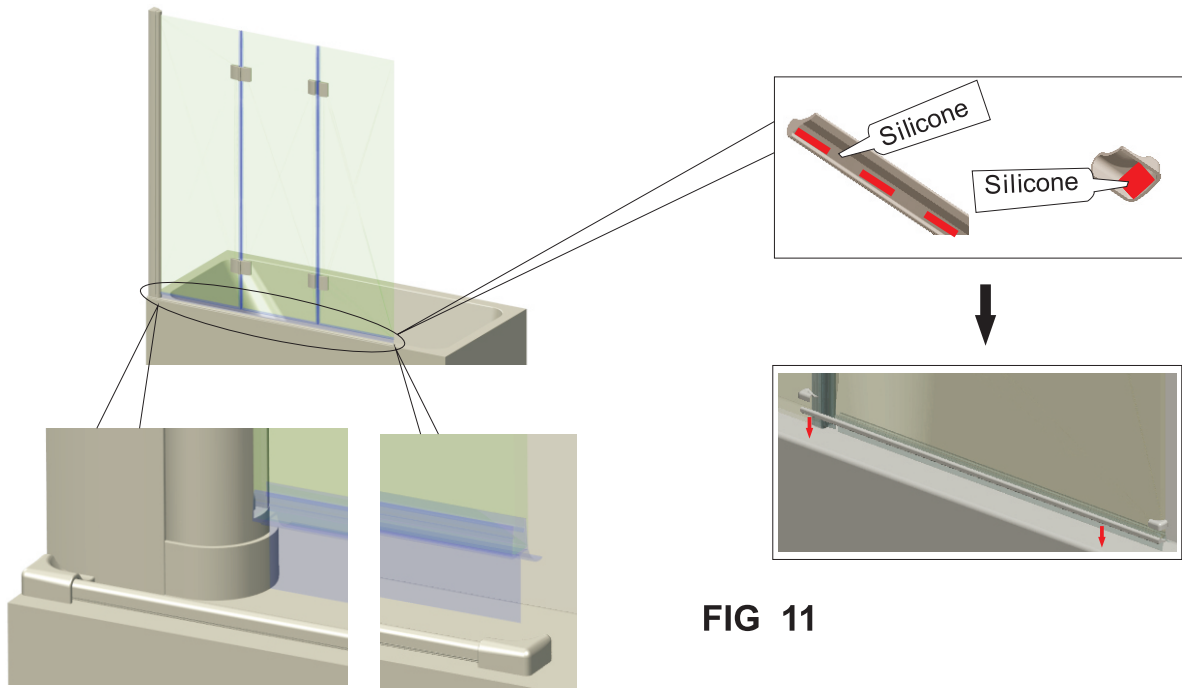


FIG 11

12. Sealing. **Fig 12.**

Inside(dashed line):

When installation is complete seal the joint between the wall profile and the wall, top to bottom on the inside only. SEAL where the wall profile and fixed panel sit on the bath.

Outside(full line)

From outside the screen, Seal along the bottom where the fixed panel, frame and wall profile meet the bath. Seal 50mm up where the frame meets the wall profile and where the wall profile meets the wall.

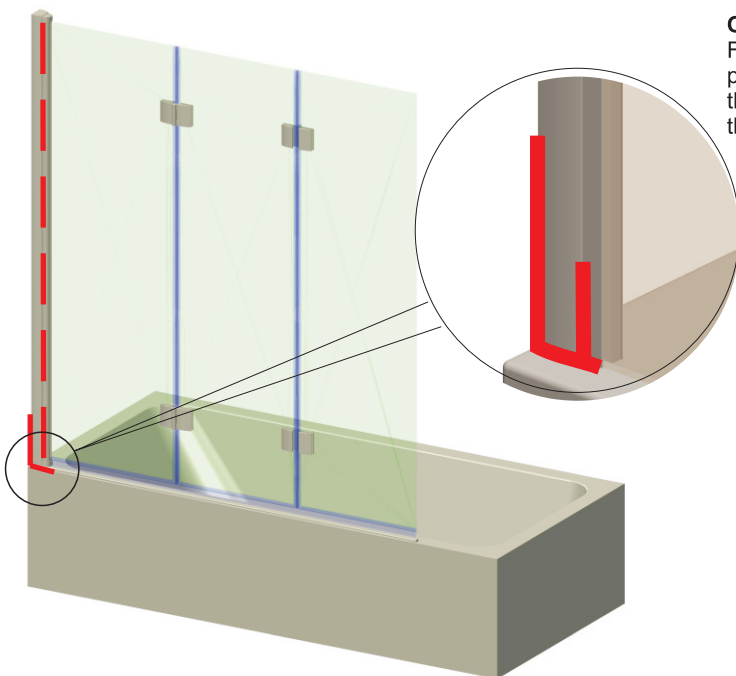


FIG 12



**DO NOT USE THE
ENCLOSURE FOR
24 HOURS AFTER
SEALING**