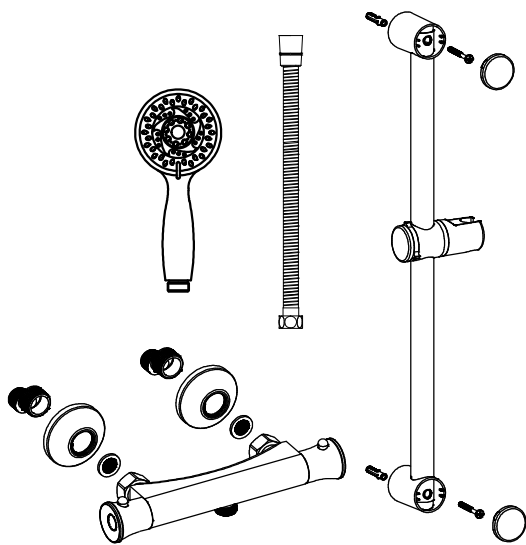
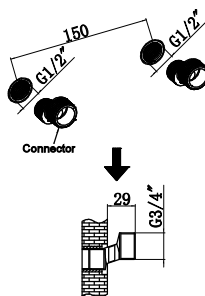


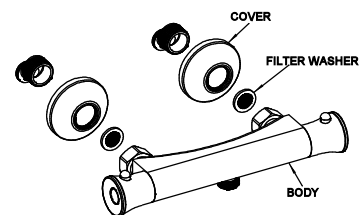
## ROUND SHOWER KIT INSTALLATION INSTRUCTIONS



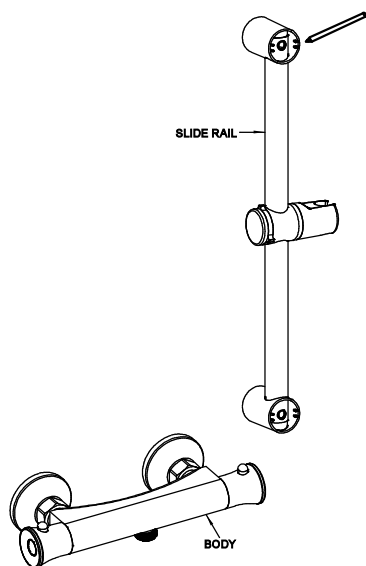
Step 1: Disassemble all the parts according to the figure above.



Step 2: Apply suitable thread sealant (not supplied) and attach the offset connectors to the pipework in the wall, making center distance of 150mm, 29mm from the wall.



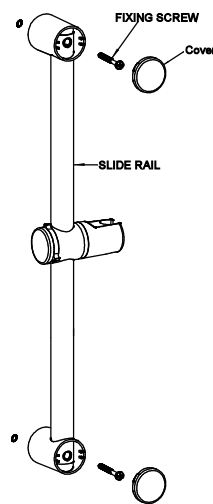
Step 3: Attach the covers against wall, place filters into the inlets. Then fix mixer onto the wall with spanner, checking for leakage.



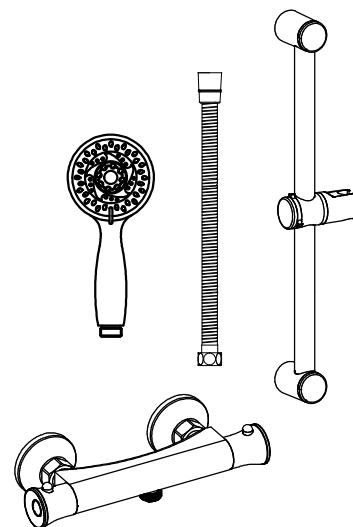
Step 4: Place mounting plate on a proper position of the wall, make markings.



Step 5: Drill two holes of Ø8mm with depth of 40mm, tap in wall plugs.



Step 6: Fix the sliding rail with screws, then place covers.



Step 7: Connect shower hose and handshower.