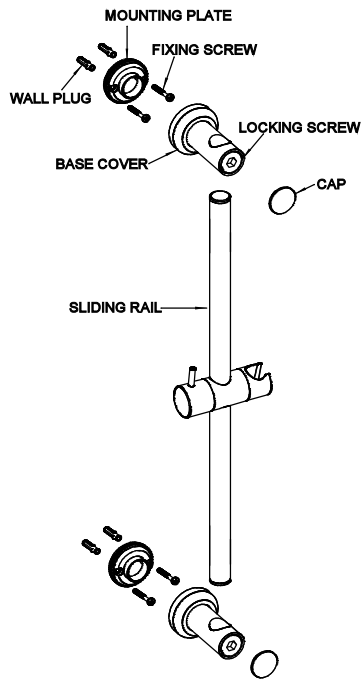
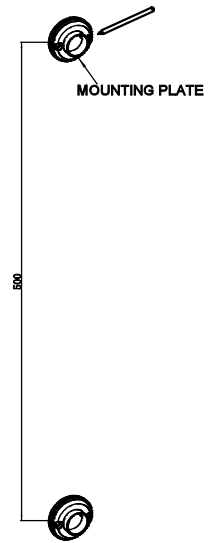


## ROUND SHOWER KIT INSTALLATION INSTRUCTIONS



**Step 1:** Disassemble all the parts according to the figure above.



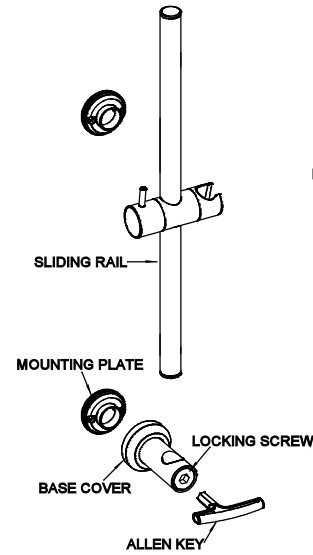
**Step 2:** Place mounting plates on a proper position of the wall and make markings.



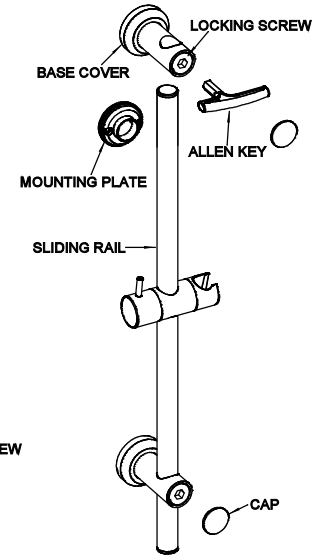
**Step 3:** Drill two holes of  $\varnothing 6\text{mm}$  with depth of 40mm. Tap in wall plugs.



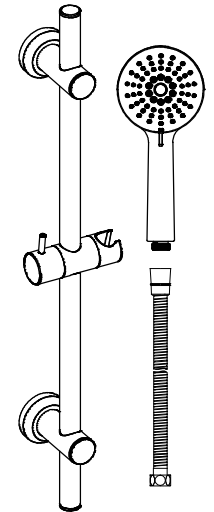
**Step 4:** Fix mounting plates on the wall with screws.



**Step 5:** Fix bottom base cover onto the mounting plate, place sliding rail into base cover in a proper position, then turn the locking screw with allen key to tighten.



**Step 6:** Place top base cover into sliding rail and fix base cover against mounting plate. Turn the locking screw with allen key to tighten. Finally apply the caps.



**Step 7:** Connect shower hose and handshower.