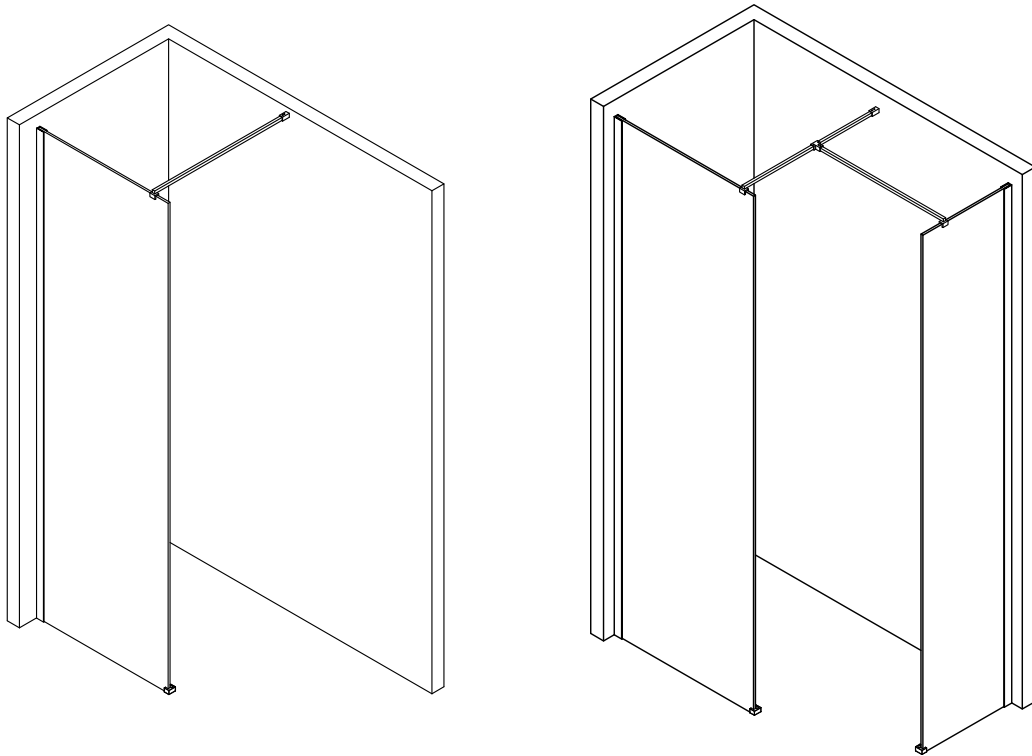


Assembly Instructions

Wetroom Enclosure



Product Reference (Barcode):

MFREW1002 (5054913325113)

MFREW9002 (5054913325120)

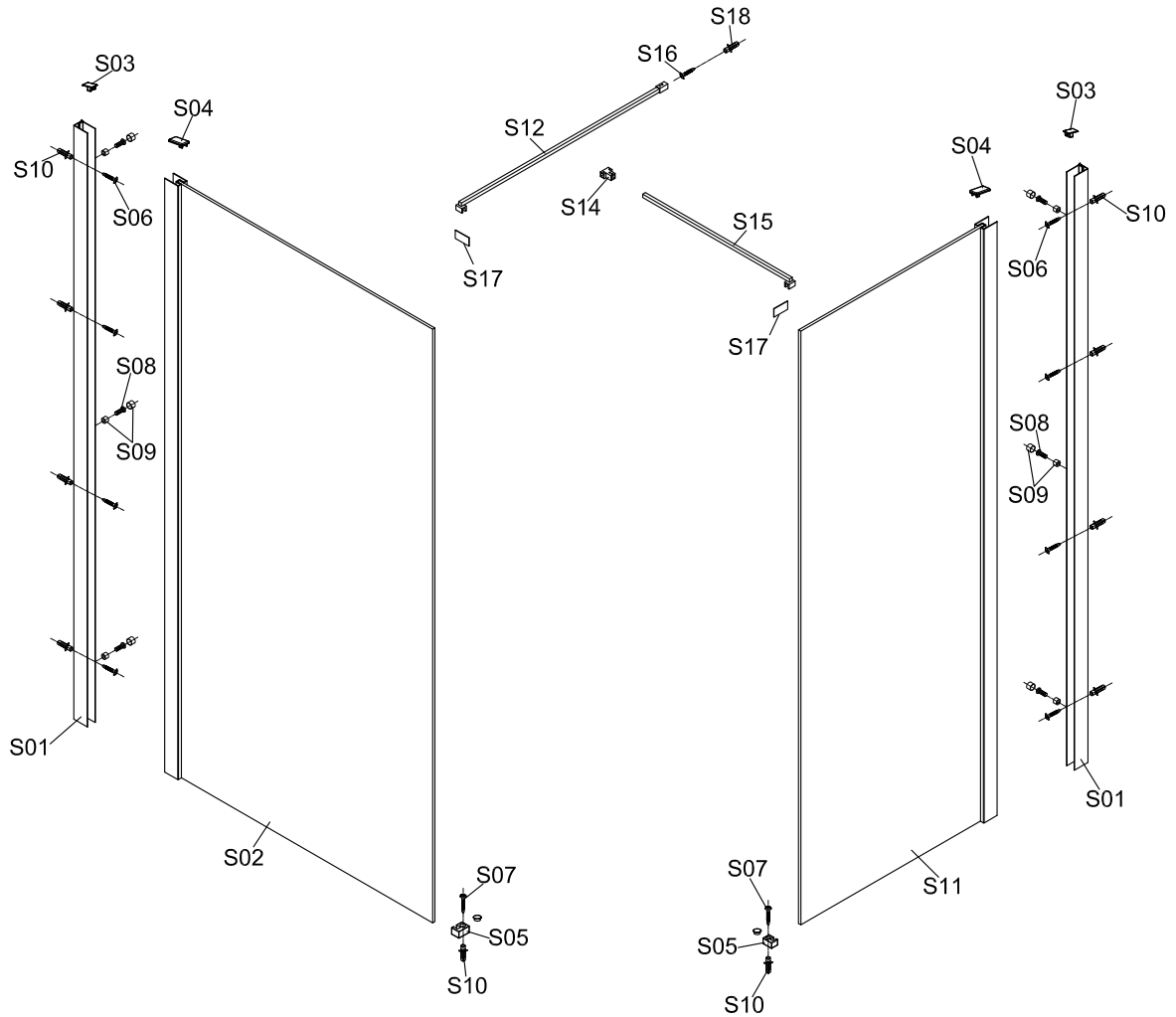
MFREW1006 (5054913325182) MFREW5002 (5054913325151)

MFREW1202 (5054913325199) MFREW8002 (5054913325168)

MFREW9006 (5054913325175)

Assembly Instructions

Wetroom Enclosure



Contents for Front Panel Parts Supplied

Ref	Description	Illustration	Qty
S01	Wall profile		1
S02	Front panel		1

Ref	Description	Illustration	Qty
S03	Wall profile cover		1
S04	Vertical profile cover		1
S05	Bottom glass clamp & washer		1

Contents for Front Panel Fittings Supplied

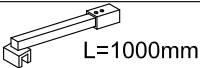
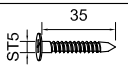
Ref	Description	Illustration	Qty
S06	Screw ST4x30		4
S07	Screw ST4x35		1
S08	Screw ST4x10		3


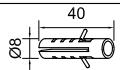

Ref	Description	Illustration	Qty
S09	Screw cover		3
S10	Wall plug		5
	3.0MM Drill Bit		1

Assembly Instructions

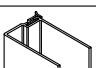

Wetroom Enclosure

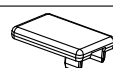


Contents for Front Panel Support Bar (Sold Separately) Parts Supplied

Ref	Description	Illustration	Qty
S12	Support Bar		1
S16	Screw ST5x35		1

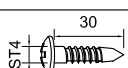
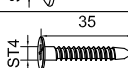
Ref	Description	Illustration	Qty
S17	PVC washer		1
S18	Wall plug		1
	2.5mm allen key		1

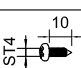
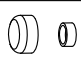
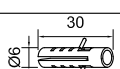
Contents for Side Panel(Sold Separately) Parts Supplied

Ref	Description	Illustration	Qty
S01	Wall profile		1
S03	Wall profile cover		1

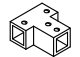
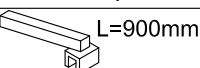
Ref	Description	Illustration	Qty
S04	Vertical profile cover		1
S05	Bottom glass clamp & washer		1
S11	Side panel		1


Contents for Side Panel Fittings Supplied

Ref	Description	Illustration	Qty
S06	Screw ST4x30		4
S07	Screw ST4x35		1

Ref	Description	Illustration	Qty
S08	Screw ST4x10		3
S09	Screw cover		3
S10	Wall plug		5

Contents for Side Panel Support Bar (Sold Separately) Parts Supplied

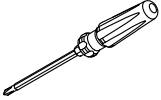

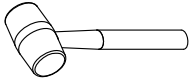
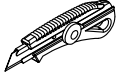


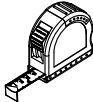



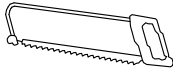
Ref	Description	Illustration	Qty
S14	T-shaped connector		1
S15	Support Bar		1

Ref	Description	Illustration	Qty
S17	PVC washer		1

Assembly Instructions

Wetroom Enclosure

Tools Required(not supplied)

Magnetic Crosshead Screwdriver		Silicone Sealant	
Rubber Mallet		Knife	
Spirit Level		Pencil	
Tape Measure		6mm Drill Bit (suitable for wall type)	Ø6 
Power Drill (with hammer action)		8mm Drill Bit (suitable for wall type)	Ø8 
		Hacksaw	

Assembly Instructions

Wetroom Enclosure

Before You Start

·WARNING : Please read these instructions through carefully before you start the installation. Incorrect product installation may result in serious product failure in use.

Always follow the instructions and retain them for future use.

·The enclosure is designed to allow for 20mm adjustment when fitted to “out of true” walls.

The thickness of the tiles used will affect the overall position of the enclosure on the tray.

·Check the pack and ensure that you have all of the parts listed . If not, contact your vendor.

·When you are ready to start, make sure you have the right tools to hand, plenty of space and a clean dry area for assembly.

·Two people are required for assembly. Please note that although these instructions are comprehensive, it is always recommended that a technically competent installer should undertake installation.

·Ensure that the enclosure is fitted to a level tray or floor and vertical walls .

·Please note: The wall plugs included with this product are suitable for solid walls only. Plasterboard or stud walls may require specialized fixings which are not provided. (Always ensure that the wall plugs or fittings are correct for the wall type.)

·Caution: Please handle all glass with care. Any damage to the edges, or scratches to the surface that occur during assembly or normal use can cause the glass to break suddenly. Tempered glass will shatter into very small pieces that will still have sharp edges.

·Caution: Care should be taken when drilling into walls to avoid hidden pipes or electrical cables.

·When working near a tray or bath, ensure that the waste is covered so that small parts do not fall down it.

Assembly Instructions

Wetroom Enclosure

Guarantee

This Guarantee is offered by PJH House, Lomax Way, Bolton, BL5 1FQ.

This product is guaranteed from the date of original purchase against manufacturing defects.

This Guarantee relates to products purchased for domestic use only and is subject to the terms and conditions stated below.

The product is covered by a lifetime Guarantee

This excludes normal wear and tear & perishable components such as seals, sliders, rollers, hinges and magnetic seals, which are covered by a 12 month guarantee.

What are the conditions?

These products are guaranteed against manufacturing defects only.

PJH must be given reasonable opportunity to inspect the product in the installed situation. In circumstances where it is not reasonably practicable for the product to remain in situ the product should be retained for inspection.

All claims must be supported with the original receipt or other reasonable proof of purchase.

All claims must be made as soon as reasonably practicable once the defect has been discovered.

The Guarantee assumes reasonable maintenance and care of the product has been taken in accordance with the manufacturer's guidelines.

This Guarantee is non transferable to a new owner of the product if the product has been removed from the premises in which it was first installed and then reinstalled in other premises.

The Guarantee applies only to the single product in question and does not extend to the replacement of other products in the bathroom, general household fittings or furniture or to the repair of other consequential or incidental damage arising from a defective product, that could not be reasonably foreseen at the time the

Assembly Instructions

Wetroom Enclosure

product was purchased or installed.

We may ask you to carry out reasonable diagnostic checks or we may ask to inspect the product installed before we validate a claim under the guarantee

What is not covered under the Guarantee?

- Products that have been damaged or neglected as a result of a failure to store, assemble, install, use or care for the products in accordance with the manufacturer's instructions. We will not accept responsibility under this Guarantee if a product is damaged or becomes defective due to modification, misuse, neglect, wilful or accidental damage or act of God.
- Products damaged as a result of the use of strong chemicals, contrary to the manufacturer's instructions.
- Products sold or installed outside the UK or Republic of Ireland.
- Products not installed in accordance with the fixing instructions, the UK Water Supply (Water Fittings) Regulations 1999 (or any equivalent in respect of products installed in the Republic of Ireland) and general good plumbing practice.
- Faulty installation or any product that is installed with a fault that would have been clearly evident before installation.
- Normal wear and tear.

Liability under this Guarantee:

If the product fails due to a defect in materials or workmanship within the Guarantee period we shall repair or replace the product or part. If PJH cannot supply you with the same product because it is no longer available, at our sole discretion we will:

- Provide you with a replacement which is the closest alternative and which will be of the same or better specification than the original product purchased.

Assembly Instructions

Wetroom Enclosure

- Pay you the original purchase price of the product. If the product needs to be returned to the manufacturer we will reimburse any reasonable costs of returning the product if it is found to have a manufacturing fault.

These are the only remedies available under this guarantee.

How to claim under this Guarantee:

The claim must be made within the Guarantee lifetime.

All claimants should contact customer services department of your vendor in the first instance.

You will be asked for a copy of your original receipt or other reasonable proof of purchase.

Where this Guarantee applies to products purchased in the UK, English law shall apply and the Courts in England shall have jurisdiction over any dispute relating to this Guarantee.

Where this Guarantee applies to products purchased in the Republic of Ireland, Irish law shall apply and the Courts in the Republic of Ireland shall have jurisdiction over any dispute relating to this Guarantee.

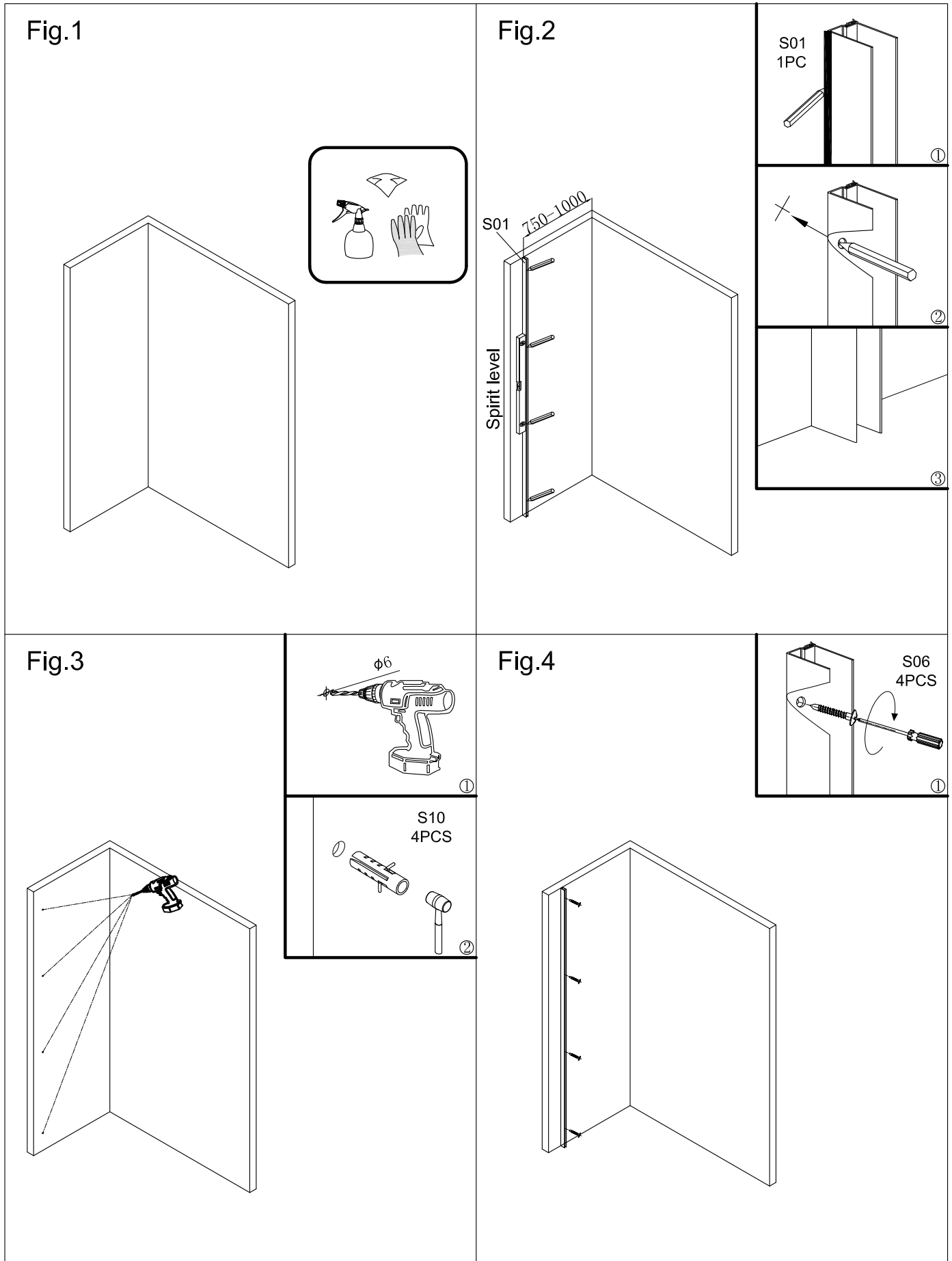
This guarantee does not affect your statutory rights. For further information on you statutory rights, please contact your local authority trading standards department or Citizen's Advice Bureau (or equivalent in the Republic of Ireland).

Please register your product at www.reflexionenclosures.uk/

Assembly Instructions

Wetroom Enclosure

Assembly (If without Side Panel)



Assembly Instructions Wetroom Enclosure

Fig.5

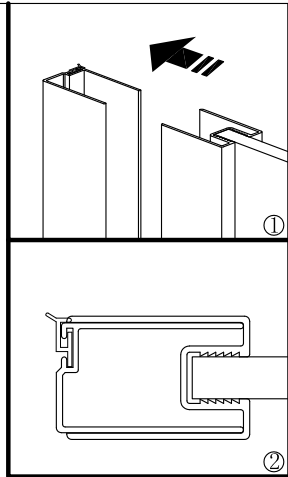
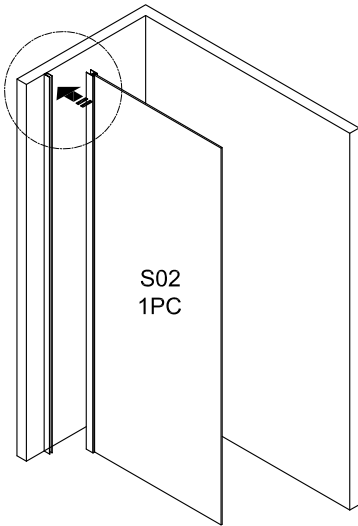


Fig.6

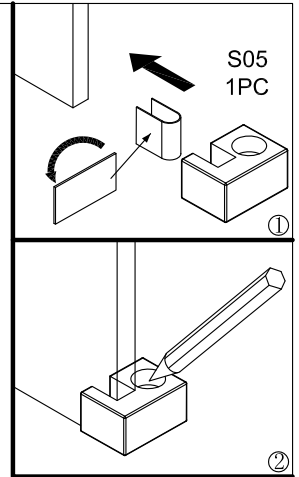
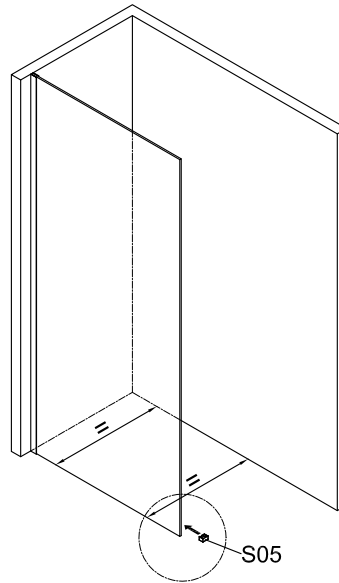


Fig.7

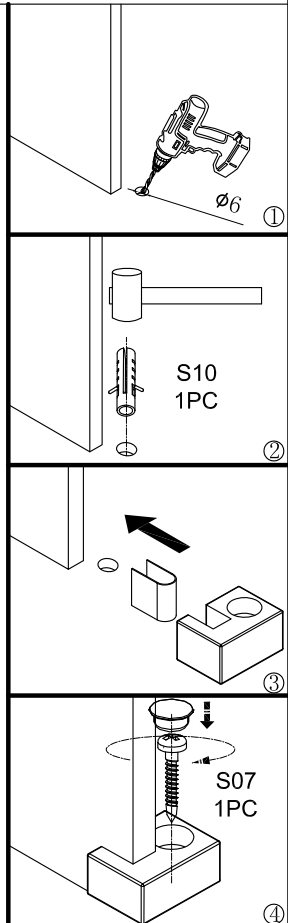
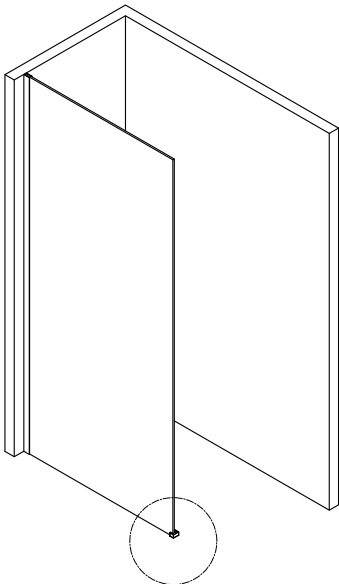
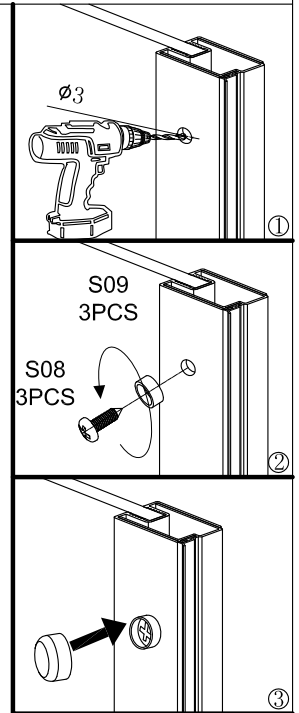
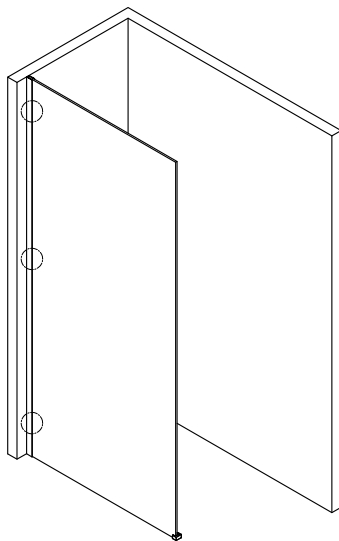


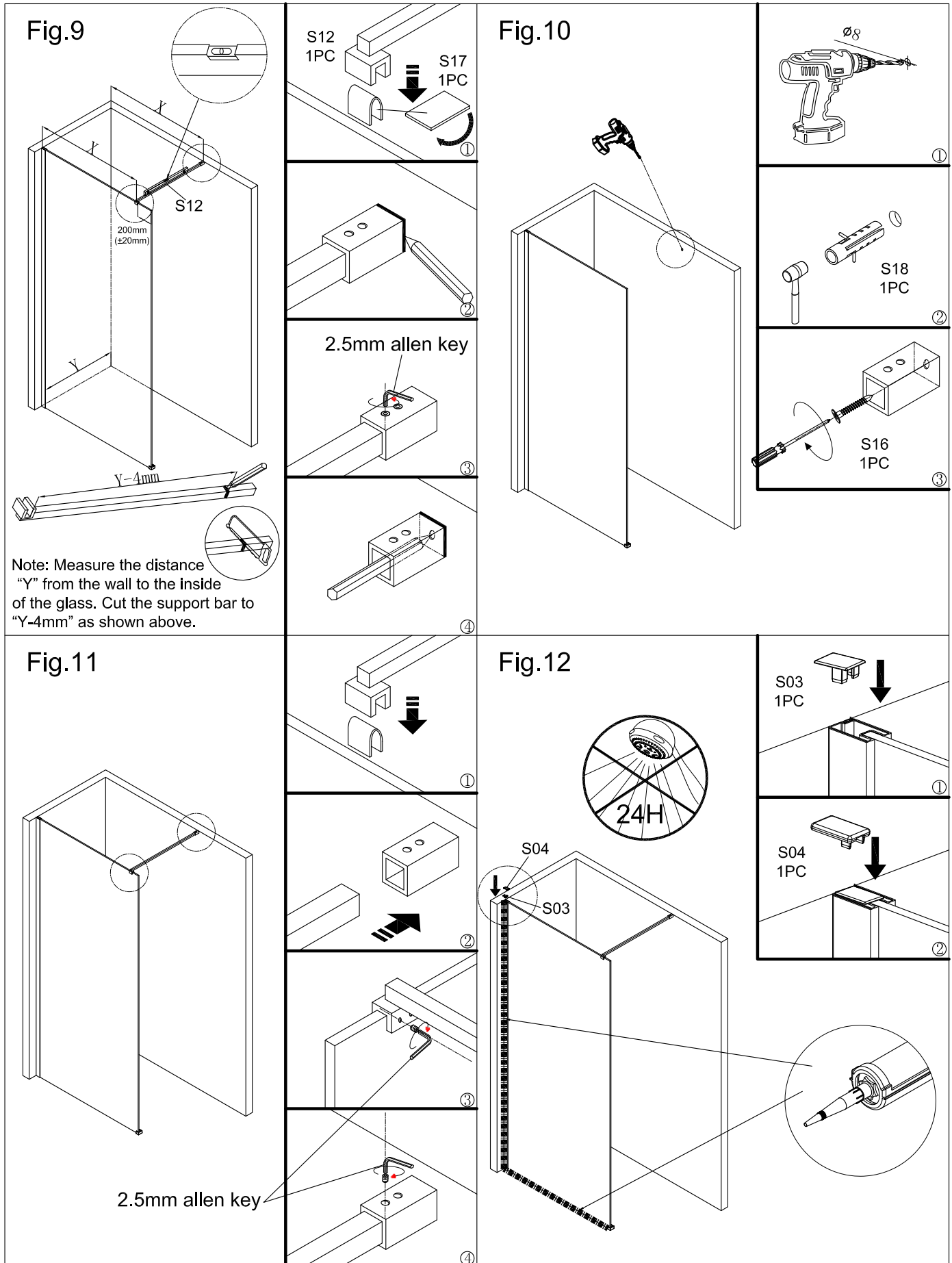
Fig.8



Note: if this enclosure is being installed onto a stone resin tray, the glass clamp must be secured using high quality, sanitary-grade silicone sealant. Stone resin trays must NOT be drilled into.

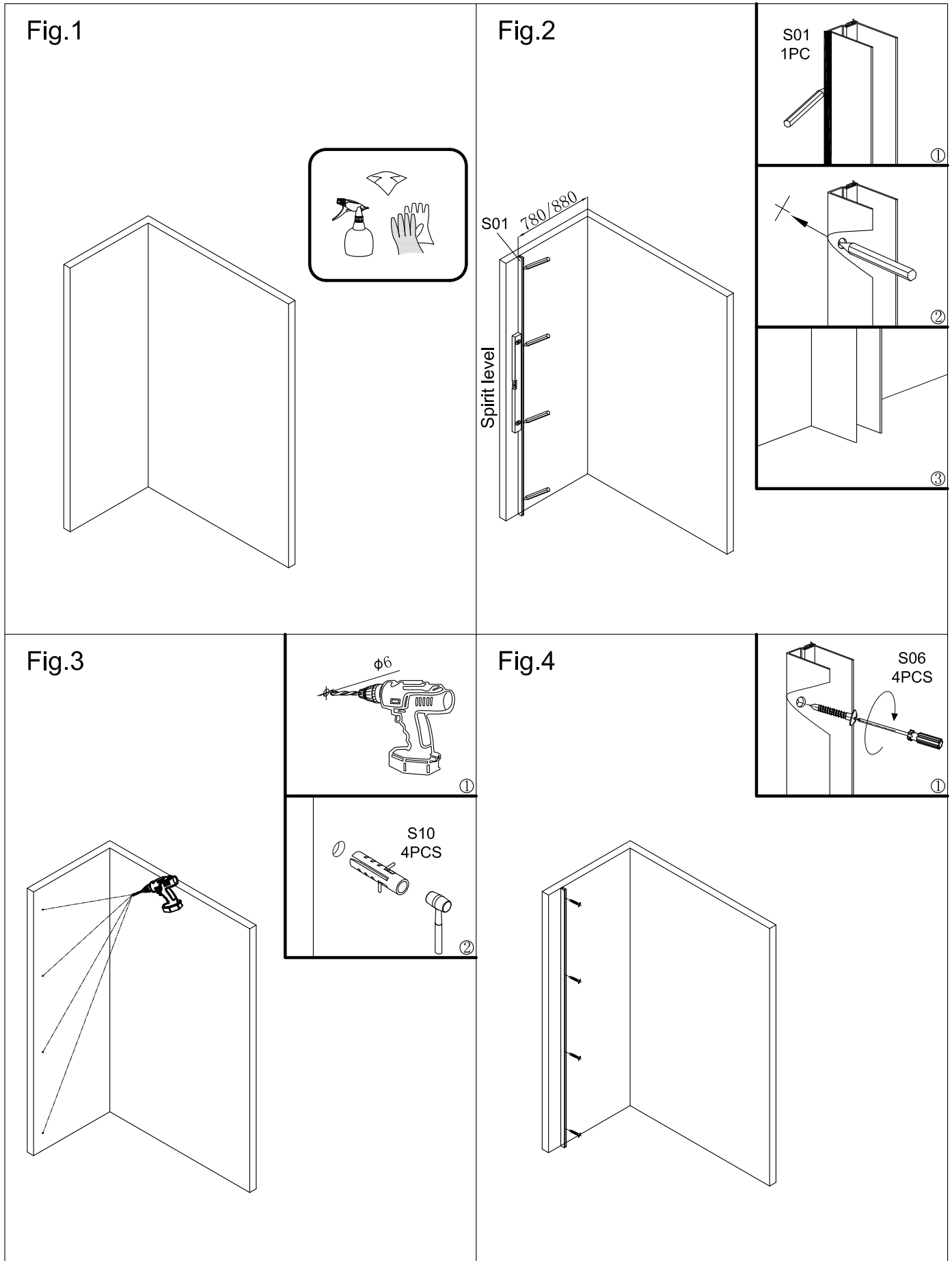
Assembly Instructions

Wetroom Enclosure



Assembly Instructions Wetroom Enclosure

Assembly(If with Side Panel)



Assembly Instructions Wetroom Enclosure

Fig.5

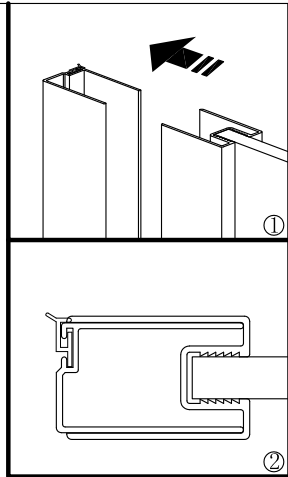
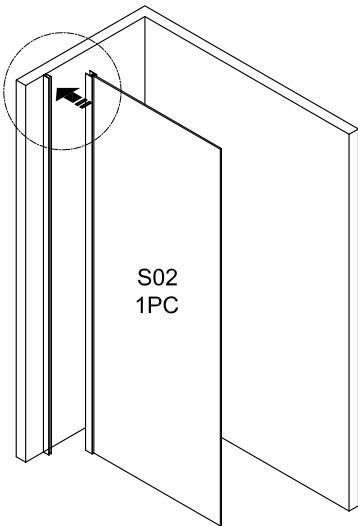


Fig.6

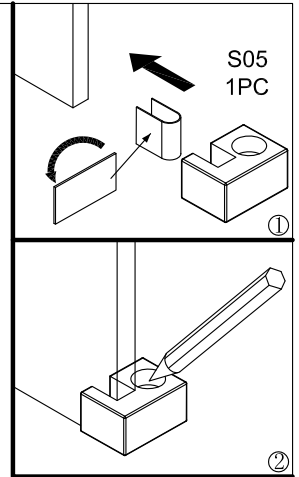
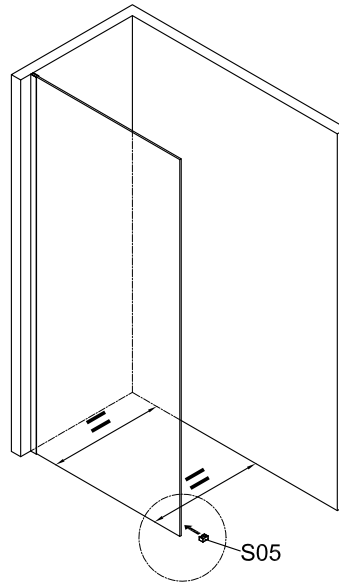


Fig.7

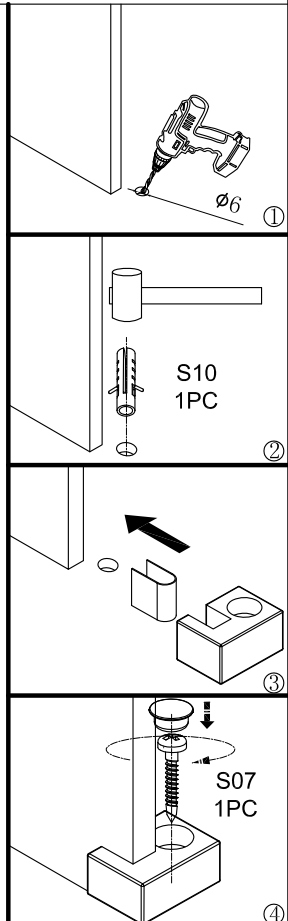
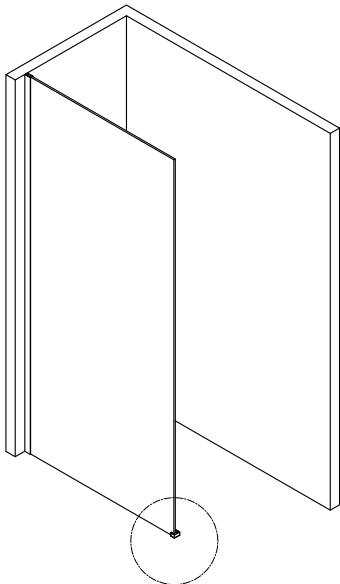
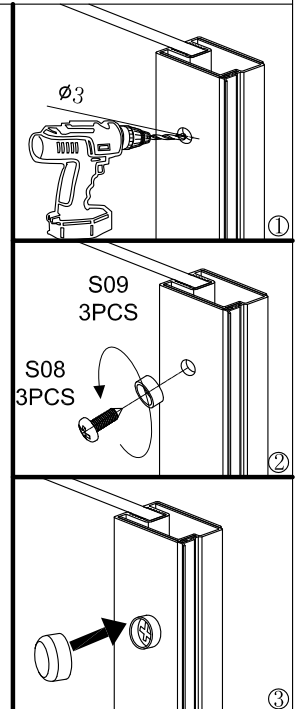
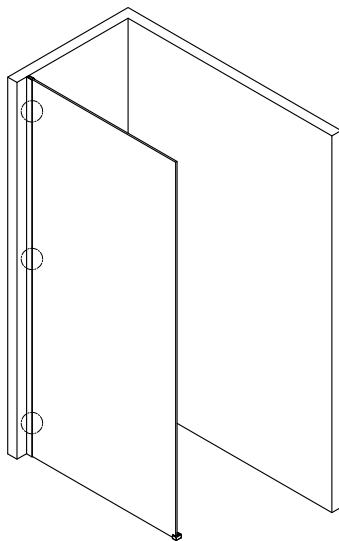


Fig.8



Note: if this enclosure is being installed onto a stone resin tray, the glass clamp must be secured using high quality, sanitary-grade silicone sealant. Stone resin trays must NOT be drilled into.

Assembly Instructions Wetroom Enclosure

Fig.9

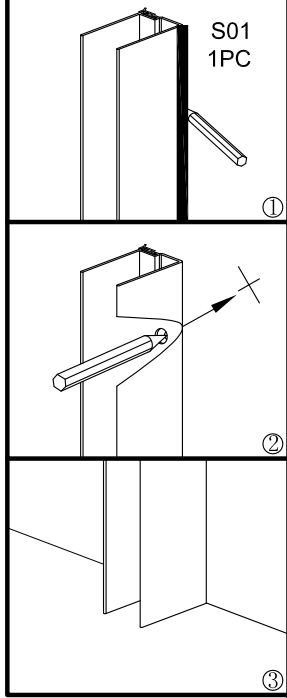
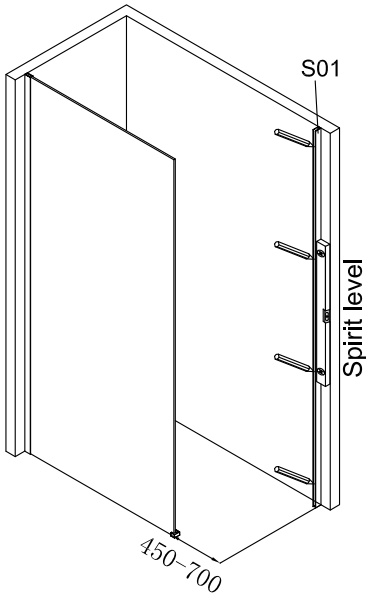


Fig.10

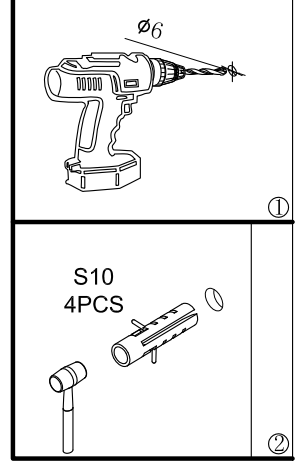
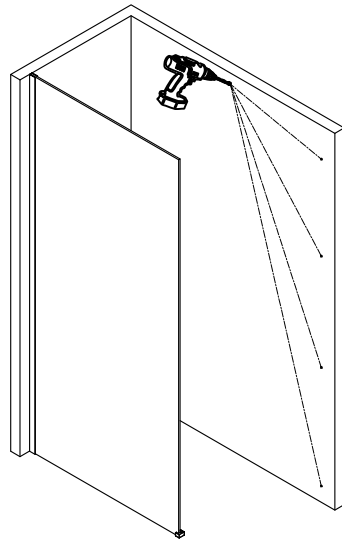


Fig.11

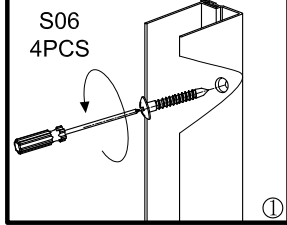
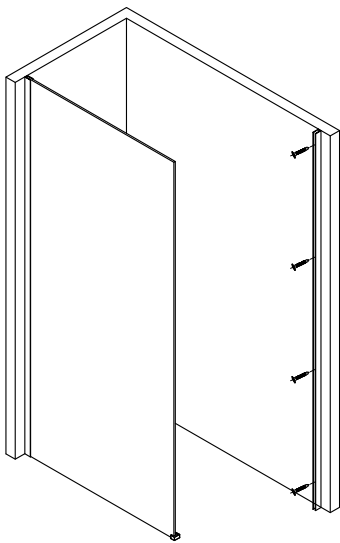
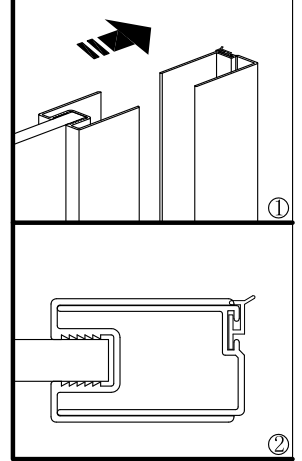
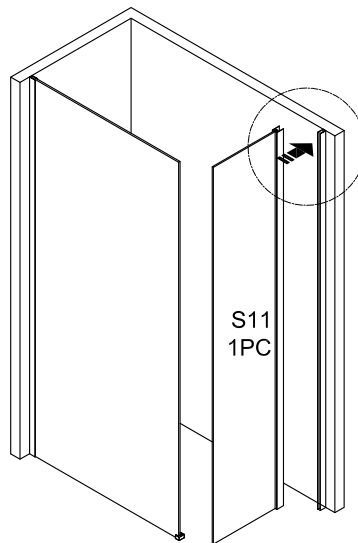


Fig.12



Assembly Instructions Wetroom Enclosure

Fig.13

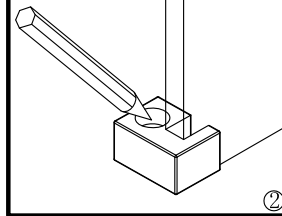
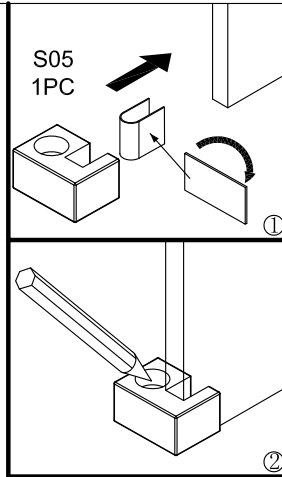
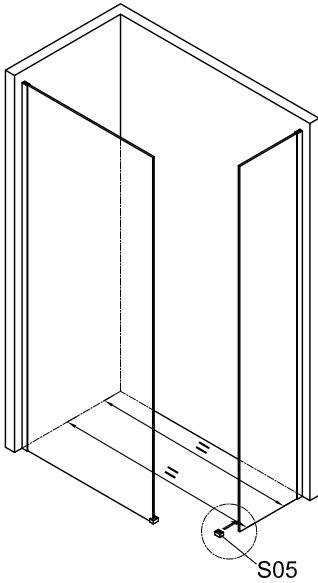
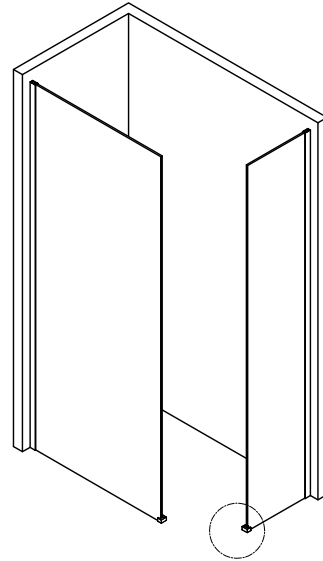


Fig.14



Note: if this enclosure is being installed onto a stone resin tray, the glass clamp must be secured using high quality, sanitary-grade silicone sealant. Stone resin trays must NOT be drilled into.

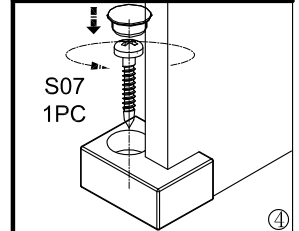
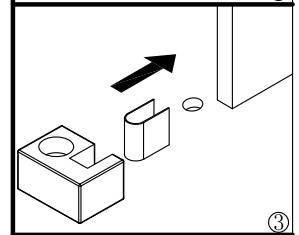
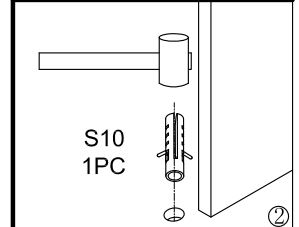
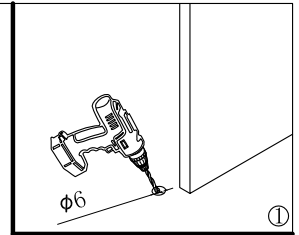


Fig.15

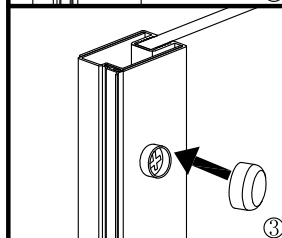
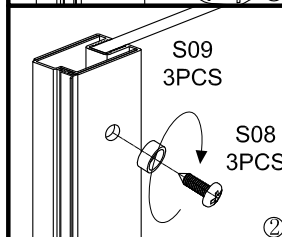
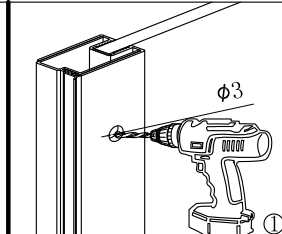
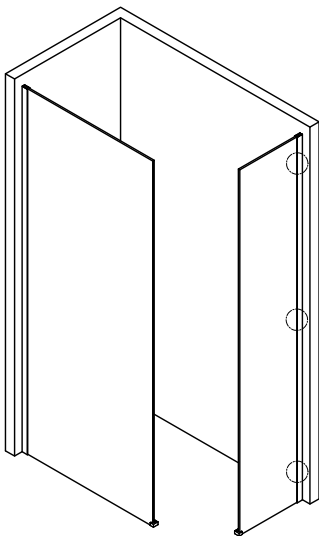
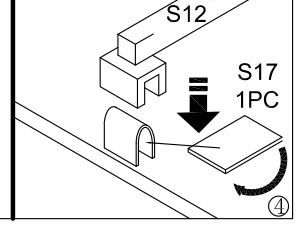
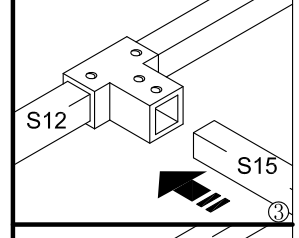
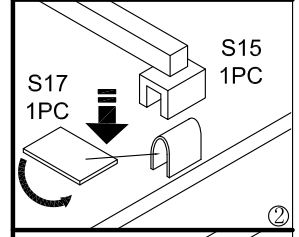
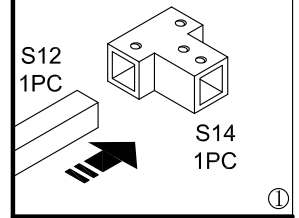
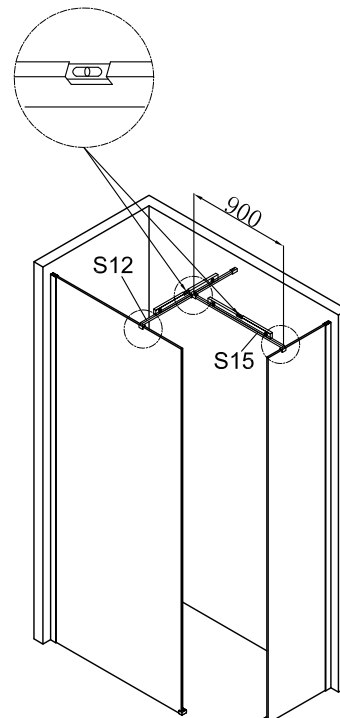


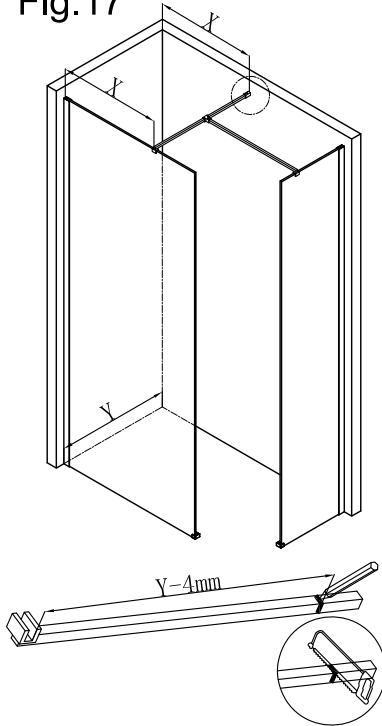
Fig.16



Assembly Instructions

Wetroom Enclosure

Fig.17



Note: Measure the distance "Y" from the wall to the inside of the glass. Cut the support bar to "Y-4mm" as shown above.

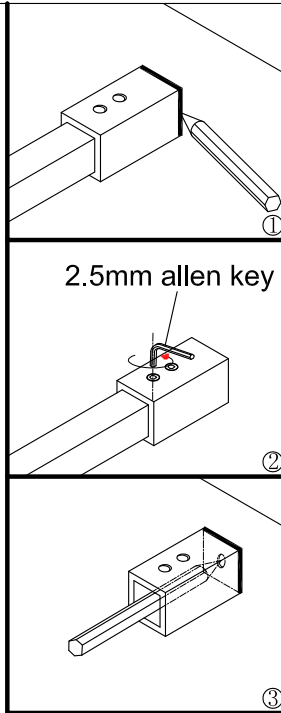


Fig.18

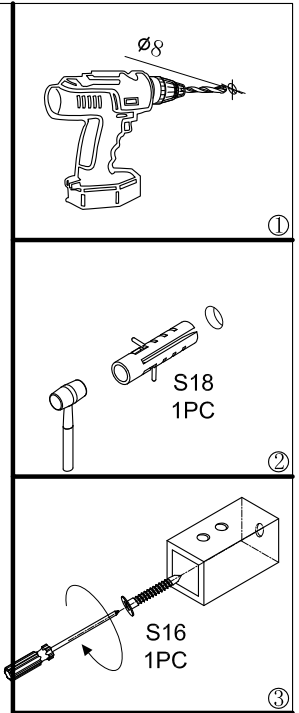
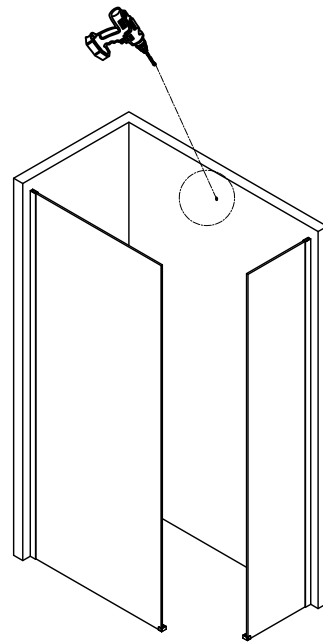


Fig.19

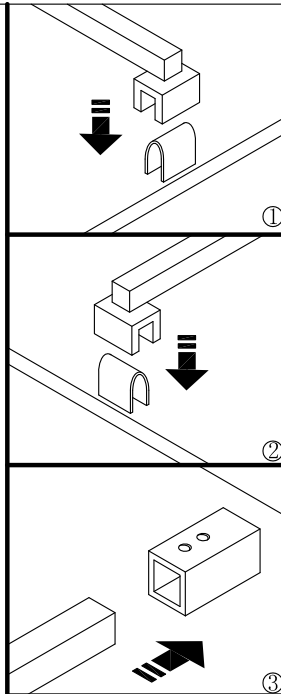
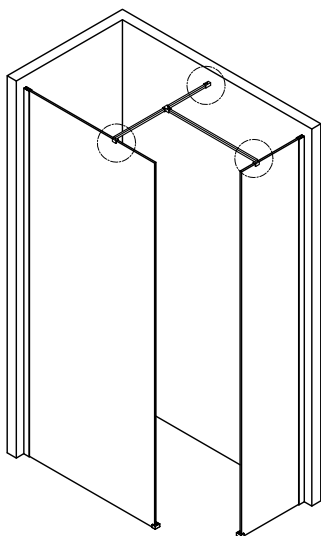
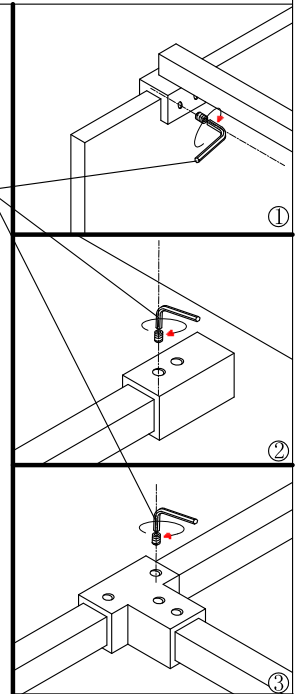
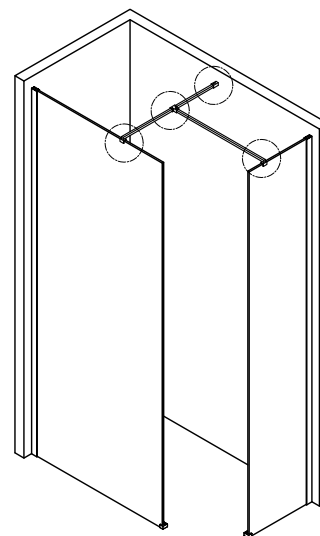
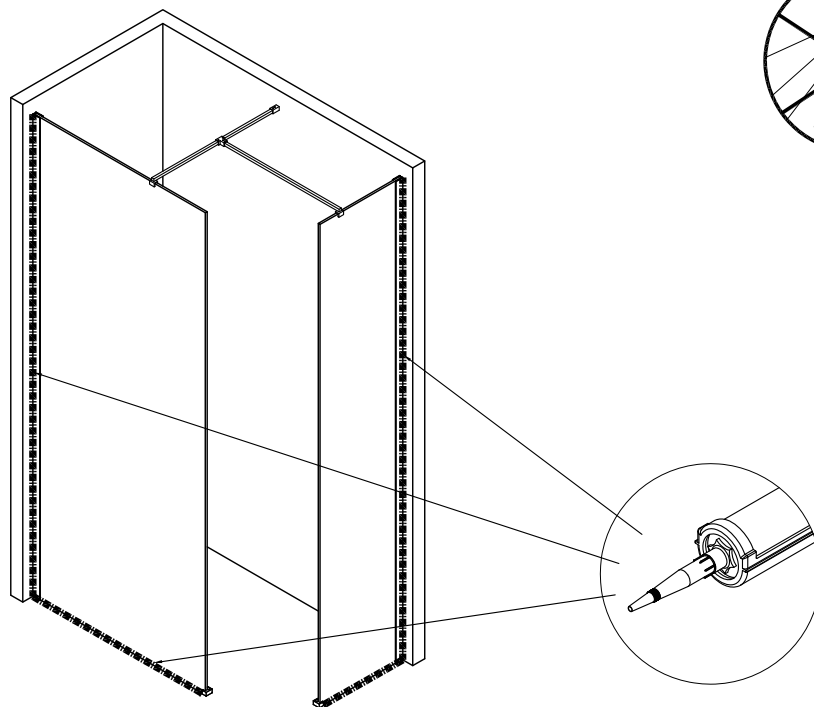
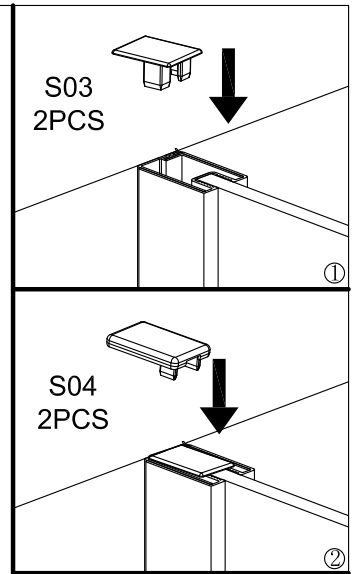
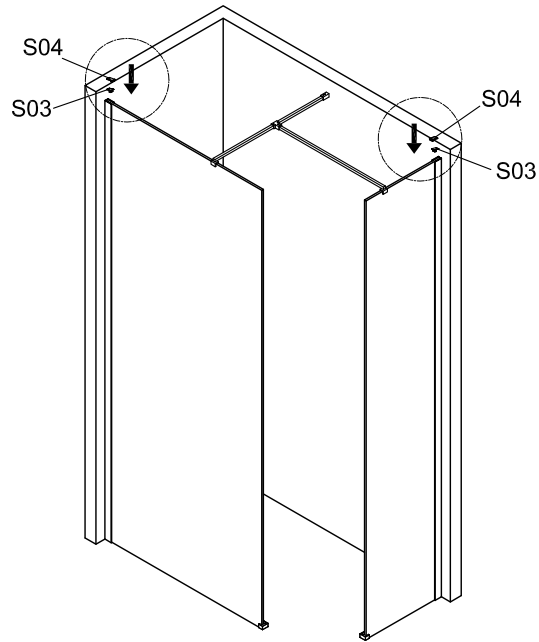


Fig.20



Assembly Instructions Wetroom Enclosure

Fig.21



Assembly Instructions

Wetroom Enclosure

Care & Use

Soapy water is adequate to keep the glass clean, although glass cleaner can be used if required. Scourers, abrasives and chemical cleaners can damage the glass and pattern, and should not be used.

In hard water areas, insoluble lime salts may be deposited on the glass. If this is allowed to build up it becomes increasingly difficult to remove and looks unsightly. Regular cleaning will minimize this effect.