

GUARANTEE CERTIFICATE

Acrylic Bathtubs

THANK YOU FOR THE PURCHASE,

Our acrylic bathtubs are high class products, manufactured for the most demanding of clients.

Specifications:

- highest quality sanitary acrylic panel,
- bathtub bottom supported by fixing board to increase durability

The manufacturer is not liable for any damage caused if assembly instructions have not been followed. This in particular concerns an assembly preventing easy and safe disassembly. In addition the manufacturer is not liable for assembly and disassembly costs and any extra costs related to bath replacement.

Instructions for use and surface maintenance

Acrylic surface can be easily cleaned right after the water has been drained. Remove sediment with a soft cloth or sponge soaked in a liquid detergent (gel, soap, shampoo). Do not use detergents containing abrasive components as they wear, abrade and tarnish the acrylic surface. The acrylic surface is resistant to acid and alkaline reactions. However, it needs to be protected from : organic solvents, fire and other sources of high temperature (lit cigarette, match), blows with objects (heavy or otherwise) with sharp or hard edges.



At the beginning, the product should be filled with cold water. Water temperature should not exceed 55 degrees Celsius, because higher temperature can cause burns and increases energy consumption, which affects the degeneration of the environment.

Guarantee Conditions:

- 10 year guarantee for the colour preservation of acrylic coating,
- 2 year guarantee for other elements

The guarantee does not cover any mechanical damage to the product or consequences of such damage, and in particular :

- any damage caused by using product for any purposes other than those it is intended for,
- incorrect transport and assembly,
- blows to the bathtub surface with sharp or hard objects,
- unauthorised repair and tampering with the structure of the bathtub.

The guarantee does not cover any damage caused by:

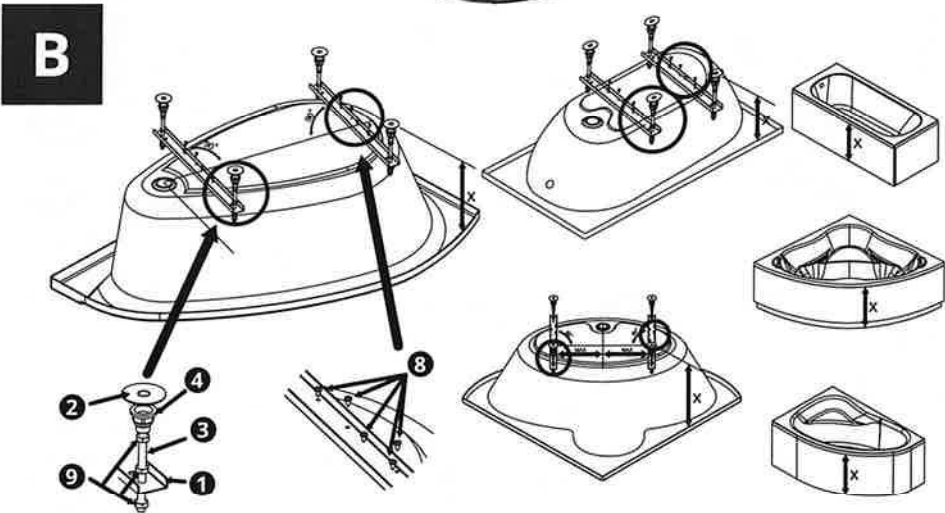
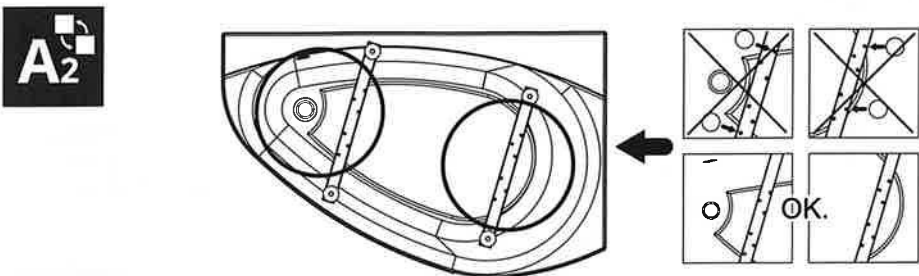
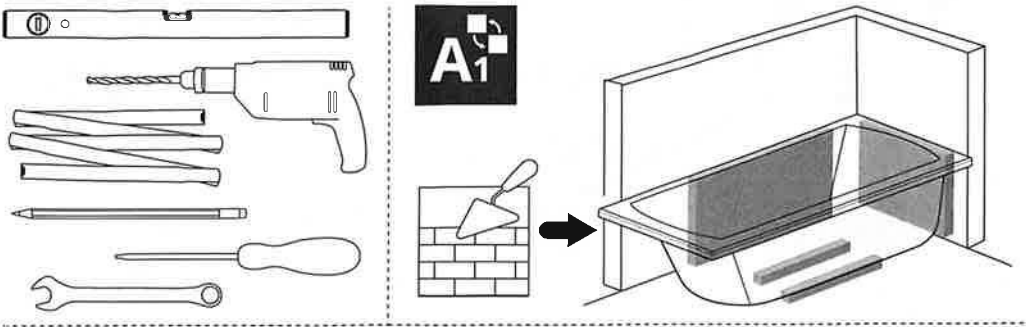
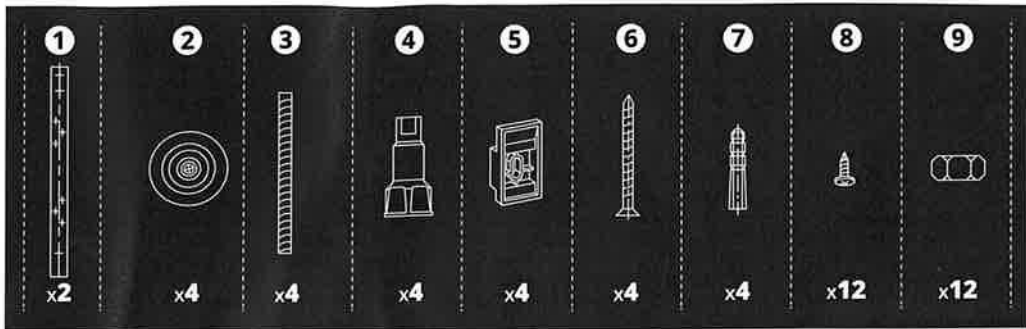
- organic solvents,
- fire or other sources of heat,
- abrasive paper or any other abrasive agents causing scratches.

Each bathtub is protected against mechanical damage by a protective film and paperboard. Remove the protective film when purchasing the bathtub in order to check its quality, and then wrap it in the film again to protect it against mechanical damage which may take place during transport or assembly. Complaints about visible production defects will not be considered after the bathtub has been installed. Faults and defects that occur within 21 days from the date of reporting them in writing. The guarantee is invalid without the purchase document, relevant signatures and stamps.

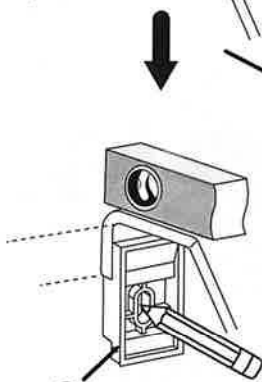
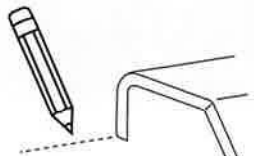
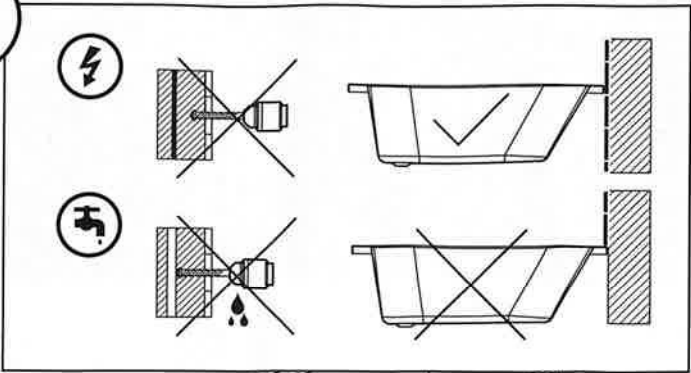
Bathtub Model	Stamp and Signature (Point of Sale)
Bathtub serial number	
Proof of purchase	
Date of sale	

UNI-NDWA-UK

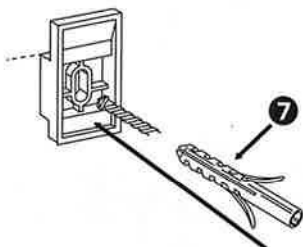
The guarantee is valid only in the EU, UK and Northern Ireland



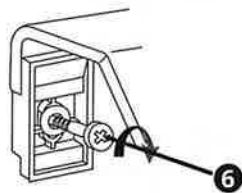
C



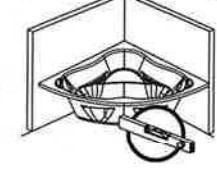
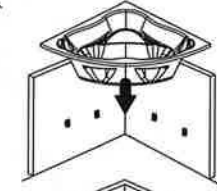
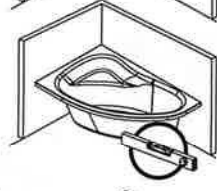
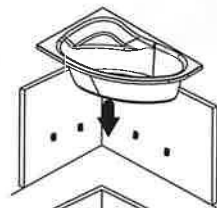
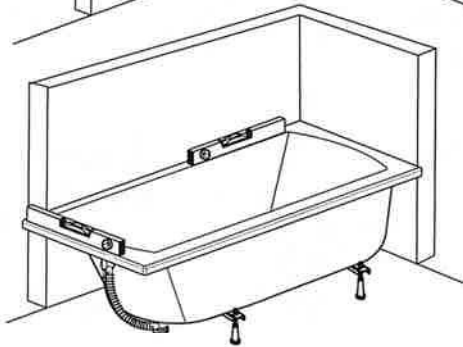
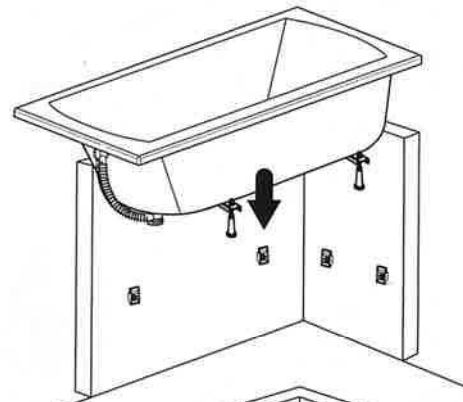
5

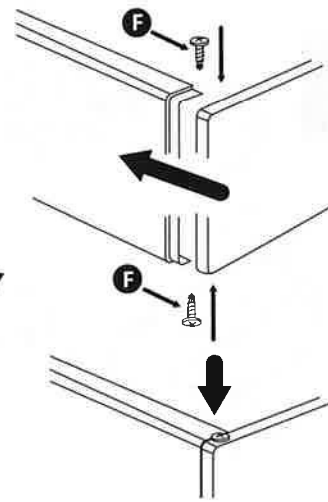
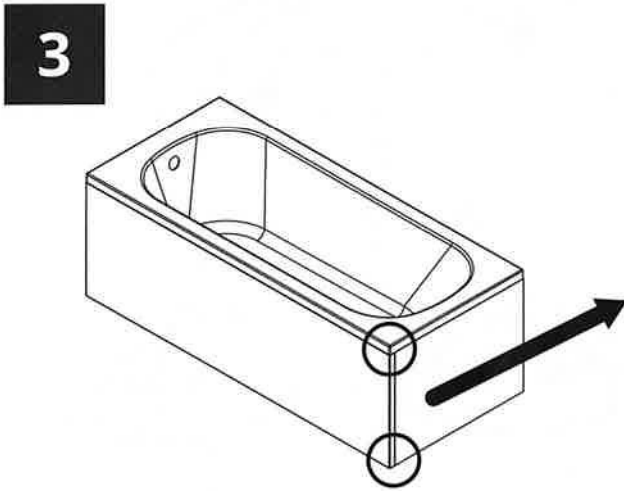
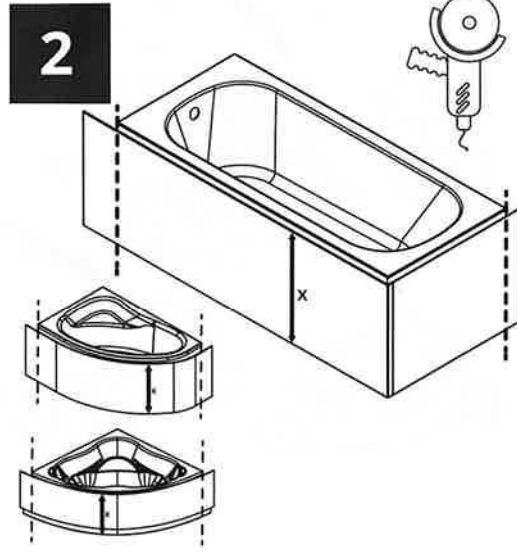
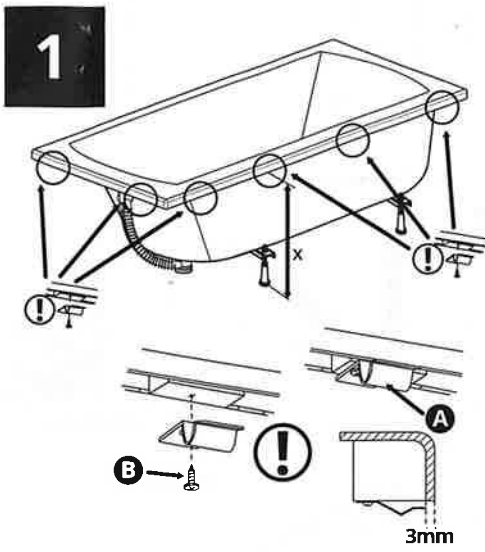
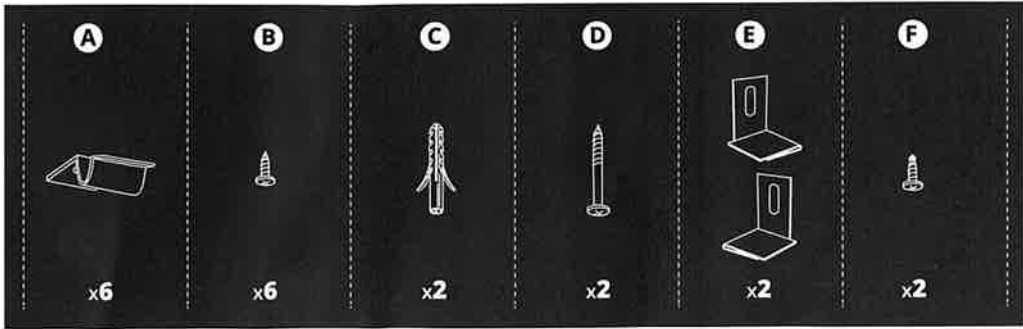


7

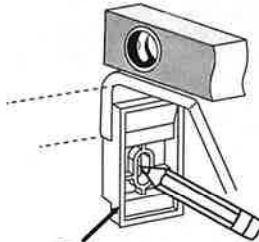
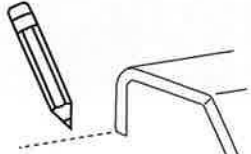
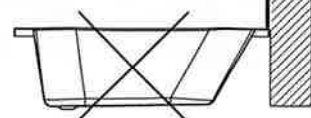
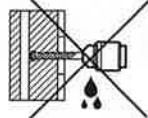
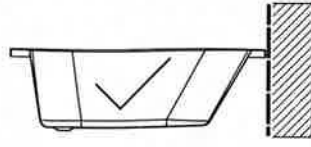
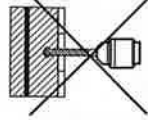


6

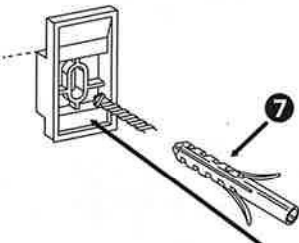




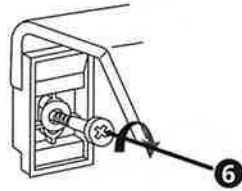
C



5



7



6

