

Technical Datasheet

Product Code: SY-VOD6BS021-N



Product Description: Synergy Vodas 6 Square Bath Screen With Extended Fixed Panel & Towel Rail

Specification

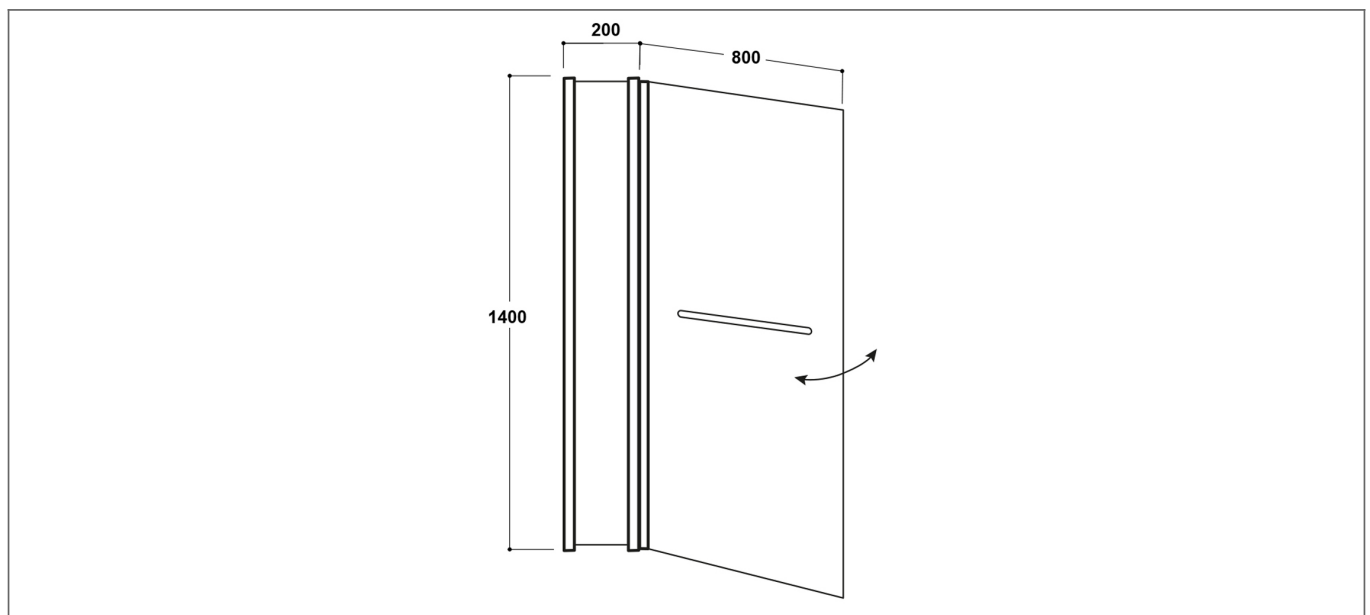
Product Guarantee:	Lifetime
Barcode:	SY-VOD6BS021-N
Packaged Weight (kg):	24.11 kg
Packaged Length (Metre):	1.93
Packaged Width (Metre):	0.78
Packaged Height (M3):	0.065
Material:	Glass
Adjustment:	10
Glass Style:	Toughened
Glass Thickness:	6 mm



Key Features

- Ultra modern curvaceous design with smooth & stylish lines
- Manufactured from high quality 6mm safety glass
- Reverse ability so can put fitted on either end of the bath
- Features sparkling silver effect on the profile
- Includes 1 fixed panel along with hinged screen
- Towel rail included to hang your bathing essentials
- Compatible accessories are available in the Synergy range

Technical Drawing



Dimensions: All measurements are in millimetres and are subject to normal manufacturing variations.

Due to a continuing development programme to improve design and performance, we reserve all rights to vary specifications without prior notice. Please note, all accessories are for photographic purposes only.