

Technical Datasheet

Product Code: SY-FSB306



Product Description: Synergy Cambridge 1780mm Traditional Single Ended Bath

Specification

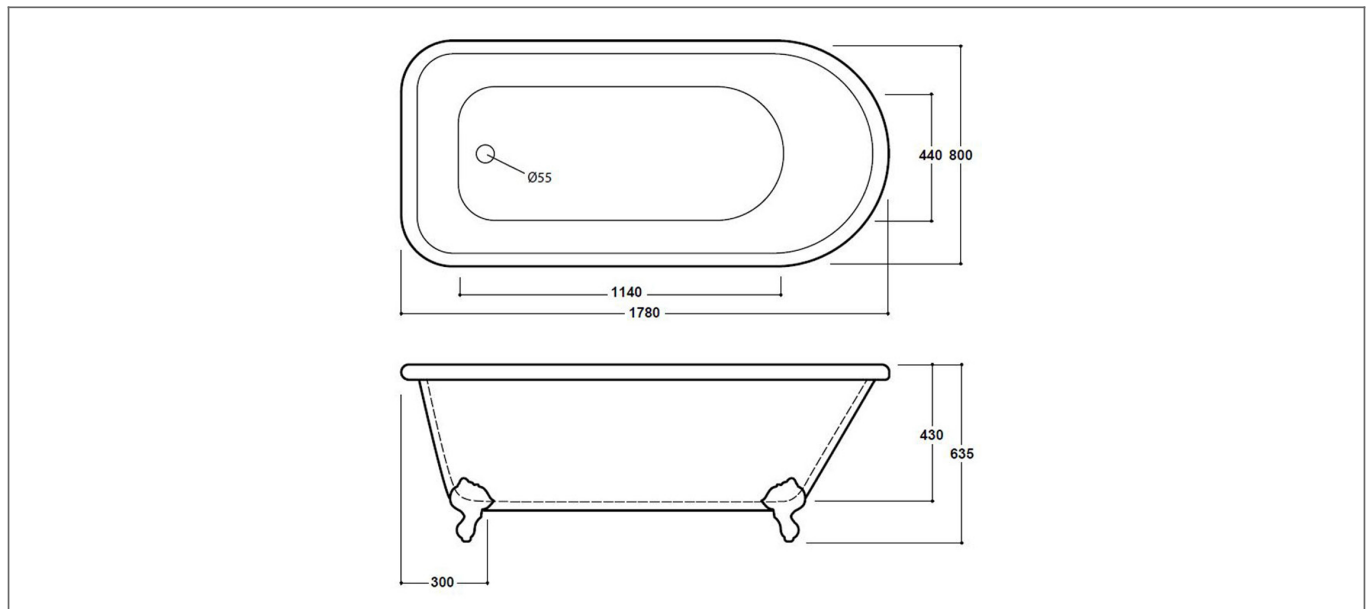
Material:	Acrylic
Style:	Traditional
Shape:	Round
Number Of Tap Holes:	0
Overflow Included:	No
Waste Included:	No
Product Guarantee:	Lifetime
Water Capacity (litres):	215



Key Features

- Modern curvaceous design with smooth & stylish lines
- Manufactured from high quality white 5mm acrylic
- Ideal for free standing mixer use but can be drilled if needed
- Lion claw feet included for a quick & easy installation
- Waste & overflow are available to purchase separate
- Alternatively available in 1470mm

Technical Drawing



Dimensions: All measurements are in millimetres and are subject to normal manufacturing variations.

Due to a continuing development programme to improve design and performance, we reserve all rights to vary specifications without prior notice. Please note, all accessories are for photographic purposes only.