

# Trieste



Mini Trieste 2 Column, 14 sections, 514mm high in Ancient Bronze with Antique Brass Vintage XL TRV's

## Overview

2 or 3 column  
6 heights  
Up to 40 sections

**Full range and sizes see pages 152-153**

© Registered trademark of Farrow & Ball Holdings Limited

## Finish

Complete Farrow & Ball® range  
see pages 40-43 for details

26 RAL colours, Burnished, clear lacquer  
and 31 Special Finishes

Standard Base primer ready to be painted  
in your desired finish



## Delivery

15 working days for RAL colours & Special  
finishes, 4 weeks for Lacquer, 5 weeks for  
Burnished

3-5 working days for primer

Please add 10 working days for orders of  
more than 10 radiators



Trieste 2 Column, 8 sections, 760mm high in a Burnished finish with standard footed end sections

# Cast Iron Range shown on pages 26-41

## Overview

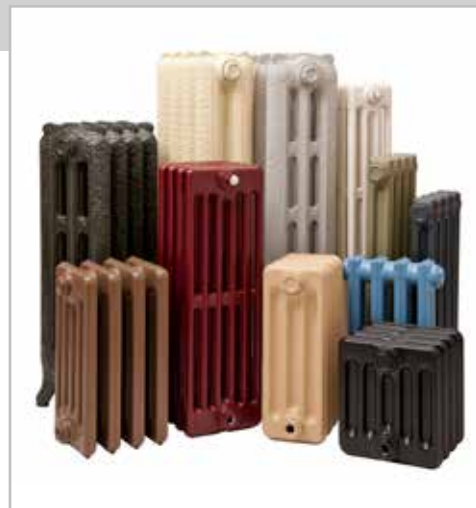
Cast Iron; 4 Column, 2 Classic and Ornate Styles  
Up to 20 years guarantee, CE approved & certified to BS EN442

## Finish

Aston; available in 26 RAL colours and a Polished finish  
Priory, Ledbury, Telford & Trieste; available in primer, 26 RAL colours, 31 Special Finishes, Polished or Burnished (Trieste) and Lacquered.  
Linton; 26 RAL colours, 4 Special finishes, 1 Galvanised Special Finish, Polished, Burnished & Lacquered. Please call **01342 302250** for a RAL / Special Finish chart

## Delivery

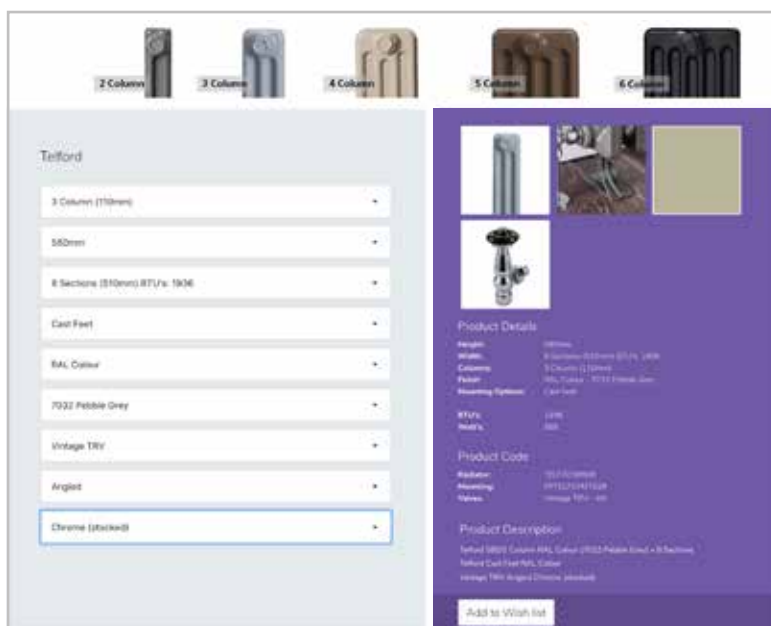
Aston; 15 working days for RAL colours, 5 weeks for Polished.  
Priory, Ledbury, Telford & Trieste; 3-5 working days for primer, 15 working days for RAL colours & special finishes. 4 weeks for Lacquer, 5 weeks for Polished & Burnished.  
Linton; 4-5 weeks dependent on finish see pages 154-156 for full details.  
Please add 10 working days for orders of more than 10 radiators



## Choose your radiator using our online radiator builder

Once you know your outputs use our online radiator builder to select the best solution for your room. It will take you through the process quickly and easily and allows you to save your ideas to your own Wish List. Go to our website [www.theradiatorcompany.co.uk](http://www.theradiatorcompany.co.uk)

It is vital to know the correct heat output you need to keep your room warm, use our online Heat Output Calculator to get a guide to your requirements which you can then check with your installer.



Once you know your outputs you can also use the brochure to specify your radiator by following these steps (or call our Customer Services team on 01342 302250 who will help you size your radiator)

- Note the space you have in mind for the radiator(s) you need; vertical or horizontal, length, height & depth
- Select a column option and height that fits your space; Calculate the number of sections you need by dividing the required BTU (Watt) output with the output per section; e.g 1913 BTUs divided by 242 = 8 sections, based on 3 column, 580mm high sections (always round up to the next whole number of sections)
- If using that section size does work in the space available, try a different column option or if possible a different height
- Once you have calculated the best number and size of section, select the best mounting option and kit; footed end section, cast feet or wall brackets. For the Ledbury, Aston, Priory & Telford you have the option of footed ends, cast feet or wall brackets. For the Trieste and Linton ranges these are only available with footed ends.
- Your cast iron radiator can be painted in a selection of the most popular colours from the RAL range, special finishes, in a polished or burnished finished (Trieste) or a lacquered finish. Please specify your chosen colour at time of order. Please note: as a result of the casting process, cast iron radiators have a rough surface finish with small imperfections which will show after the painting process.
- Work out the price of your radiator; e.g Telford 3 column, 580 high, 8 section, RAL 7032 = £57.29 x 8 = £458.32 + Cast feet Kit Model A (2) = £81.60 - Total = £539.92
- Place your order with your local Merchant using thesectional model code x No. of sections needed, noting the mounting option and the name and number of colour you have chosen; e.g TELF3C58 x 8 sections, RAL 7032 Pebble Grey with cast feet
- If you have chosen a colour make sure you list the colour number and name

All prices and outputs are given per section in the tables on pages 142-159. Price per section includes plugs, bushes and diverter. Mounting options must be selected separately, these will include the air vent and appropriate number of wall ties.





## Overview

Cast Iron; Footed ends only  
20 year guarantee, CE approved & certified to BS EN442

## Finish

Supplied in a standard primer, ready to be painted in your desired finish  
26 RAL colours, 31 special finishes, Burnished or Lacquered.  
Please call **01342 302250** for a RAL or Special Finish chart

## Delivery

3-5 working days for primer, 15 working days for RAL colours & special finishes.  
Up to 4 weeks for Lacquer, 5 weeks for Burnished.  
Please add 10 working days for orders of more than 10 radiators



Farrow & Ball® finishes available in selected sizes, see page 158 for full details

®Registered trademark of Farrow & Ball Holdings Limited

## Trieste sectional with footed end sections

Build your radiator to fit your requirements using individual sections shown below, visit page 141 to help you size your radiator. If you require more than 40 sections please contact our Customer Services team on 01342 302250.

### 2 Column

Model	Height A (mm)	Width B (mm)	Watts Δt 50°C	Btu's Δt 50°C	Primer Ex VAT	RAL Colour Ex VAT	Special Finishes Ex VAT	Lacquer Ex VAT	Burnished Ex VAT	Primer Inc VAT	RAL Colour Inc VAT	Special Finishes Inc VAT	Lacquer Inc VAT	Burnished Inc VAT
NTRIE2C66	661	76	130	444	£71.50	£106.29	£116.93	£140.31	£154.34	£85.80	£127.55	£140.32	£168.37	£185.21
NTRIE2C76	760	76	143	488	£78.10	£115.64	£127.19	£152.64	£167.90	£93.72	£138.77	£152.63	£183.17	£201.48
NTRIE2C95	955	76	168	573	£103.40	£154.18	£169.60	£203.52	£223.86	£124.08	£185.02	£203.52	£244.22	£268.63

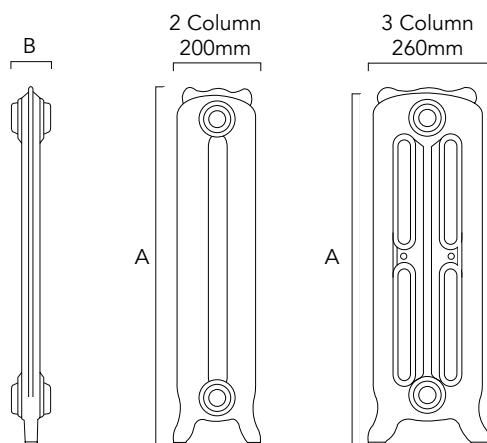
### 2 Column Mini Trieste

Model	Height A (mm)	Width B (mm)	Watts Δt 50°C	Btu's Δt 50°C	Primer Ex VAT	RAL Colour Ex VAT	Special Finishes Ex VAT	Lacquer Ex VAT	Burnished Ex VAT	Primer Inc VAT	RAL Colour Inc VAT	Special Finishes Inc VAT	Lacquer Inc VAT	Burnished Inc VAT
NMINTRIE2C51	514	76	110	375	£47.30	£70.08	£77.09	£92.51	£132.89	£56.76	£84.10	£92.51	£111.01	£159.47

### 3 Column

Model	Height A (mm)	Width B (mm)	Watts Δt 50°C	Btu's Δt 50°C	Primer Ex VAT	RAL Colour Ex VAT	Special Finishes Ex VAT	Lacquer Ex VAT	Burnished Ex VAT	Primer Inc VAT	RAL Colour Inc VAT	Special Finishes Inc VAT	Lacquer Inc VAT	Burnished Inc VAT
NTRIE3C76	768	78	189	645	£81.40	£121.48	£133.62	£160.34	£176.38	£97.68	£145.78	£160.34	£192.41	£211.66
NTRIE3C96	961	78	221	754	£107.80	£160.02	£176.03	£211.23	£232.34	£129.36	£192.02	£211.24	£253.48	£278.81

The Trieste is a free standing radiator and is supplied with footed end sections only.



Trieste	Pipe centres left to right	Pipe centres from wall
2 Column	76 x number of sections + 24mm bushes + valves	As a free standing radiator pipe centres depend on final position.
3 Column	78 x number of sections + 24mm bushes + valves	As a free standing radiator pipe centres depend on final position.

Some of the 31 special finishes the Trieste is available in, please call **01342 302250** for our special finish chart



# Trieste quick selection sizes shown on pages 38-39

## Quick Selection Sizes with footed ends (widths include measurement for bushes)

Available in 3-5 working days for primer, up to 15 working days for RAL colours

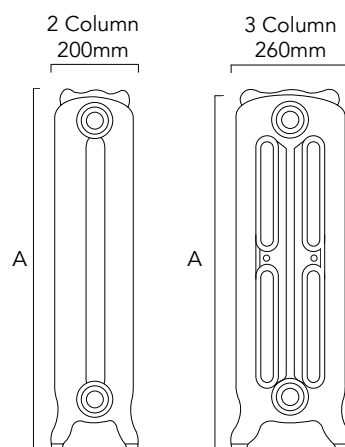
For our most popular sizes of Trieste radiators, simply find the sizes that fulfill your heat and space requirements.

If this quick selection does not meet your requirements you can use the sectional stock tables adjacent to work out other stock sizes to fit your space. For more details see information on page 152.

Important Note: Due to the weight of Trieste radiators, we can only supply complete or part assembled radiators up to a maximum of 10 sections.

Radiators over 10 sections must be site assembled with a suitable joining key available on a sale or return basis (see page 151); appropriate nipples & gaskets are supplied.

Model	Column	Sections	Height A (mm)	Width B (mm)	Watts Δt 50°C	Btu's Δt 50°C	Primer Ex VAT	RAL Colour Ex VAT	Primer Inc VAT	RAL Colour Inc VAT
NTRIE2C66X8	2	8	661	632	1040	3548	£572.00	£850.32	£686.40	£1,020.38
NTRIE2C66X10	2	10	661	784	1300	4436	£715.00	£1,062.90	£858.00	£1,275.48
NTRIE2C66X13	2	13	661	1012	1690	5766	£929.50	£1,381.77	£1,115.40	£1,658.12
NTRIE2C66X16	2	16	661	1240	2080	7097	£1,144.00	£1,700.64	£1,372.80	£2,040.77
NTRIE2C66X18	2	18	661	1392	2340	7984	£1,287.00	£1,913.22	£1,544.40	£2,295.86
NTRIE2C76X8	2	8	760	632	1040	3548	£624.80	£925.12	£749.76	£1,110.14
NTRIE2C76X10	2	10	760	784	1300	4436	£781.00	£1,156.40	£937.20	£1,387.68
NTRIE2C76X13	2	13	760	1012	1690	5766	£1,015.30	£1,503.32	£1,218.36	£1,803.98
NTRIE2C76X16	2	16	760	1240	2080	7097	£1,249.60	£1,850.24	£1,499.52	£2,220.29
NTRIE2C76X18	2	18	760	1392	2340	7984	£1,405.80	£2,081.52	£1,686.96	£2,497.82
NTRIE2C95X8	2	8	955	632	1344	4586	£827.20	£1,233.44	£992.64	£1,480.13
NTRIE2C95X10	2	10	955	784	1680	5732	£1,034.00	£1,541.80	£1,240.80	£1,850.16
NTRIE2C95X13	2	13	955	1012	2184	7452	£1,344.20	£2,004.34	£1,613.04	£2,405.21
NTRIE2C95X16	2	16	955	1240	2688	9171	£1,654.40	£2,466.88	£1,985.28	£2,960.26
NTRIE2C95X18	2	18	955	1392	3024	10318	£1,861.20	£2,775.24	£2,233.44	£3,330.29
NTRIE3C76X8	3	8	768	648	1512	5159	£651.20	£971.84	£781.44	£1,166.21
NTRIE3C76X10	3	10	768	804	1890	6449	£814.00	£1,214.80	£976.80	£1,457.76
NTRIE3C76X13	3	13	768	1038	2457	8383	£1,058.20	£1,579.24	£1,269.84	£1,895.09
NTRIE3C76X16	3	16	768	1272	3024	10318	£1,302.40	£1,943.68	£1,562.88	£2,332.42
NTRIE3C76X18	3	18	768	1428	3402	11608	£1,465.20	£2,186.64	£1,758.24	£2,623.97
NTRIE3C96X8	3	8	961	648	1768	6032	£862.40	£1,280.16	£1,034.88	£1,536.19
NTRIE3C96X10	3	10	961	804	2210	7541	£1,078.00	£1,600.20	£1,293.60	£1,920.24
NTRIE3C96X13	3	13	961	1038	2873	9803	£1,401.40	£2,080.26	£1,681.68	£2,496.31
NTRIE3C96X16	3	16	961	1272	3536	12065	£1,724.80	£2,560.32	£2,069.76	£3,072.38
NTRIE3C96X18	3	18	961	1428	3978	13573	£1,940.40	£2,880.36	£2,328.48	£3,456.43



## Mini Trieste (widths include measurement for bushes)

Model	Column	Sections	Height A (mm)	Width B (mm)	Watts Δt 50°C	Btu's Δt 50°C	Primer Ex VAT	RAL Colour Ex VAT	Primer Inc VAT	RAL Colour Inc VAT
NMINTRIE2C51X8	2	8	514	632	880	3003	£378.40	£560.64	£454.08	£672.77
NMINTRIE2C51X10	2	10	514	784	1100	3753	£473.00	£700.80	£567.60	£840.96
NMINTRIE2C51X13	2	13	514	1012	1430	4879	£614.90	£911.04	£737.88	£1,093.25
NMINTRIE2C51X16	2	16	514	1240	1760	6005	£756.80	£1,121.28	£908.16	£1,345.54
NMINTRIE2C51X18	2	18	514	1392	1980	6756	£851.40	£1,261.44	£1,021.68	£1,513.73

Trieste & Mini Trieste	Pipe centres left to right	Pipe centres from wall
2 Column	width + valves	As a free standing radiator pipe centres depend on final position.
3 Column	width + valves	As a free standing radiator pipe centres depend on final position.

26 RAL colours and 31 special finishes available for your cast iron radiator to be painted in.



# Cast iron cast feet

All our cast iron radiators (except 3 and 5 column Telford's ) will be supplied with footed end sections as standard; if you require optional Cast Feet please specify at time of order by adding the relevant kit and price below.

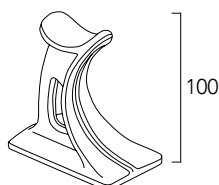
Wall Brackets are also available on request, please call 01342 302250 to discuss with our customer service team.

Up to 20 Sections	21 - 39 Sections (odd number of sections)	22 - 40 Sections (even number of sections)
2 Feet - 1 at each end	3 Feet - 1 at each end and 1 positioned centrally	4 Feet - 1 at each end and 2 spaced equally inbetween
2 Wall Ties	3 Wall Ties	4 Wall Ties

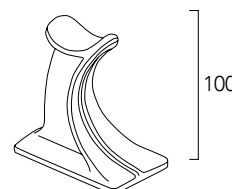
Wall Ties are included in the price and supplied as standard for all orders. Please specify your chosen mounting option at time of order.

## Cast Feet Kits for Aston, Priory, Ledbury & Telford

### Model A Cast Feet; Aston, Priory, Telford



### Model B Cast Feet; Ledbury



Model A	Model B	Number of Feet	Primer Ex VAT	RAL Colour Ex VAT	Special Finish Ex VAT	Polished & Lacquer Ex VAT	Primer Inc VAT	RAL Colour Inc VAT	Special Finish Inc VAT	Polished & Lacquer Inc VAT
PPPRIOCFKIT2	PPLEDBCFCIT2	2	£42.00	£68.00	£90.00	£90.00	£50.40	£81.60	£108.00	£108.00
PPPRIOCFKIT3	PPLEDBCFCIT3	3	£64.00	£102.00	£134.00	£134.00	£76.80	£122.40	£160.00	£160.00
PPPRIOCFKIT4	PPLEDBCFCIT4	4	£85.00	£136.00	£179.00	£179.00	£102.00	£163.20	£214.80	£214.80

Please specify the correct cast foot model at time of order; model A if you are buying cast feet for the Aston, Priory or Telford, model B for the Ledbury.

If you require additional cast feet or wall ties please see pricing table below and specify at time of order

Model A	Model B	Description	Primer Ex VAT	RAL Colour Ex VAT	Special Finish Ex VAT	Polished & Lacquer Ex VAT	Primer Inc VAT	RAL Colour Inc VAT	Special Finish Inc VAT	Polished & Lacquer Inc VAT
PPANSFM01	PPCIFM01	Cast foot (each)	£18.00	£31.00	£43.00	£43.00	£21.60	£37.20	£51.60	£51.60
	PPCIWT01	Wall tie (each)	£4.00	£5.00	£6.00	£6.00	£4.80	£6.00	£7.20	£7.20

**Aston;** Please remember to minus 60mm then add 100mm to the height of the Aston section when using Cast Feet.

**Priory;** Please remember to minus 70mm then add 100mm to the height of the Priory section you have chosen if you are using Cast Feet.

**Telford;** Please remember to add 100mm to the height of the Telford section you have chosen if you are using Cast Feet.

**Ledbury;** Please remember to minus a maximum of 60mm (allowing for 5mm variation) then add 100mm to the height of the Ledbury section if you are using Cast Feet (Ledbury feet are slightly different in design to the other cast feet see drawing above)

## Joining Keys

Cast iron radiators come assembled up to a maximum of 10 sections. Radiators larger than these will require on site assembly using an appropriate Joining Key.

- The Basic key is for joining up to three 2, 3 or 4 column radiators, consisting of two blocks of sections to make one radiator. For more than 3 radiators you must use the Heavy Duty Joining Key available on a sale or return basis.
- The Heavy Duty joining key must be used to join all 5 or 6 column radiators and any radiator (2, 3, 4, 5 or 6 column) requiring more than two individual blocks of sections to be joined to make one radiator, or more than 3 radiators, in order to create the consistent torque required for a water tight seal.
- The Heavy Duty Joining Key is available on a sale or return basis.** Joining Keys must be specified at time of order for assistance please contact our Customer Service team on 01342 302250, they will also arrange a courier to collect it from you when you are ready.

Model	Description	Price Ex VAT	Price Inc VAT
PPASM	Basic Joining Key 1" x 300mm/600mm/900mm	£54.00	£64.80
PPASMT5	Heavy duty joining tool	£400.00	£480.00

Heavy Duty Joining Tool (includes tommy bar) engineered in the UK

