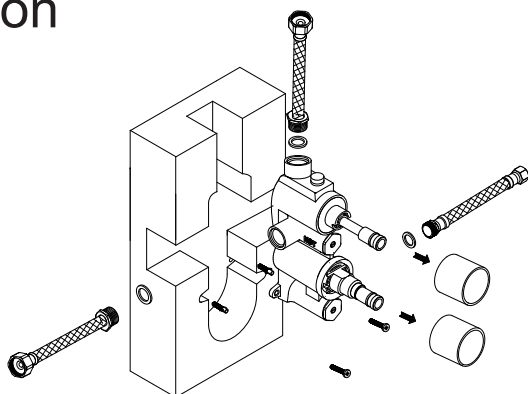
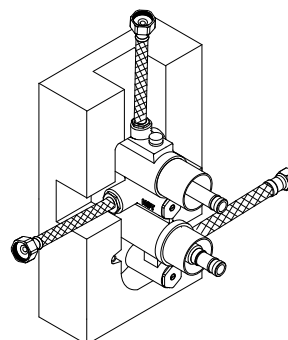


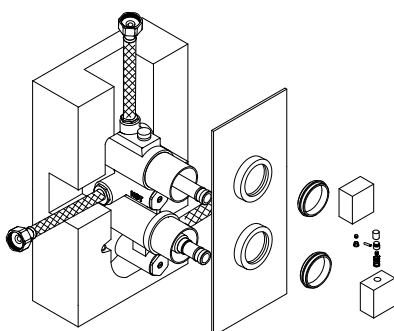
### Installation



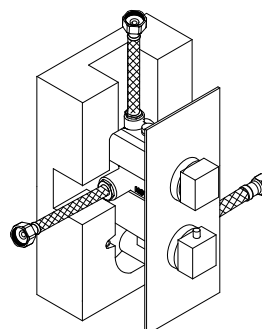
1



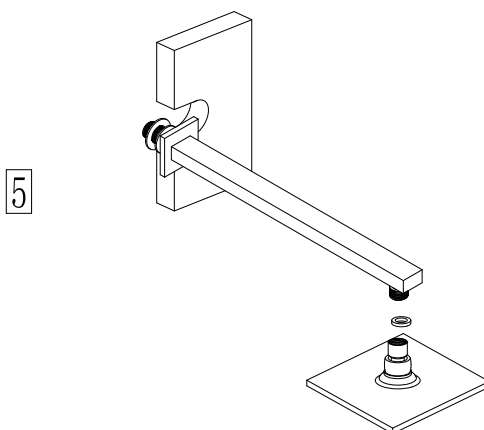
2



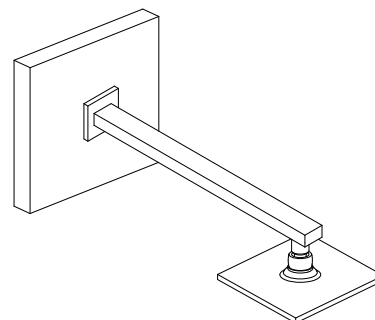
3



4

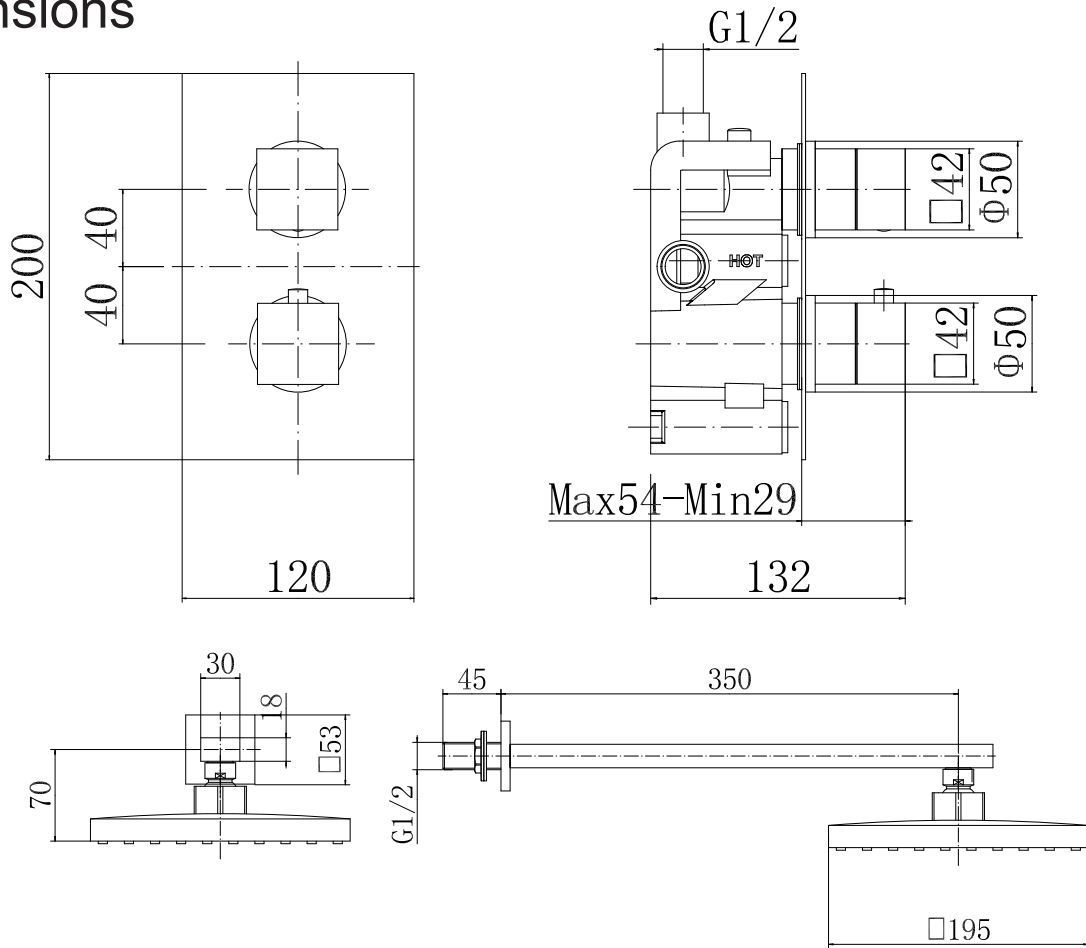


5



6

# Dimensions



# Components

