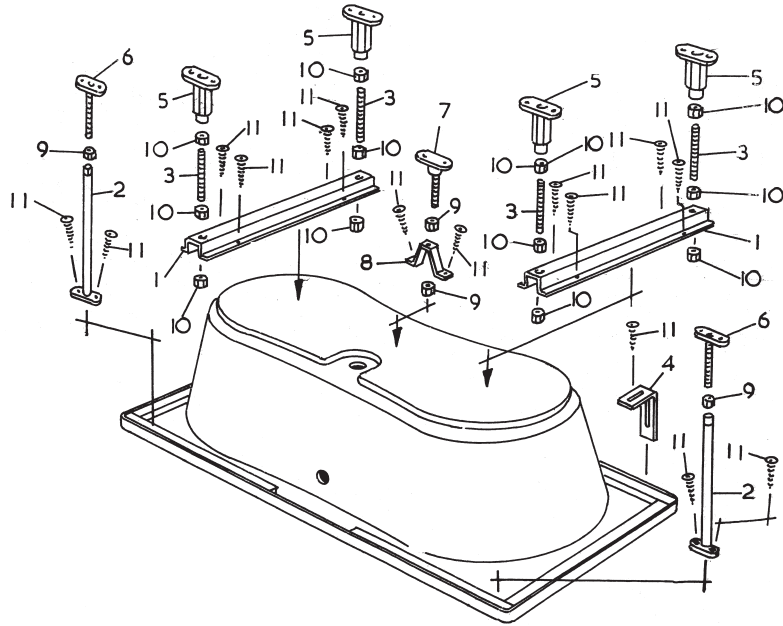
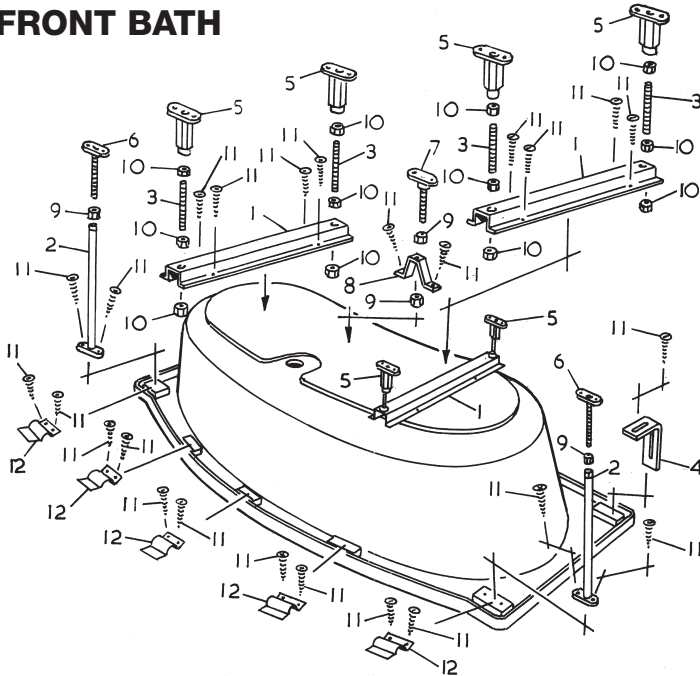


DOUBLE ENDED BATH



BOWFRONT BATH



QUALITY ACRYLIC BATHS MANUFACTURED IN ENGLAND

BATH FIXING INSTRUCTIONS

for

LUXURY & SHAPED BATHS

PLEASE NOTE

- Before fixing any bath or panel - remove ALL protective covering and examine carefully. The polythene film must be removed in full and the bath checked for any visible damage.
- Check that colour match is acceptable to sanitaryware and panel.

Any refixing costs or claims for wrong colour match, and/or any other faults will not be accepted - **AFTER FIXING**

**ATTENTION!
REMOVE FILM PRIOR TO FITTING**

- Please note prior to fitting your Bath carefully remove all the packaging and film from the bath and examine the bath for damage and suitability of colour match

- Check the panel fit and match prior to installation

No Claims for the above will be accepted once the bath is fitted

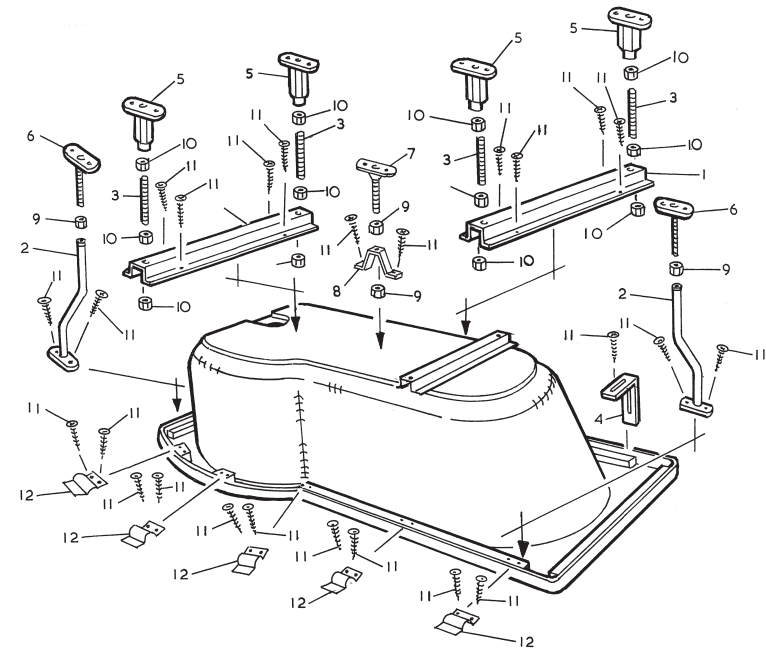
List of Parts Supplied:

| Item No. | Quantity | Description | Checked |
|----------|----------|---------------------------|---------|
| 1 | 2 | 500mm Channels | |
| 2 | 2 | 350mm Jack Legs | |
| 3 | 4 | 120mm allthreads | |
| 4 | 2 | Wall Fixing Brackets | |
| 5 | 4 | M12 x 65mm Plastic Foot | |
| 6 | 2 | M10 x 200 Metal Feet | |
| 7 | 1 | M10 x 90mm Centre Foot | |
| 8 | 1 | Centre Foot Bracket | |
| 9 | 4 | M10 Nuts | |
| 10 | 12 | M12 Nuts | |
| 11 | 36 | 16mm Self Tapping Screws | |
| 12 | 8 | White Plastic Panel Clips | |
| 13 | 1 | Fitting Instructions | YES |

Please Note:

- Baths should be set at supplied panel height.
- The 18mm baseboard is encapsulated on all baths listed above (i.e. under the GRP reinforcement).
- Half of the panel clips supplied should be secured (if possible) to the floor.
- Panel Clips are not required on double ended baths.

CURVED SHOWER BATH



L SHAPED SHOWER BATH

