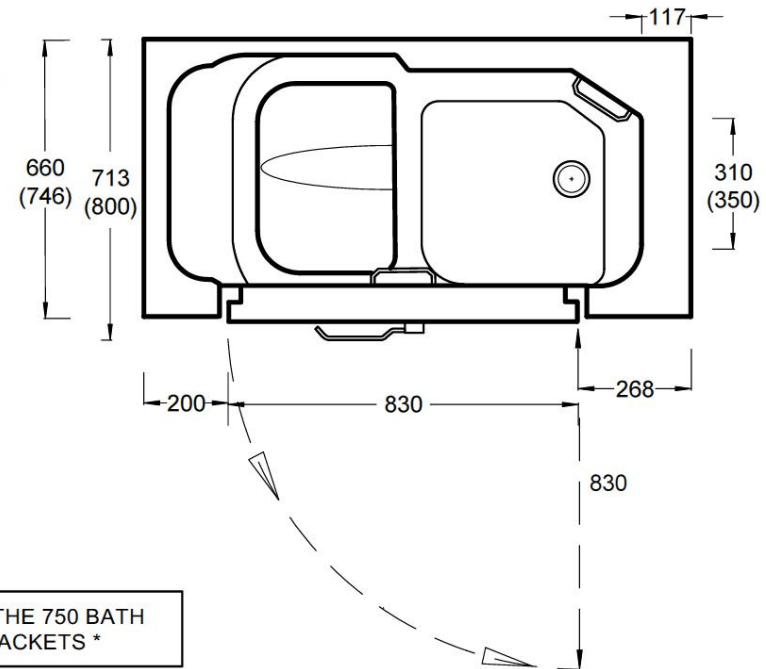
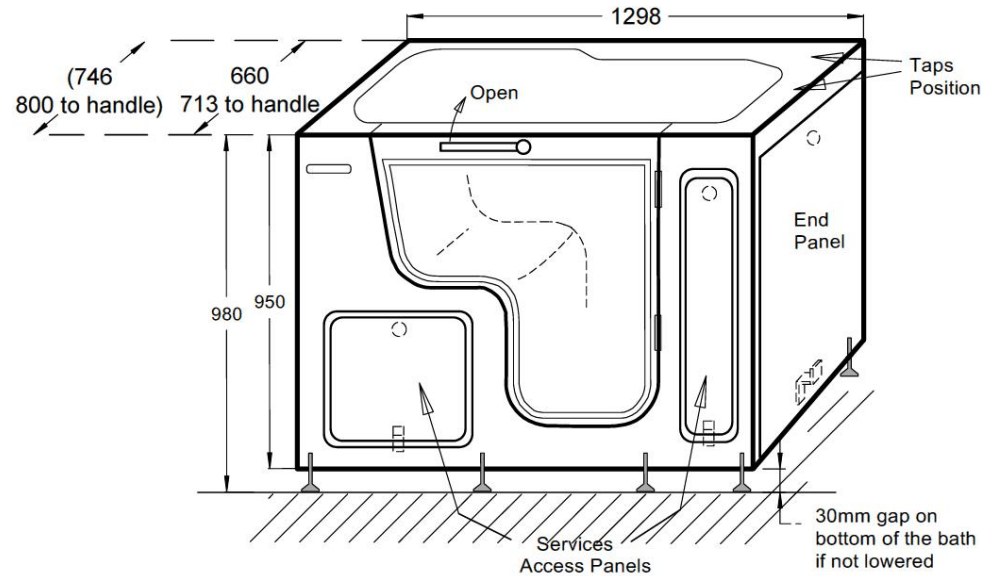


Serenity 660 & 750 Installation Guide.

The Serenity supplied pre-assembled with LH or RH Door Hinging. Fitted 1 x End Panel, 2 x Hand Grips and 1 x Pop-Up Waste/Overflow with a 2" Horizontal Drain.

Supplied Loose: Pop-Up Plug with Safety Chain. A Reducer Connector & In-Line Waste Trap for the Horizontal 2" Drain. See drawing below.



* DIMENSIONS FOR THE 750 BATH
ARE SHOWN IN BRACKETS *

IMPORTANT NOTES

The Serenity is supplied partly assembled. It has no front panel as its front face is moulded into the bath. 2 x access panels are fitted on either side of the door for access to the services. An end panel, a pop-up waste with a 2" horizontal drain and 2 x handgrips are also supplied fitted.

The bath is supplied levelled up on 8 x adjustable feet. The feet have been raised up to increase the height of the bath from 950 to 980. This leaves a gap of nominally 30mm at the bottom of the bath, which may require an edging strip to cover. Height of the bath will need to be readjusted to suit the site conditions. For easier access the bath door can be removed by unscrewing the 6 screws to the hinges on the bath using a 5mm Allen key and 2 men to hold.

Installation is similar as for a standard bath except that the 2" diameter waste has horizontal drain to increase drainage rate. Consequently an In-Line-Waste-Trap will be required. The floor should be sound enough to take the weight (65 kilos for the 660 & 74 kilos for the 750 bath - unfilled) of the bath without causing any movement or sagging.

It has water capacity of 285 litres (unoccupied) which may require pump assisted taps with a flow rate of 17 litres/min minimum. Use only 22mm pipe leads to enhance flow rate. Bath is filled only when user has entered and shut door, consequently taps must be thermostatically controlled.

Standard Fitting Guide. See Drawings

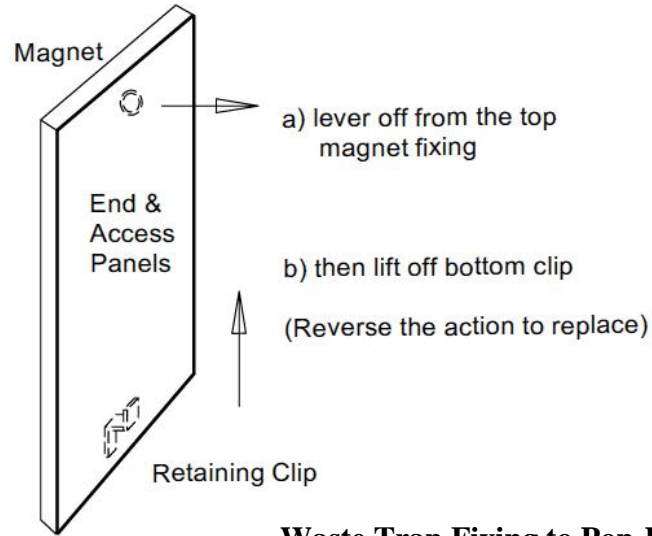
- 1) **Remove the 2 x Access Panels on the front of the bath and the End Panel.**
- 2) **If bath is to pass through an opening wider than 660mm then carefully remove the door off its hinges on the bath side and refit once positioned.**
- 3) **Drill and affix Taps to the bath. Secure the 2" connector to the horizontal drain outlet on waste.**
- 4) **Fit a shallow In-Line-Waste-Trap to the 2" connector.**
- 5) **Place bath in position and lower the bath height such that the bottom of the front edge of the bath is almost touching the floor.**

Important: If installing on wooden floor, consideration must be given to re-enforcing the floor and possibly fixing batten wood runs across to support the bath load. Concrete floors must be level so that the bath feet sit flat.

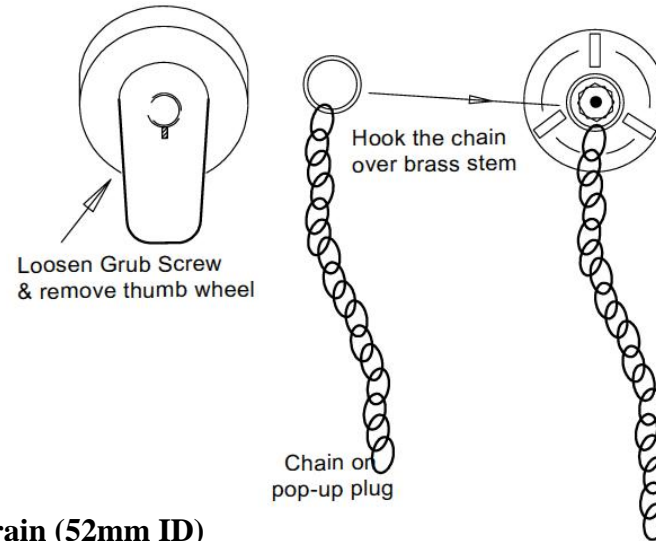
- 6) **Level bath in all planes using the 4 adjustable feet on the 4 outer corners only and lock the feet. Screw out the 4 centre support legs firmly to the floor.**
- 7) **Mark fixings and plumbing runs.**
- 8) **Remove bath and run all plumbing into position. Note: flexible waste and tap pipes will ease the installation.**
- 9) **Re-position bath and screw to the floor using all 8 bath feet. Note: the wide feet have no screw holes and can easily be drilled through.**
- 10) **Connect plumbing. Refer to fitting guides for the Thermostatic valve and Pump if supplied.**
- 11) **Test plumbing for leaks and pump operation.**
- 12) **Locate the Pop-Up Waste plug and adjust the stem lock nut and position into the waste.
Test when the bath is filled and adjust again if necessary.
Attach the safety chain on the Pop-Up Waste Plug to the Overflow brass stem**
- 13) **Refit the access and side panels.**
- 14) **Silicone bath rims to walls as necessary and fit a suitable edging strip to bottom of the bath if required.**
- 15) **Finally drain bath and Leave the Door Open when in use to prevent over compression and the wear out of the seal.**
- 16) **Instruct customer on the use of the bath.**

- ◆ **Refer to 'Operating/Care and Maintenance Instructions' and leave copy with customer.**
- ◆ **Do not leave door in locked position on completion. Advise customer that the door should be left unlocked when not in use in order to preserve the seal.**

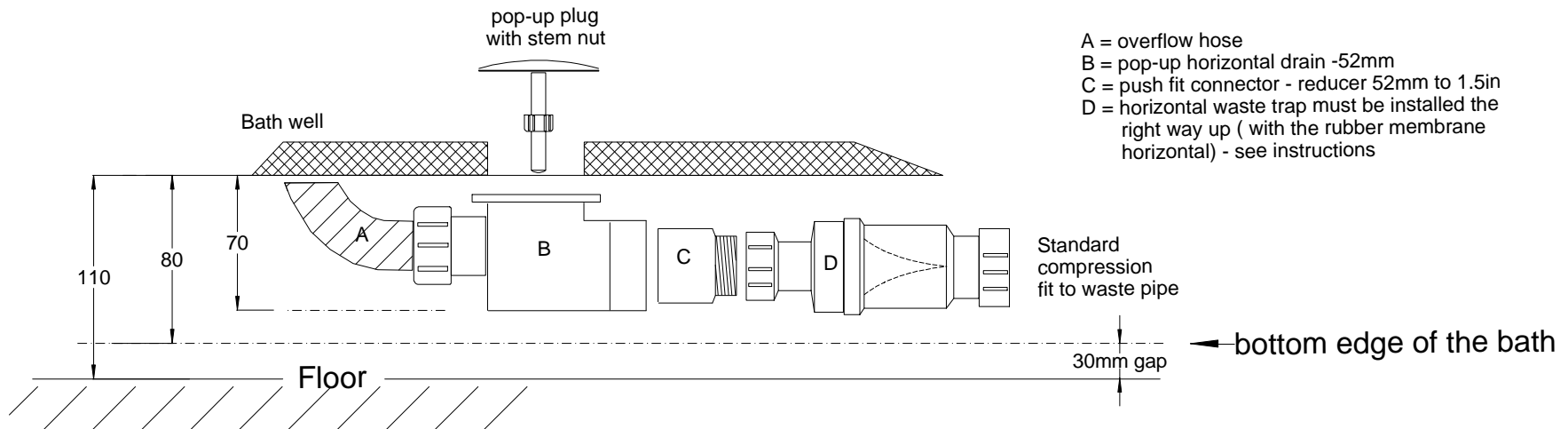
To remove Access and End Panels



Fixing Safety Chain to Pop-Up Overflow



Waste Trap Fixing to Pop-Up Horizontal Drain (52mm ID)



The bath is supplied with its feet adjusted making the height of the bath 980mm (from the floor) – giving a space of 110mm from the underside of the bath well to the floor. This in turn leaves a gap of 30mm from the lower edges of the bath to the floor.

The bath feet can be lowered to take up some of the gap, reducing the space under the bath well from 110 to just under 80mm.