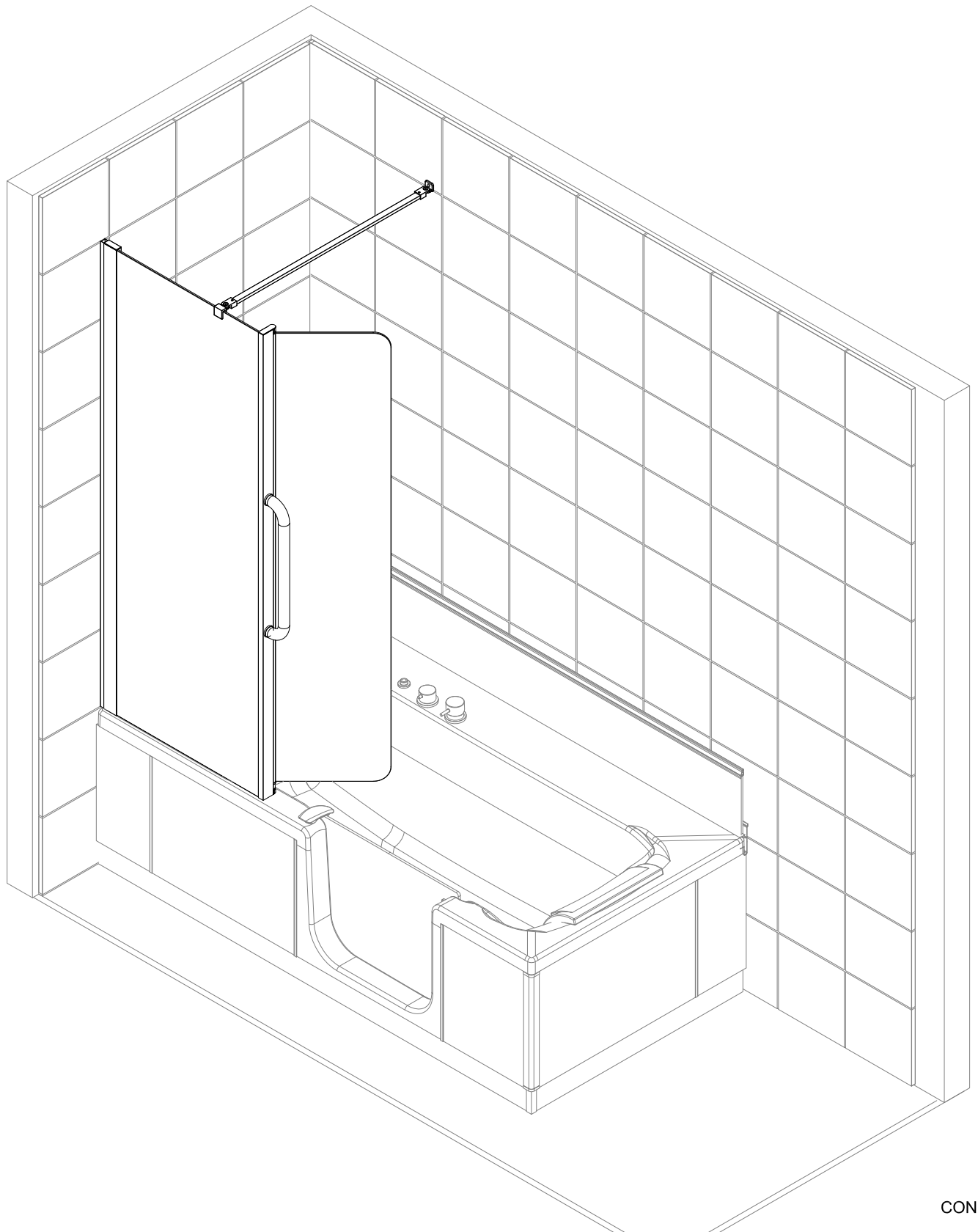
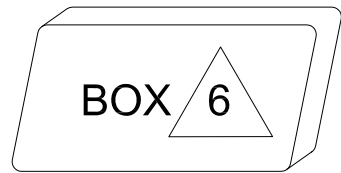
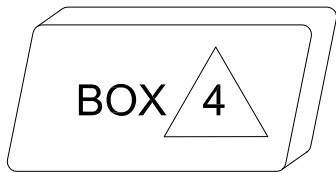
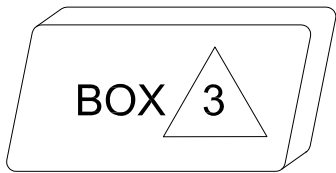
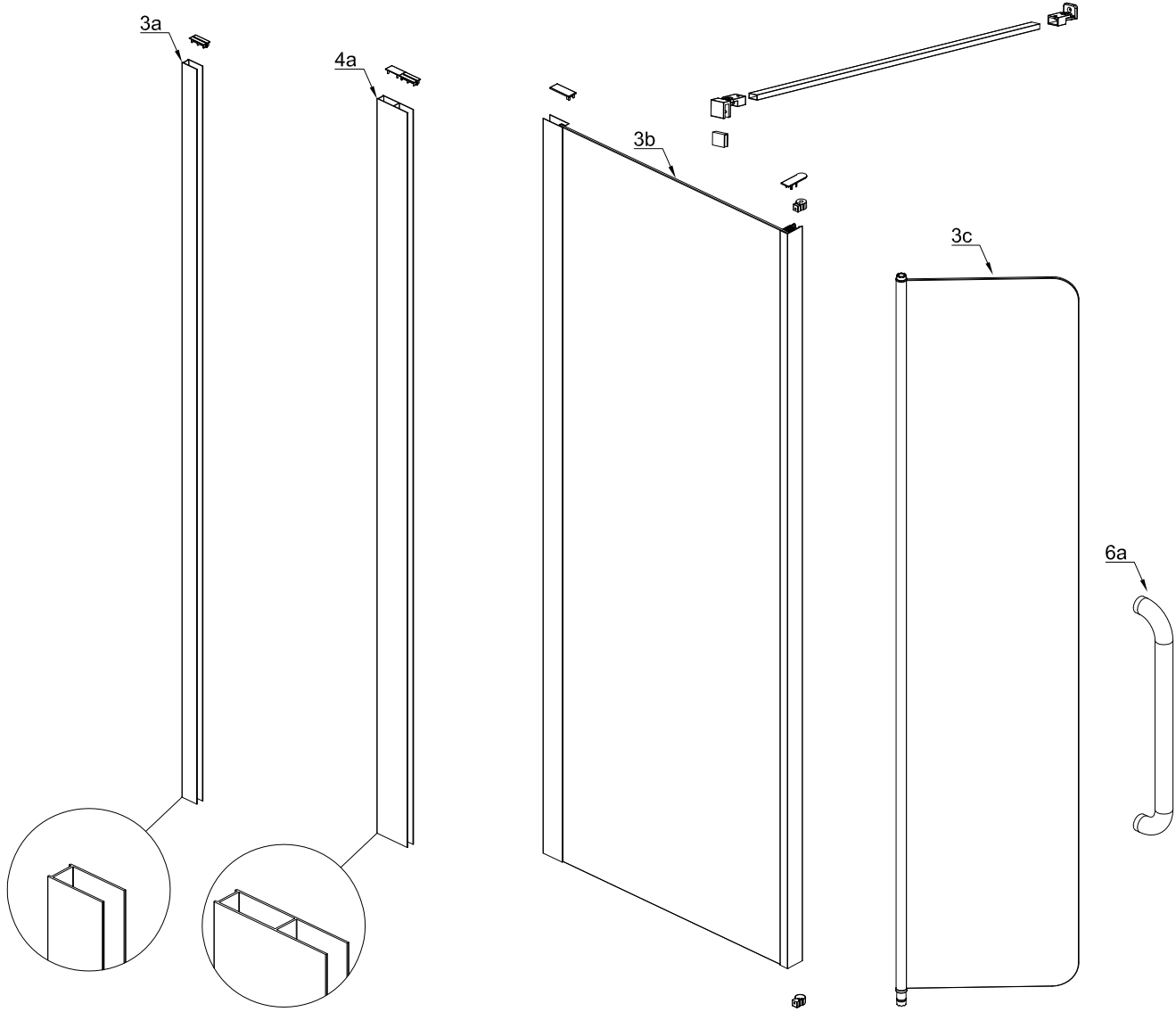


STYLE

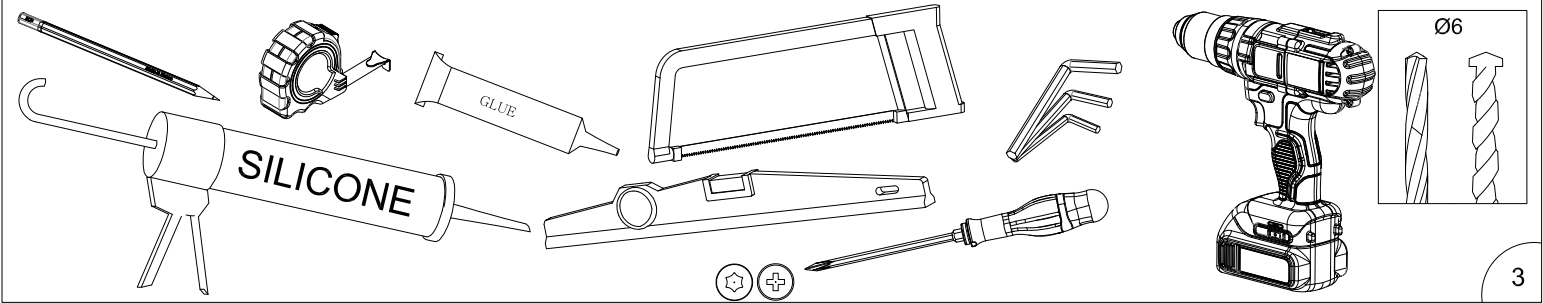
Bathe Easy

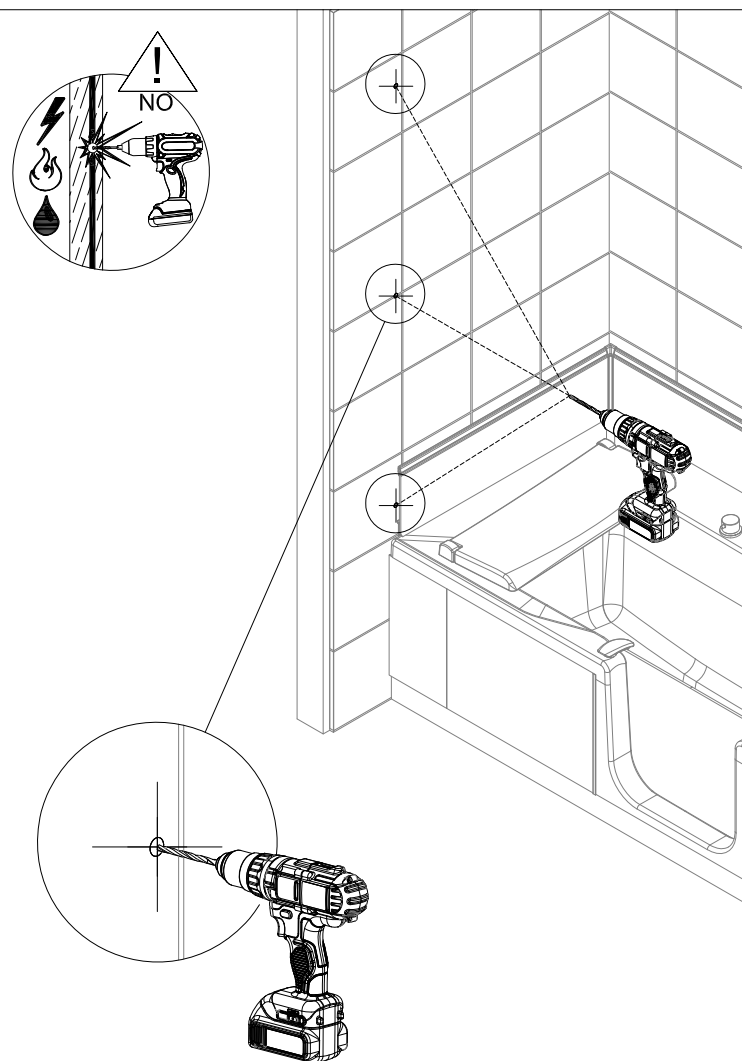
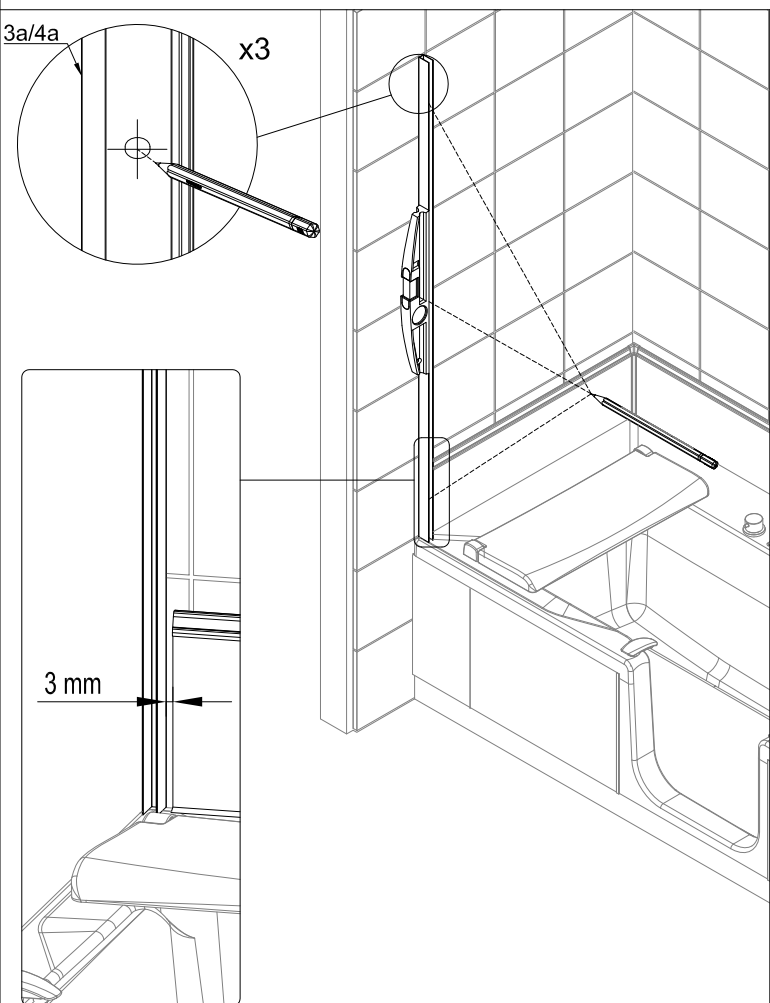
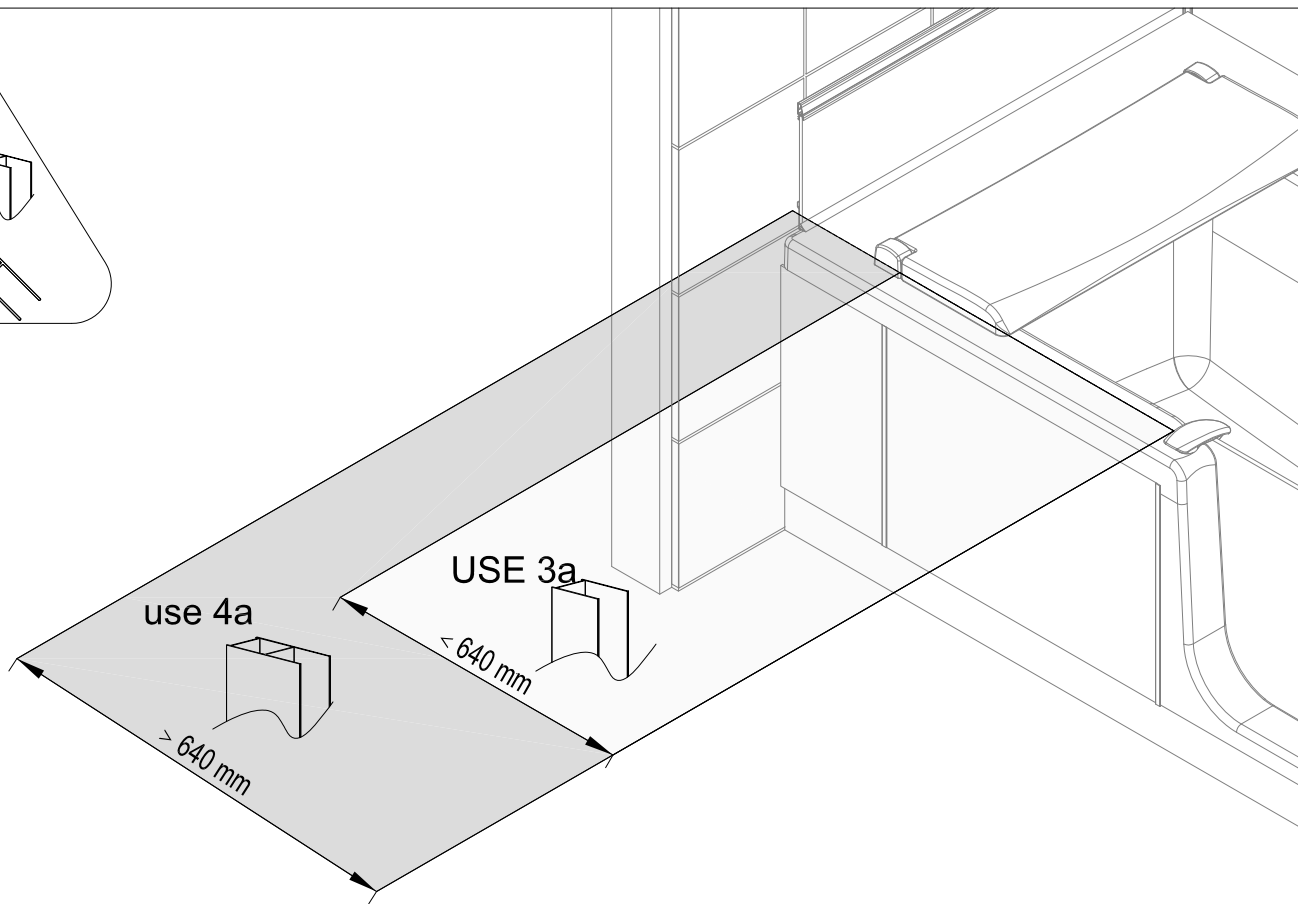
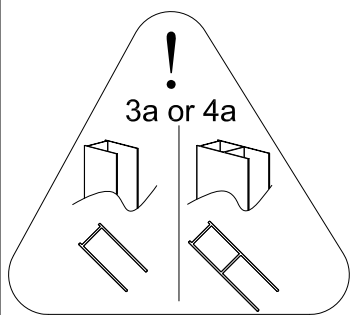
Installation instructions

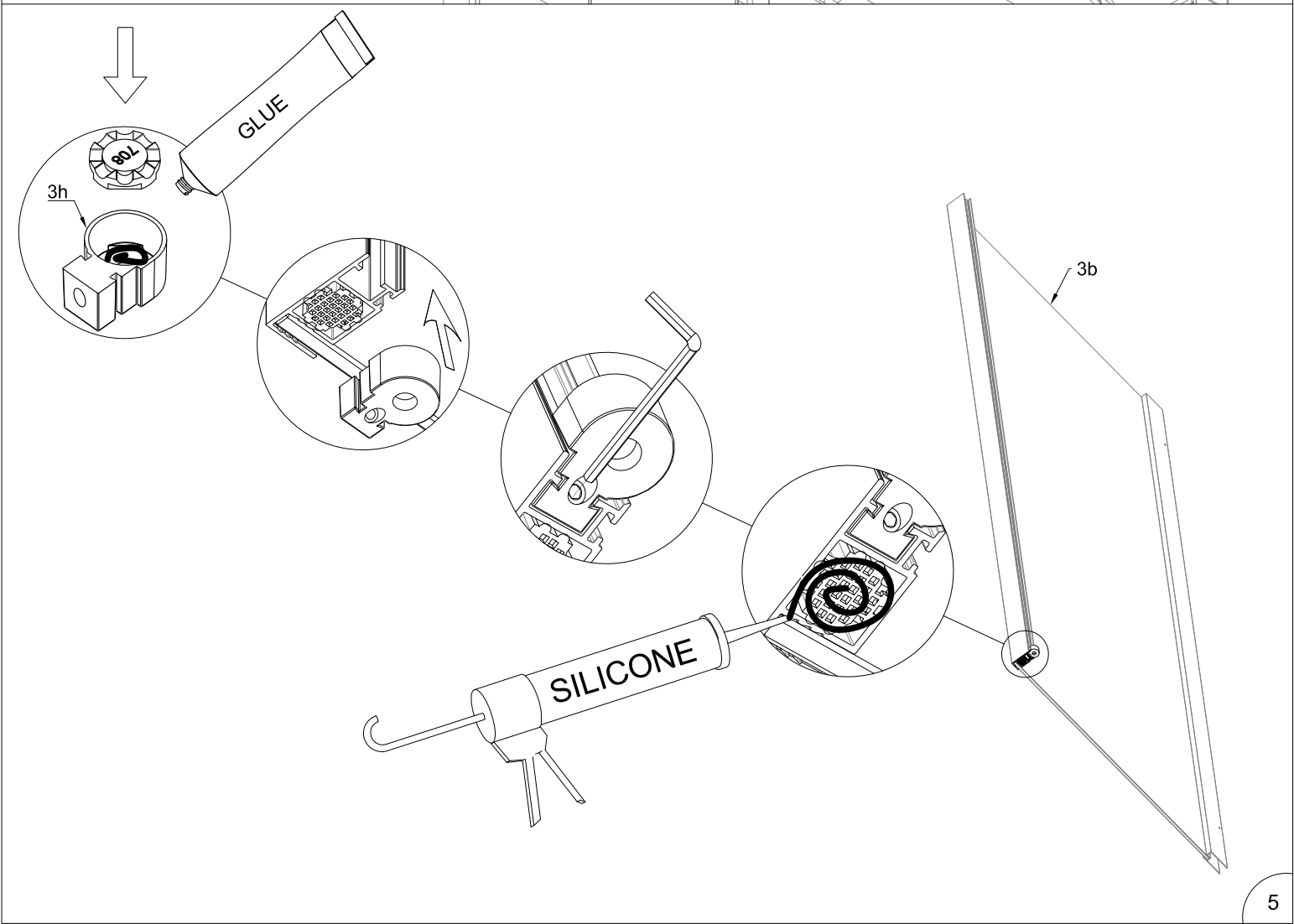
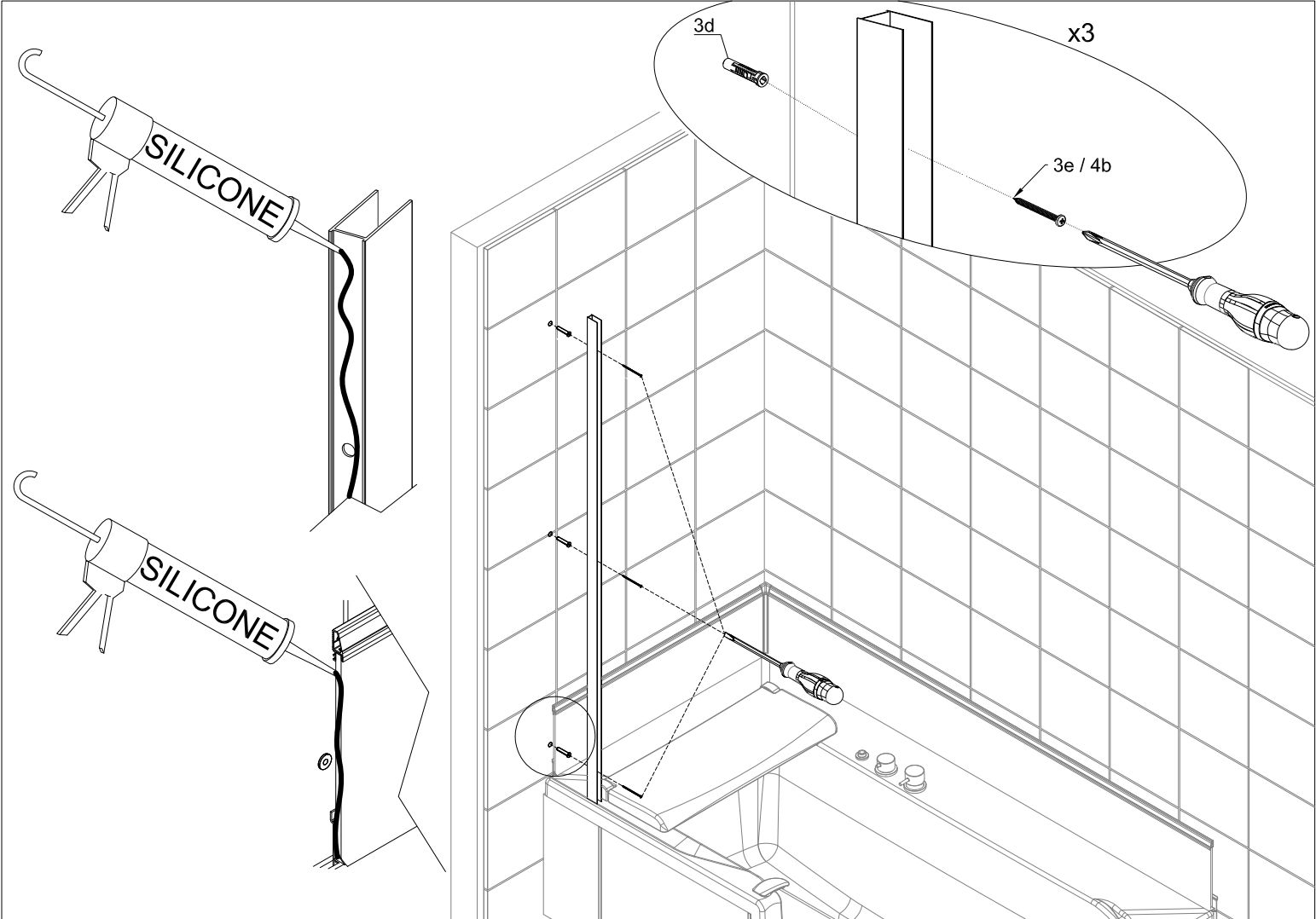


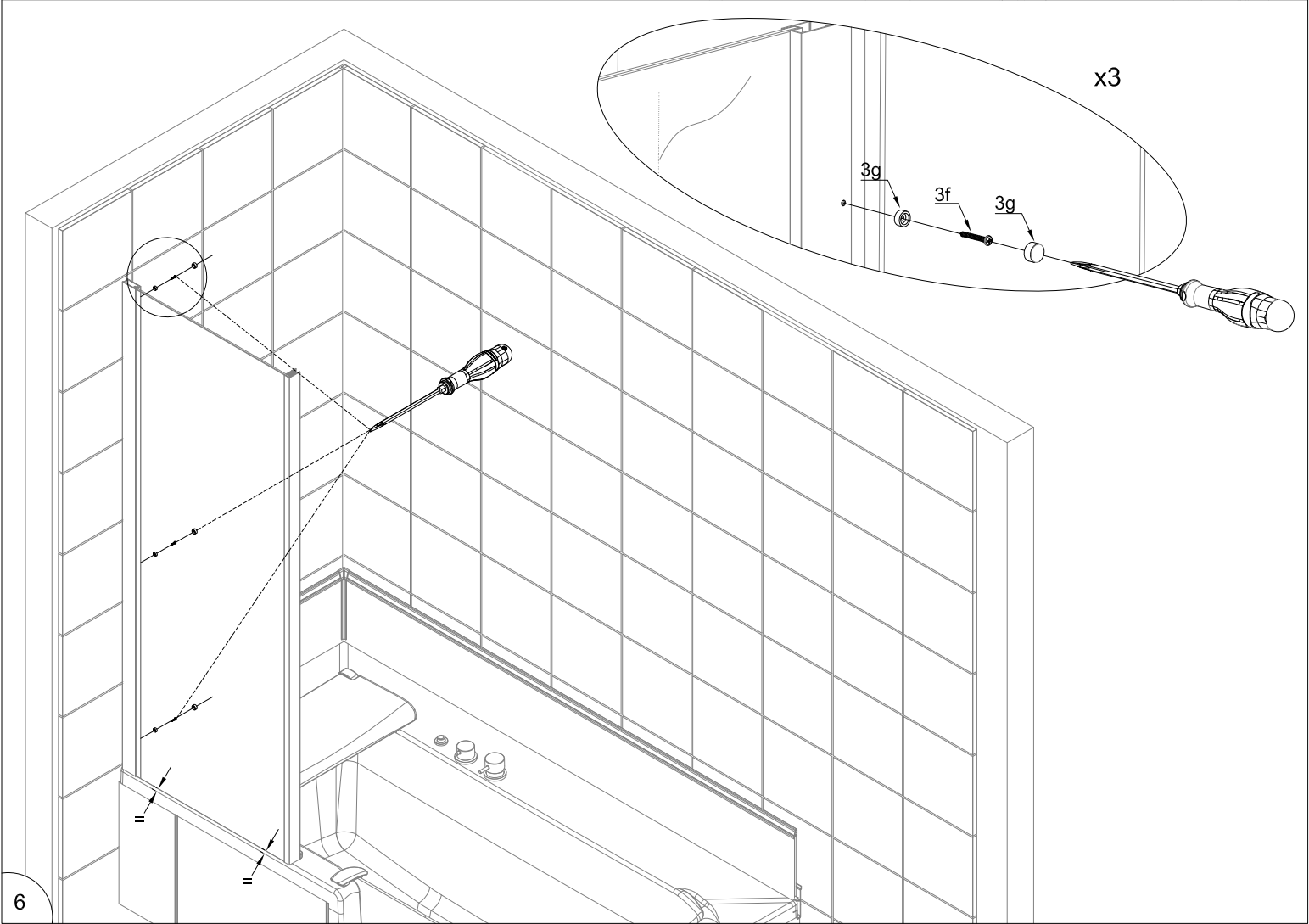
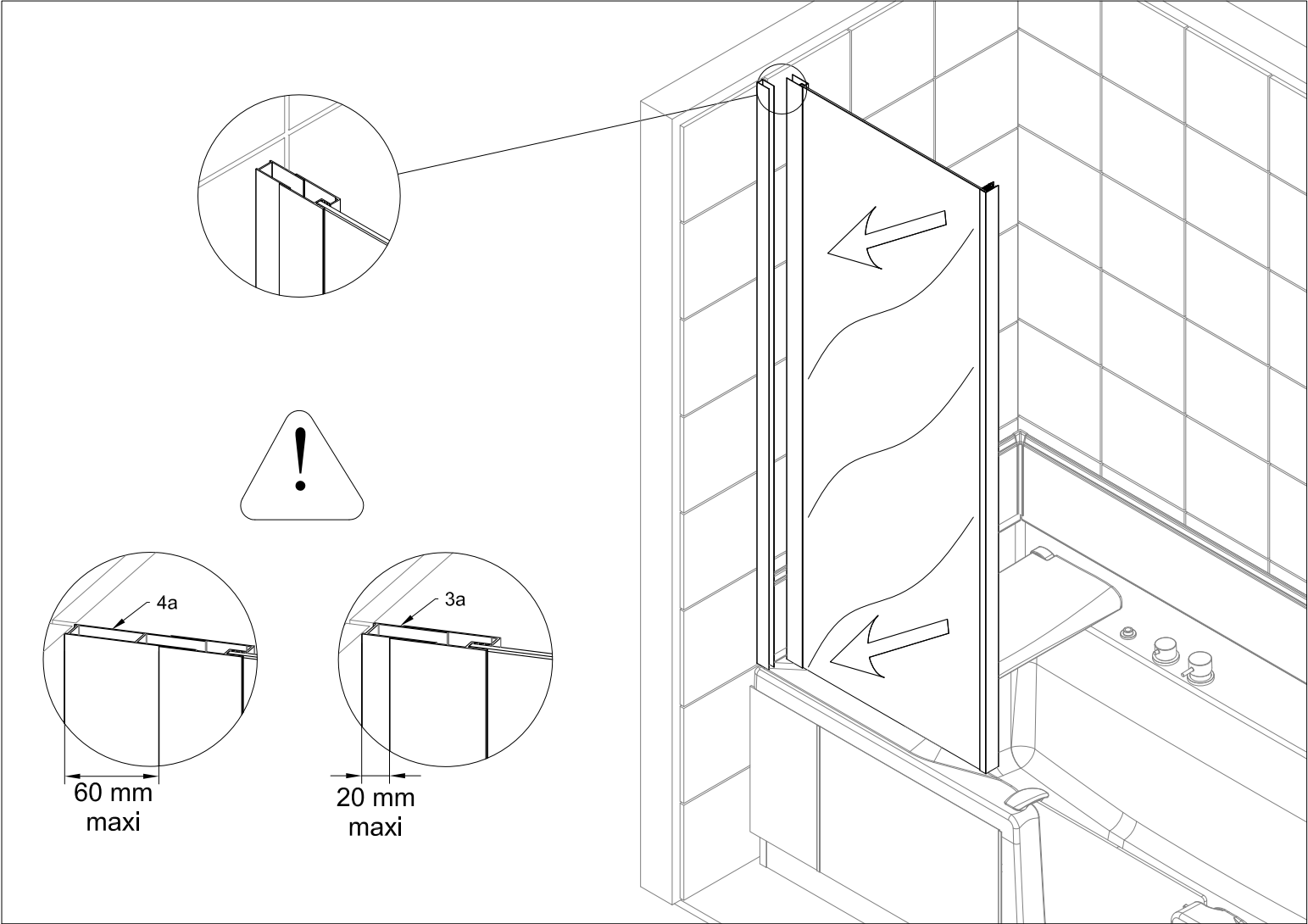


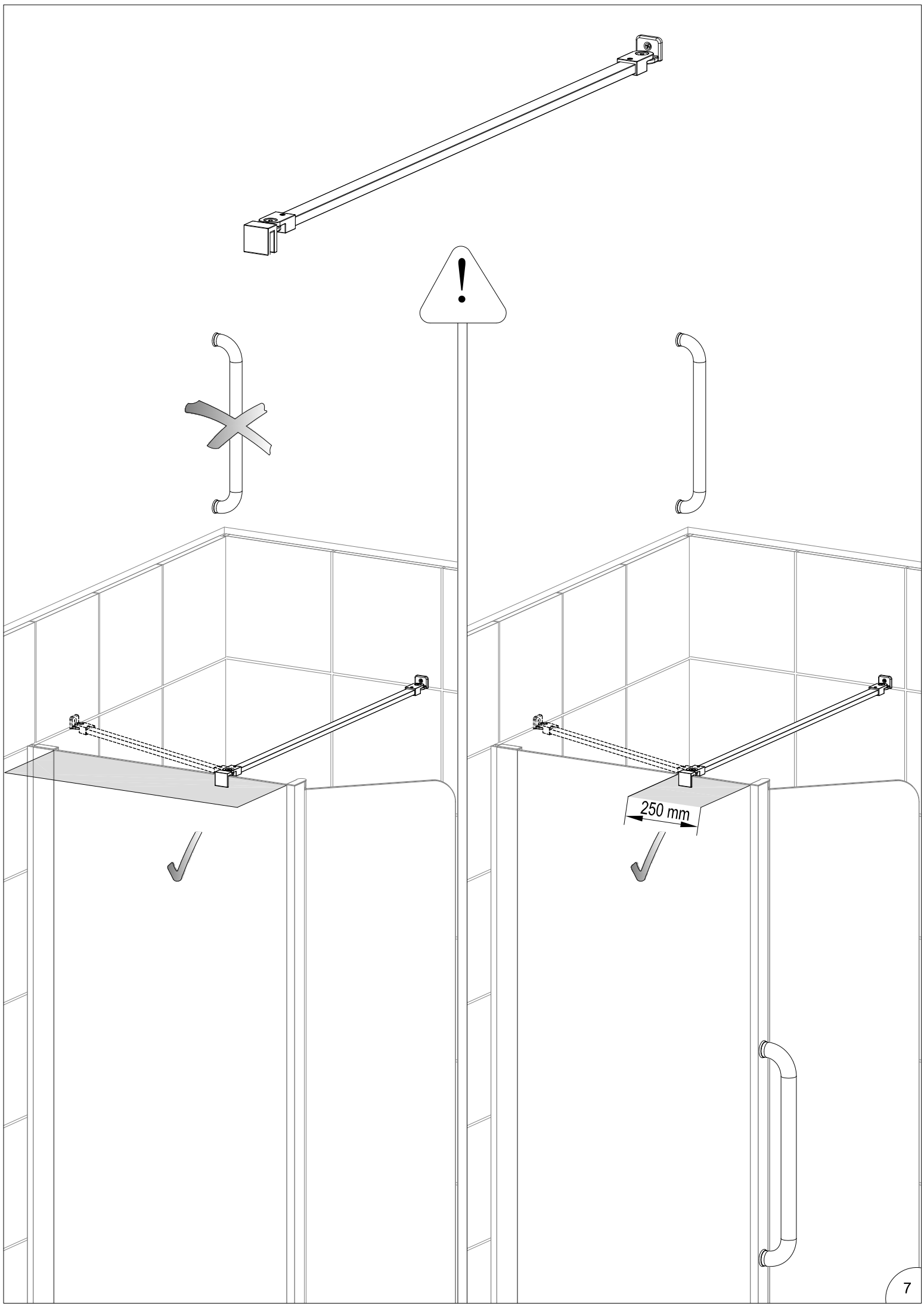
4b x3	4c	3d x3	3e x3	3f x3	3g x3
3h	3i	3j	3k	3l	
3m	3n	3o	3p	3q	
6b	6c x2	6d x2	6e x2		

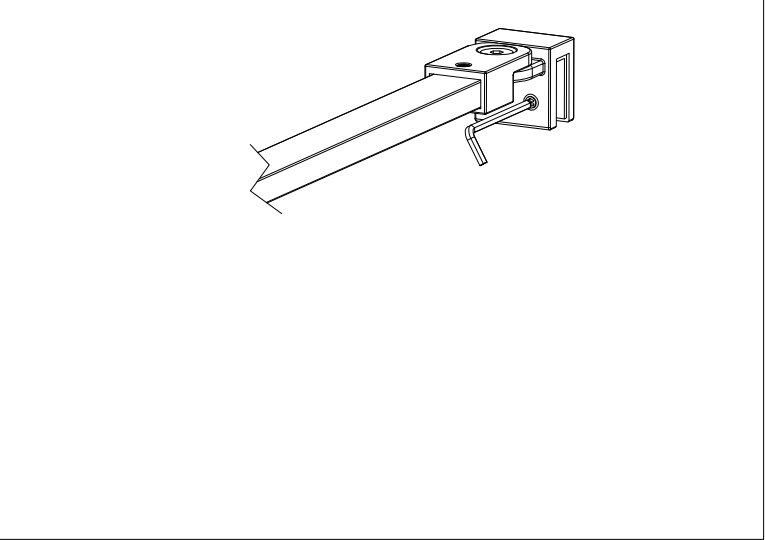
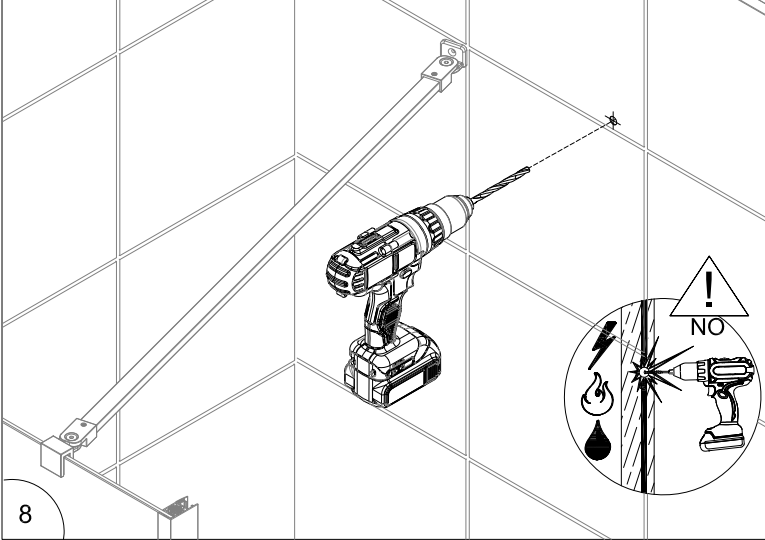
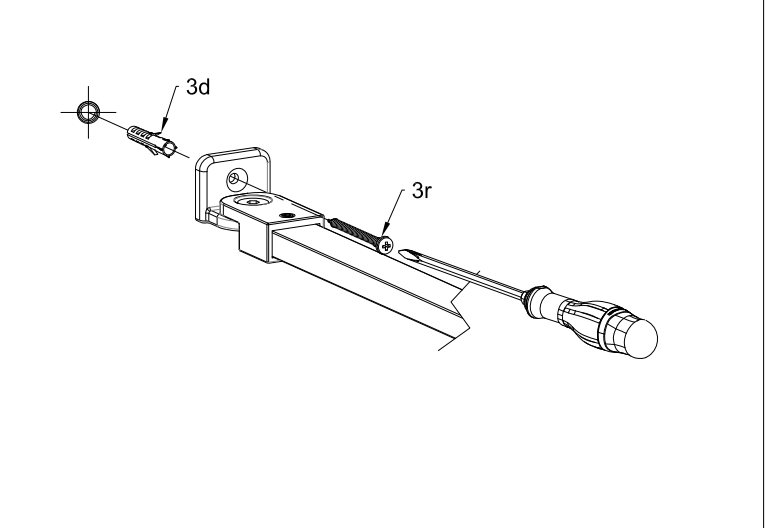
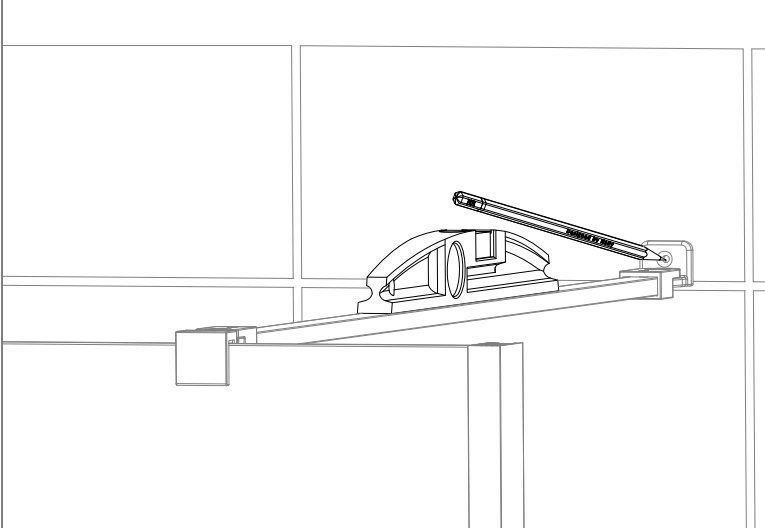
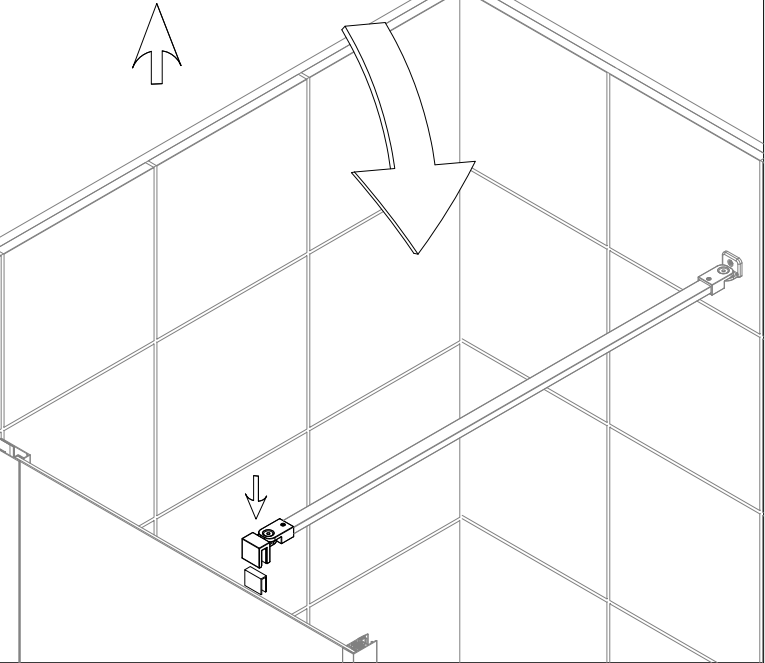
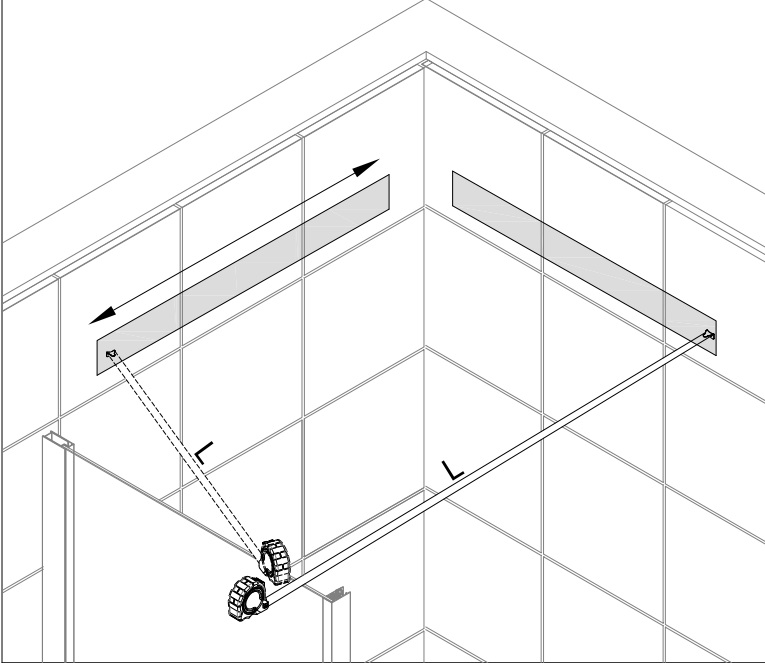
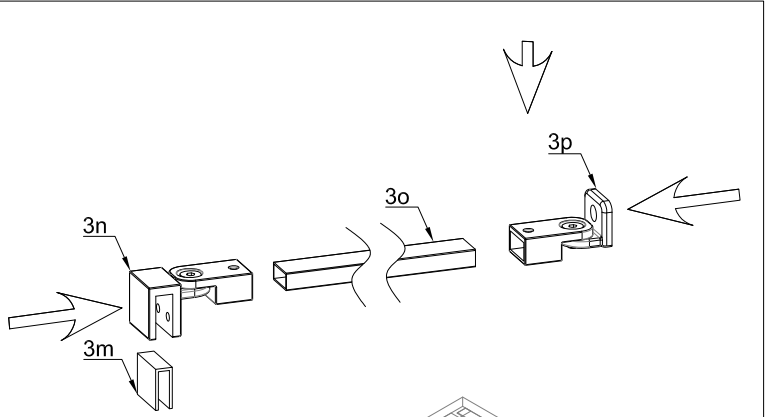
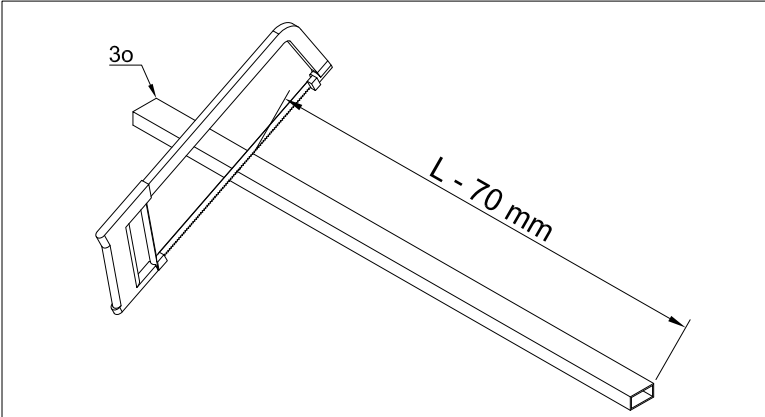


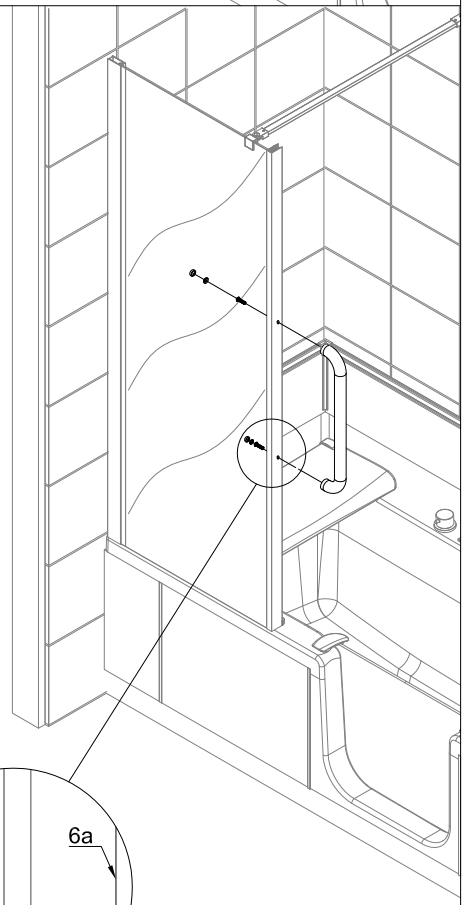
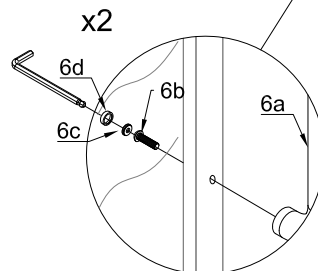
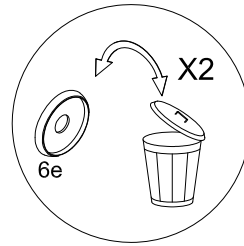
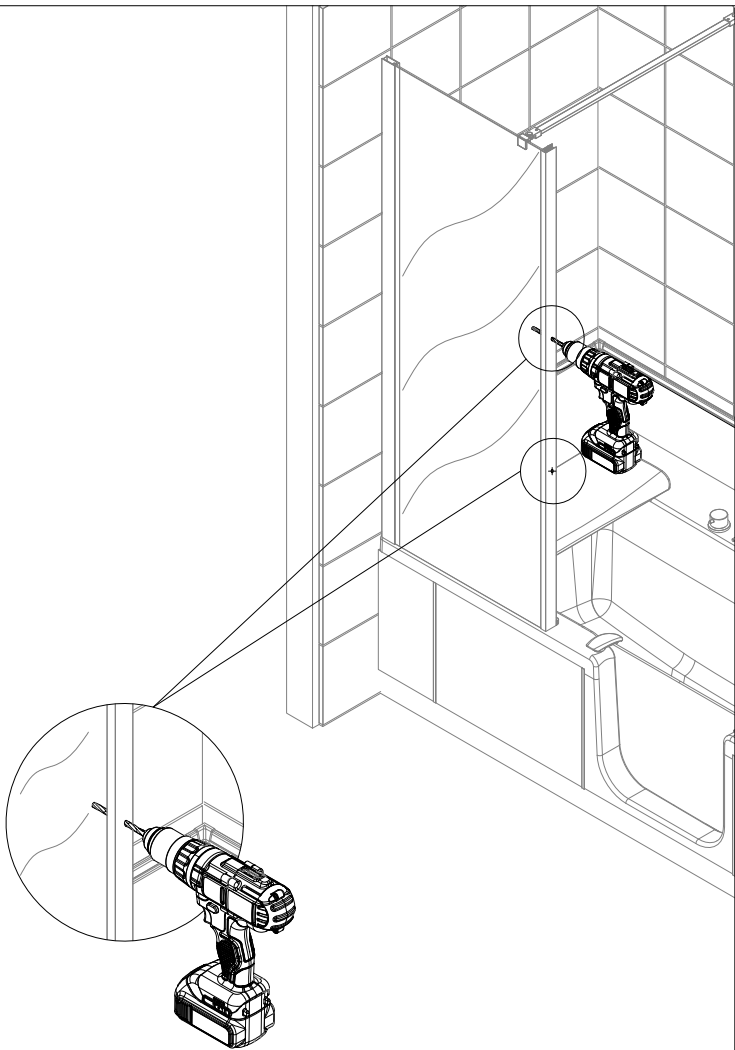
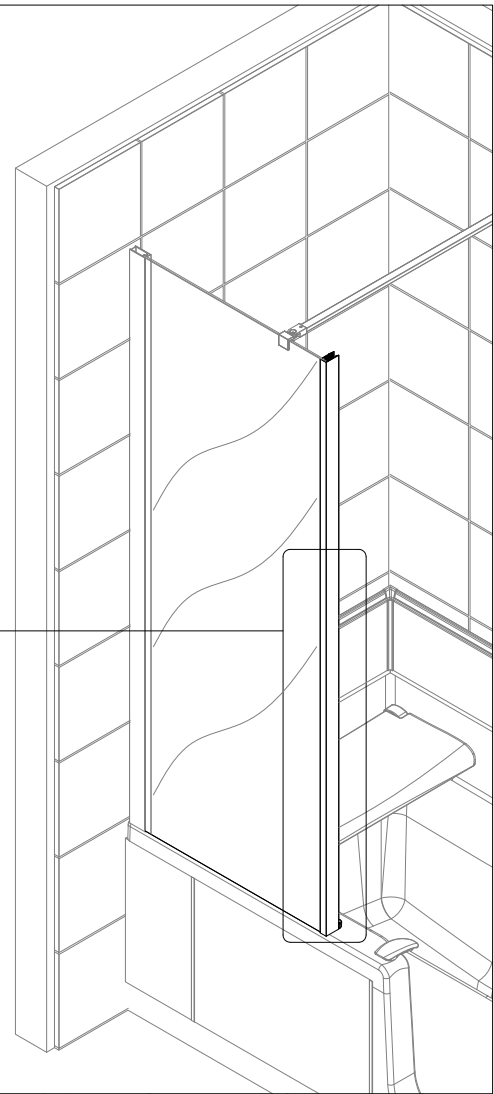
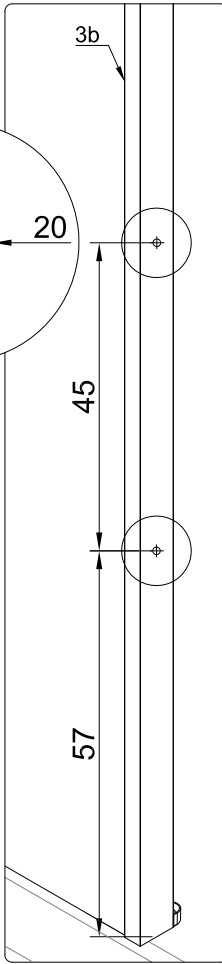
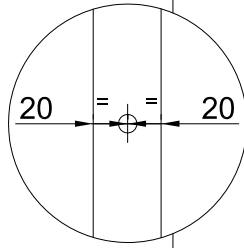


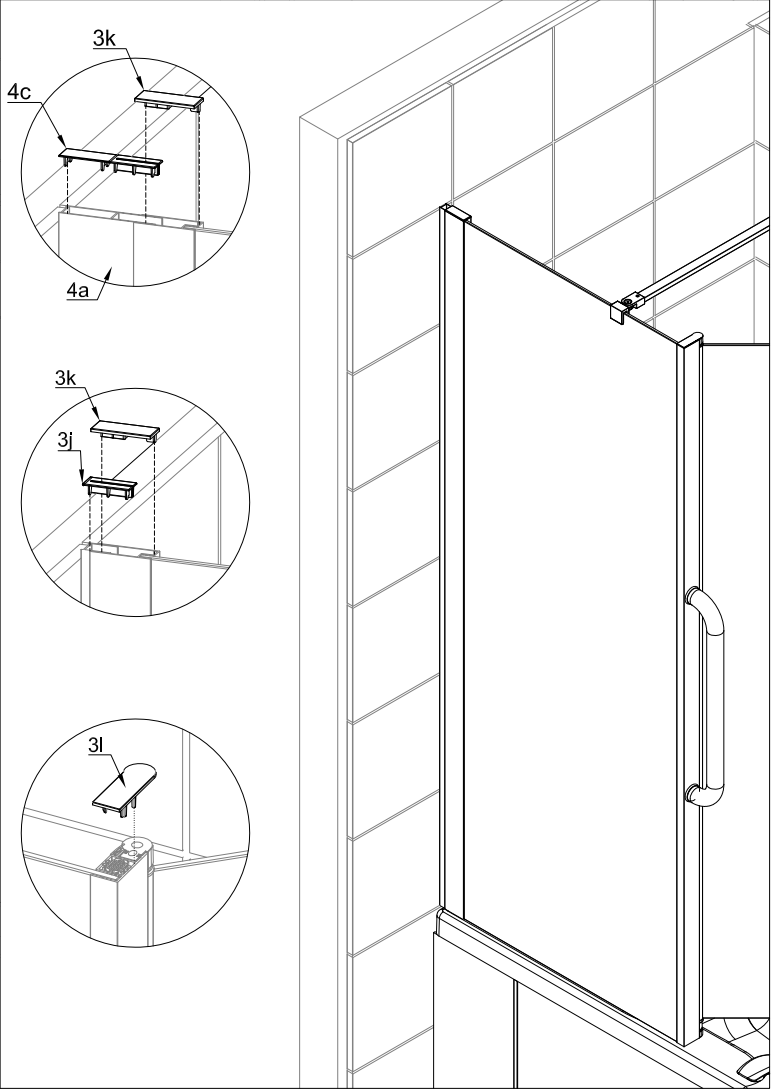
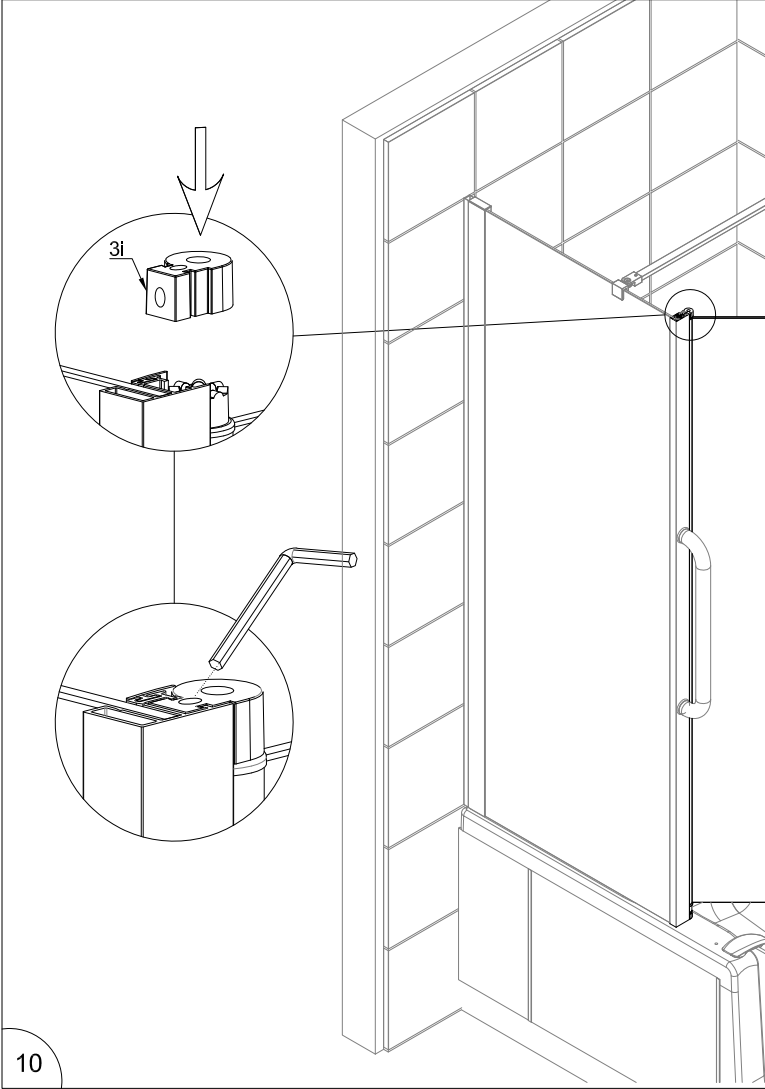
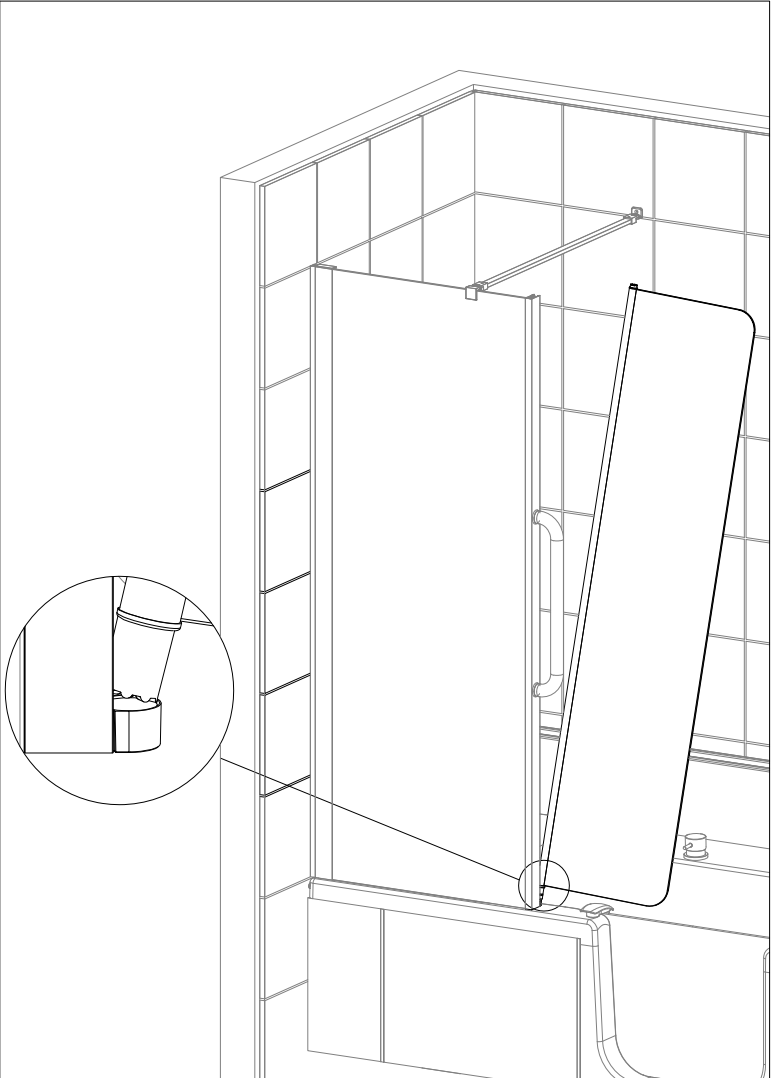
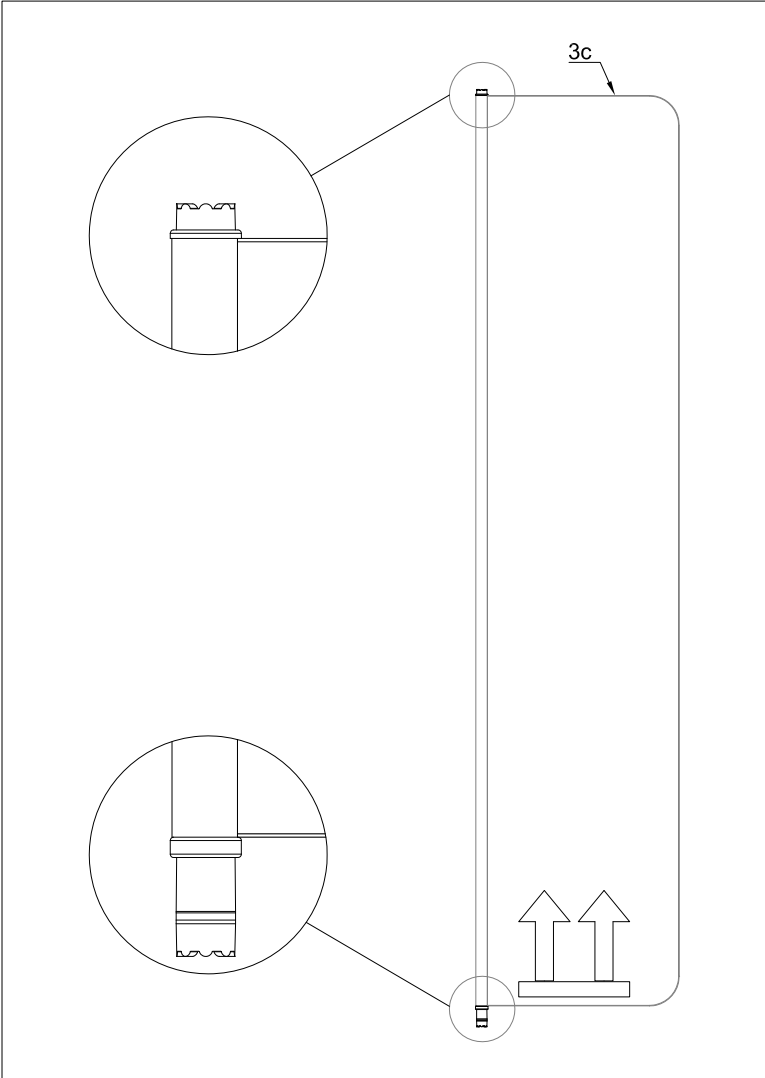


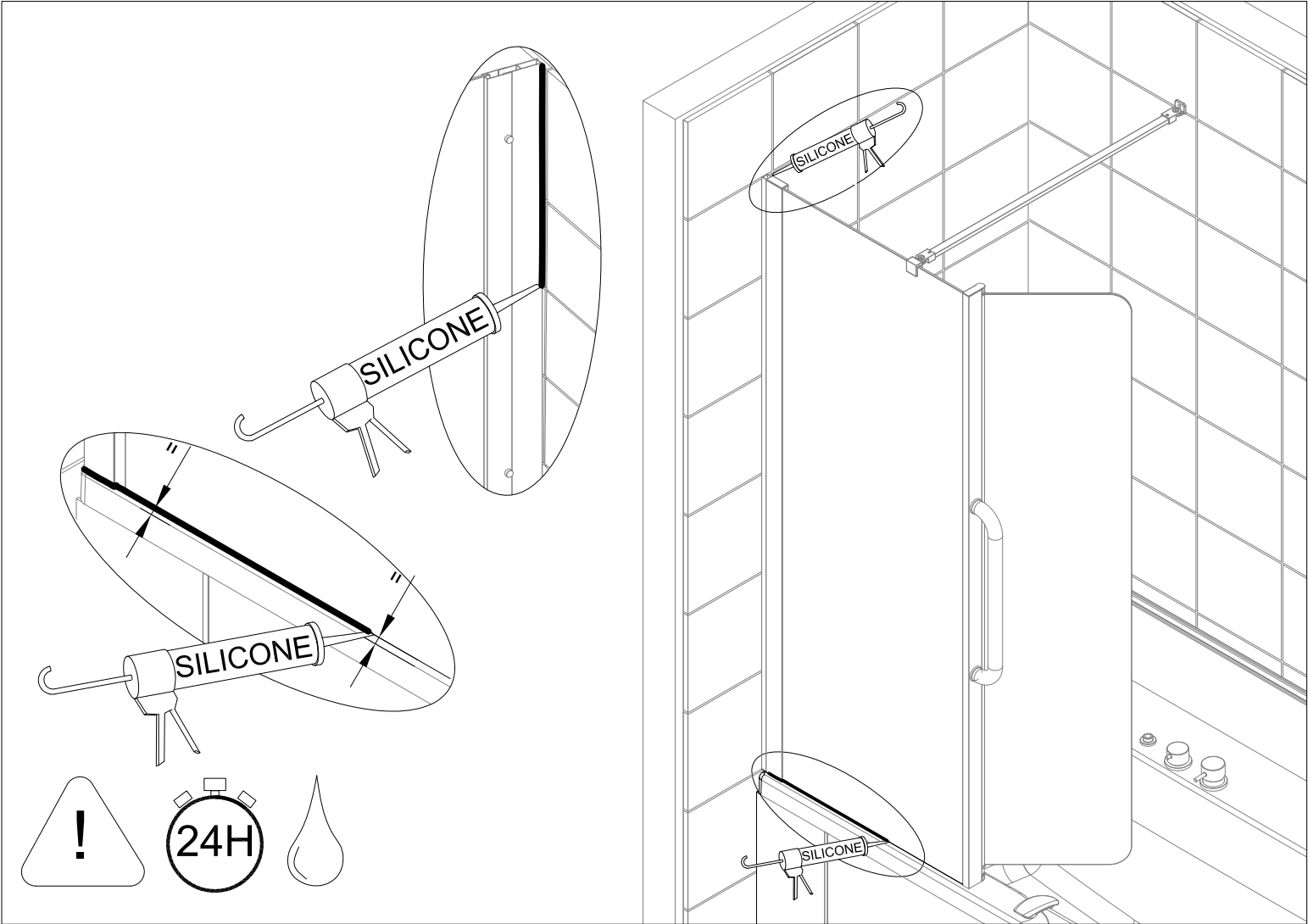












GUARANTEE

This product comes with a full 2 year guarantee (components and factory assembly) from the date of purchase.

This guarantee is expressly limited to the repair or replacement of components declared to be faulty and no indemnity can be claimed for any reason, including appliance break down, damages caused etc. Costs of moving, packaging, and outward and return transportation (transportation is always at the client's own risk), dismantling and reassembling or reinstalling the product are always the client's responsibility.

This guarantee does not cover the following damages or wear:

- Installation of the appliance not in accordance with the manufacturers instruction.
- Dismantling, repair or modification by the buyer or a third party other than manufacturer approved installers.
- Shock, shocks, natural disaster and storms.
- Usage that does not conform to guidelines or is ill-advised.

This guarantee enters into effect on the date written on the purchase receipt.

The receipt is necessary for any implementation of this guarantee, along with the guarantee slip and documents.

Bathe Easy

Ramsden Mills, Britannia Road
Huddersfield, West Yorkshire
HD3 4QG

Technical support customer helpline
Tel: 01484 485412
Fax : 01484 657098