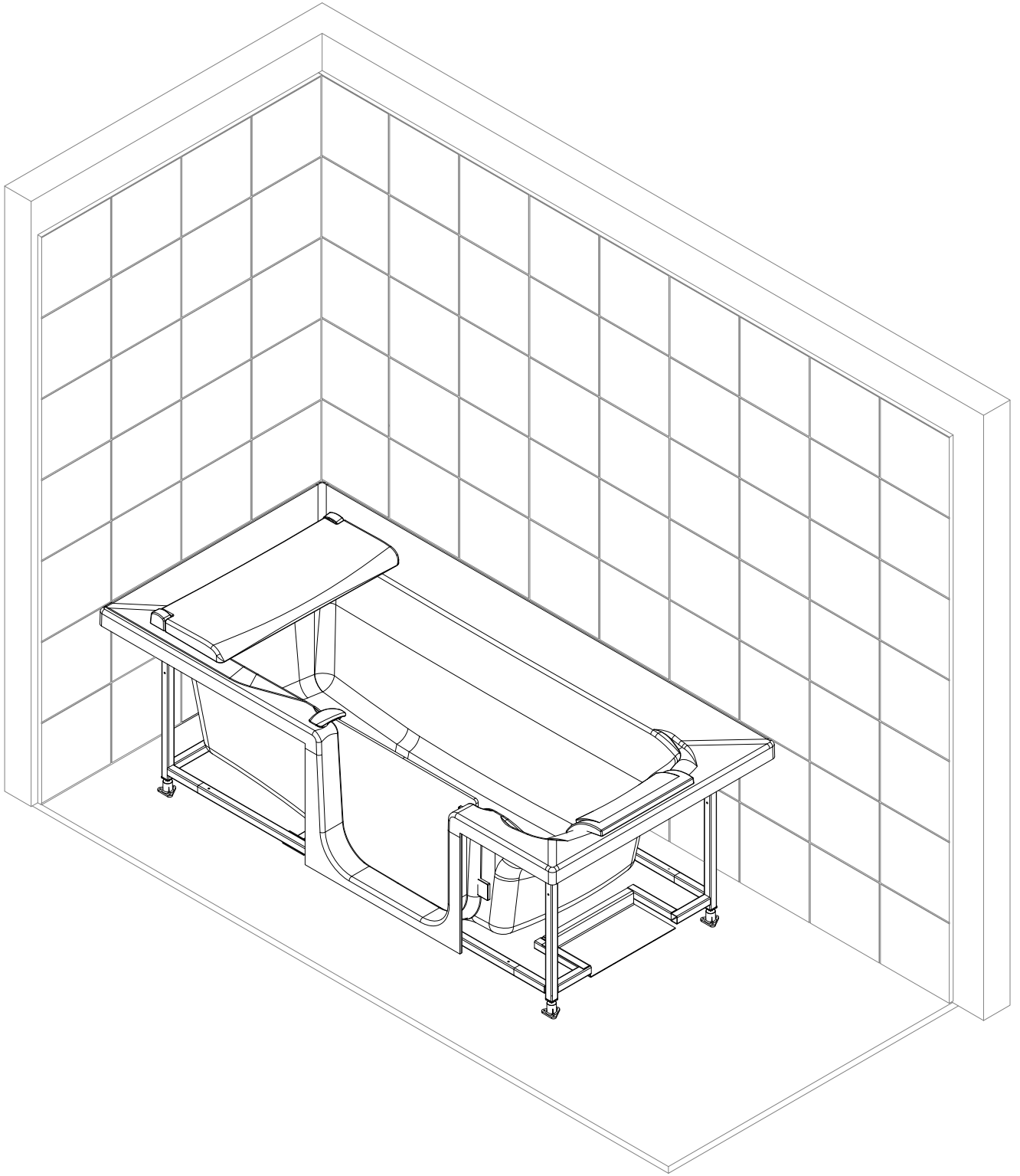
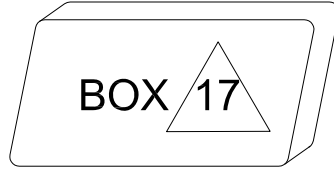
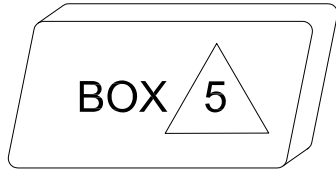
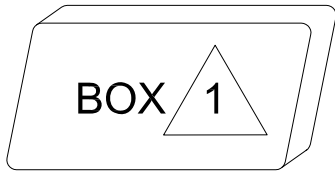


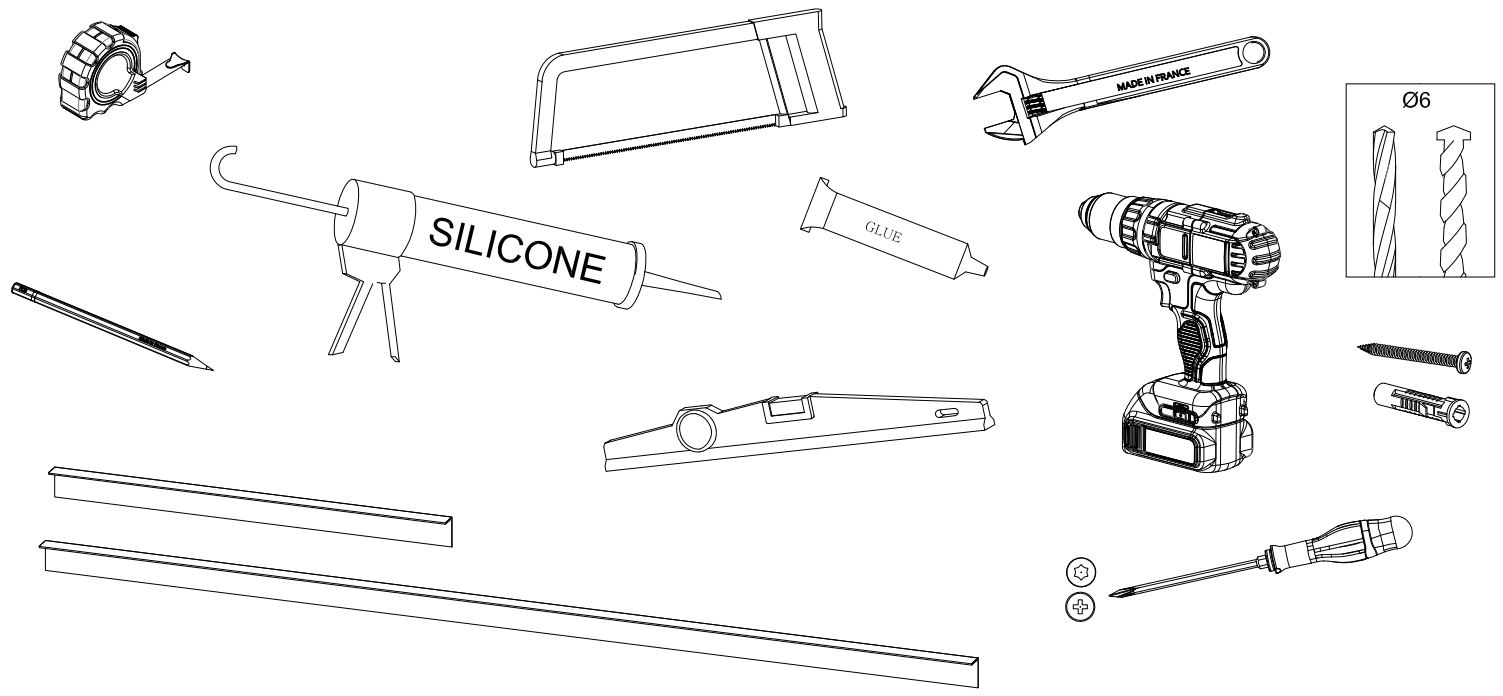
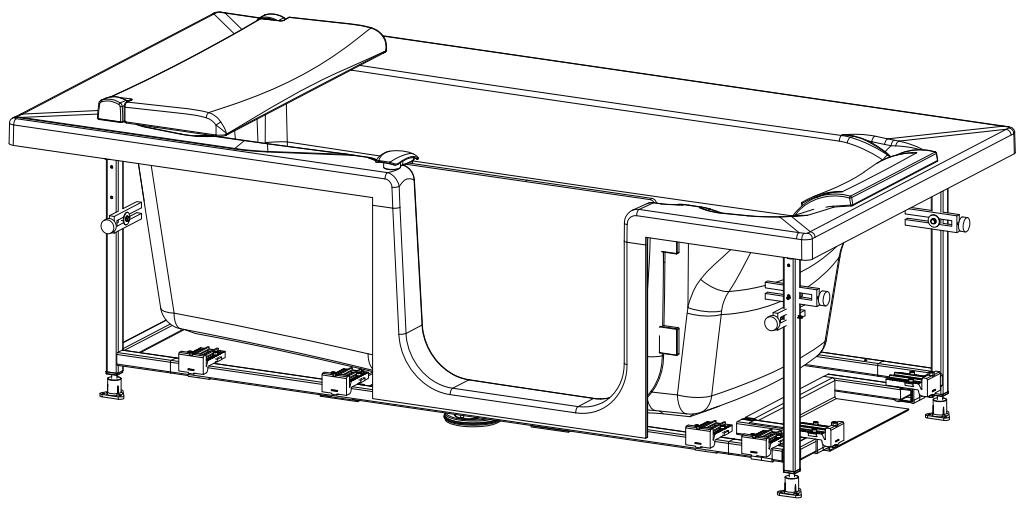
# STYLE

## Bathe Easy

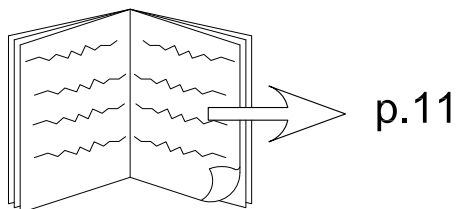
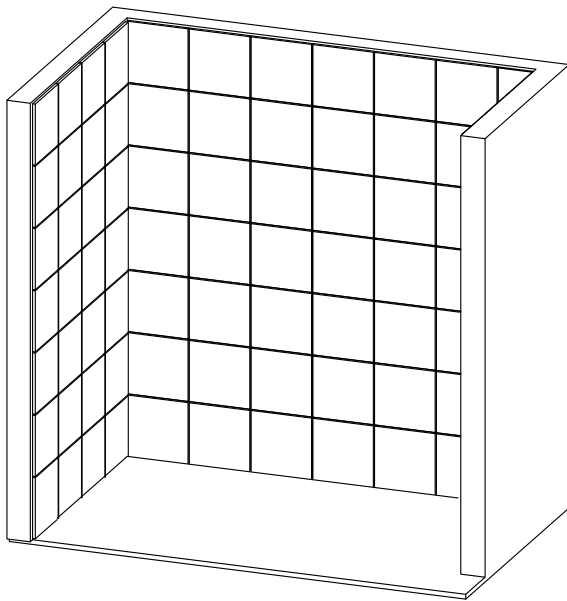
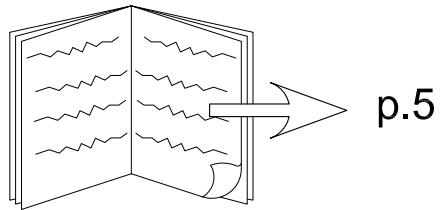
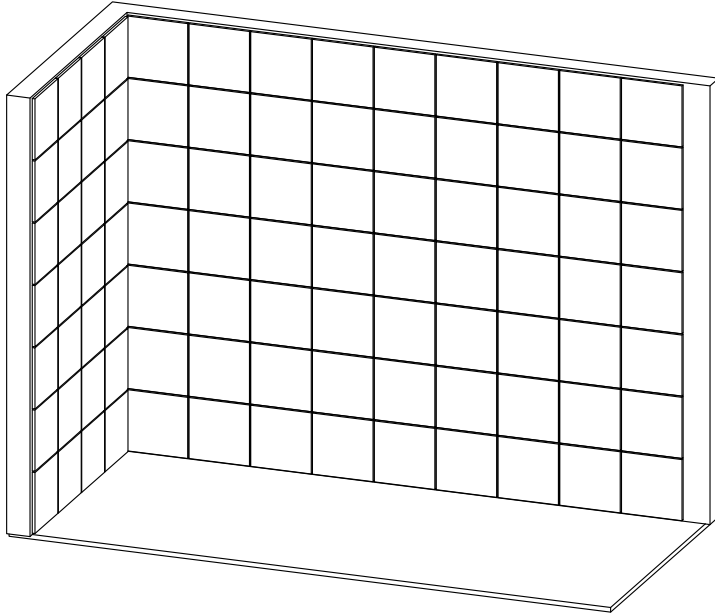
Installation instructions

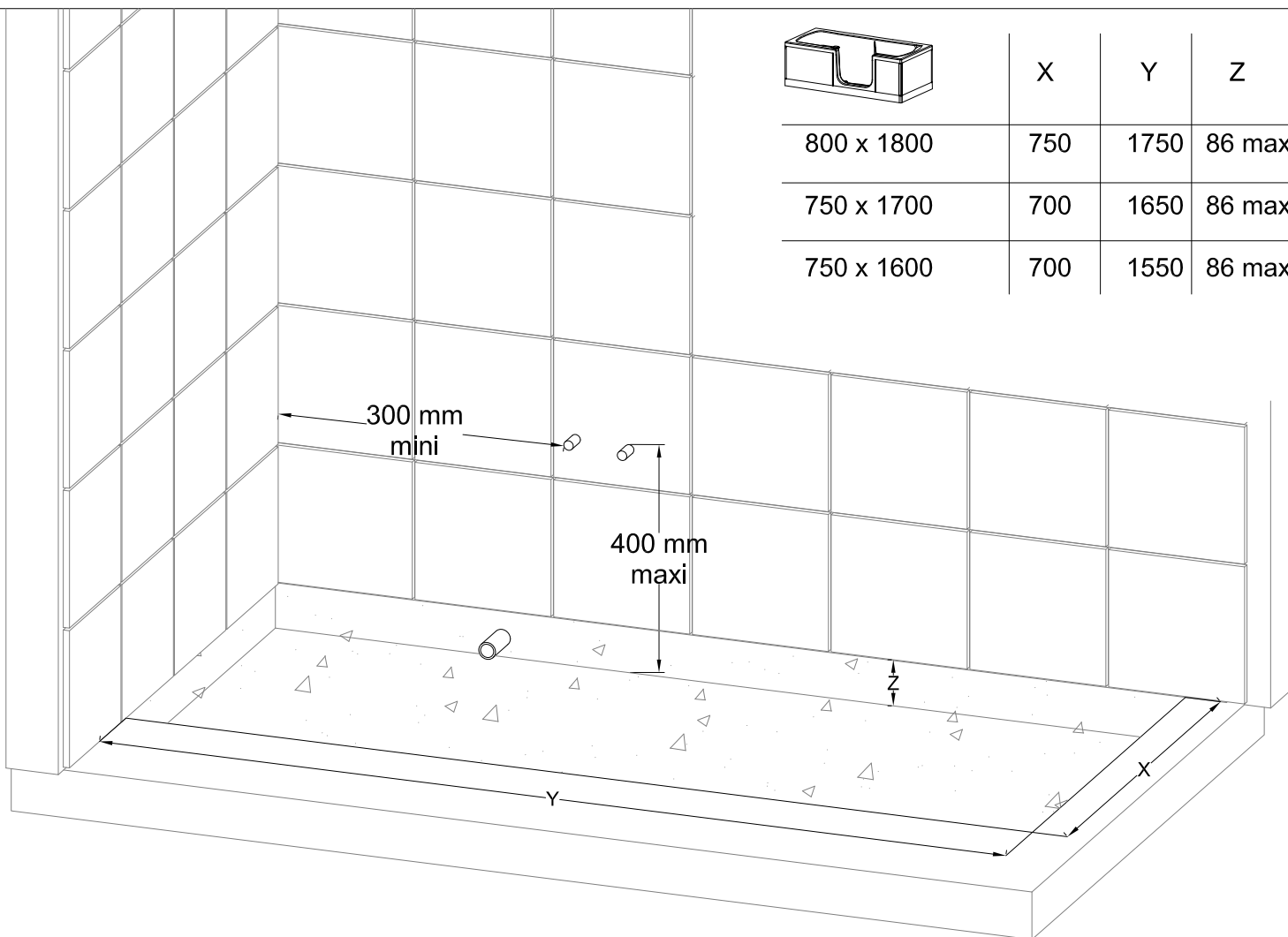
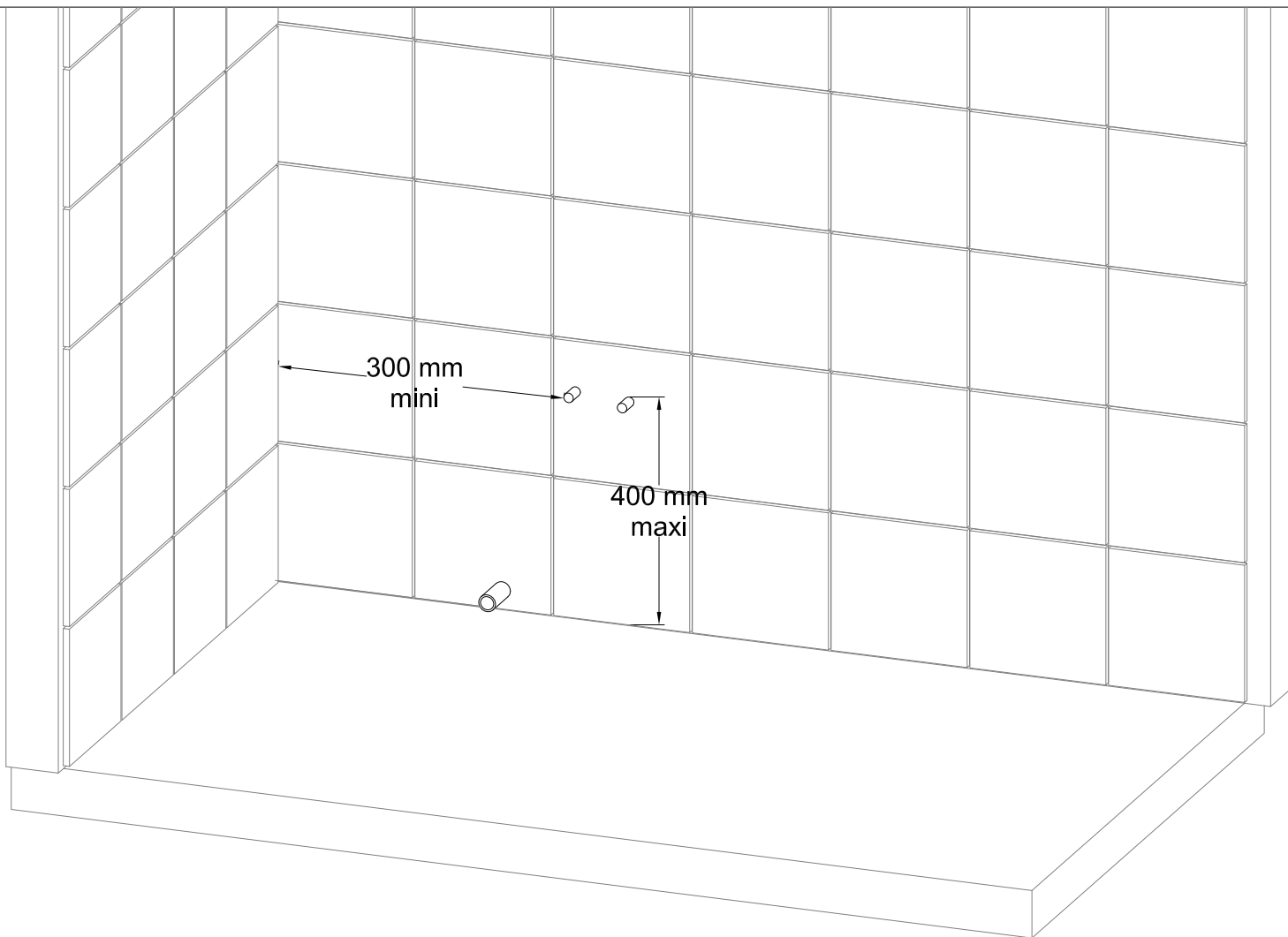


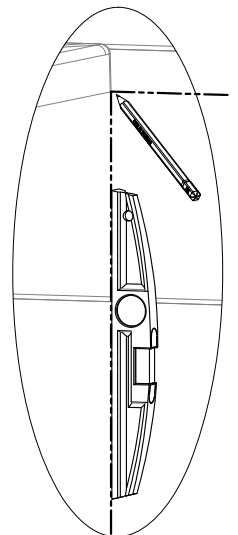
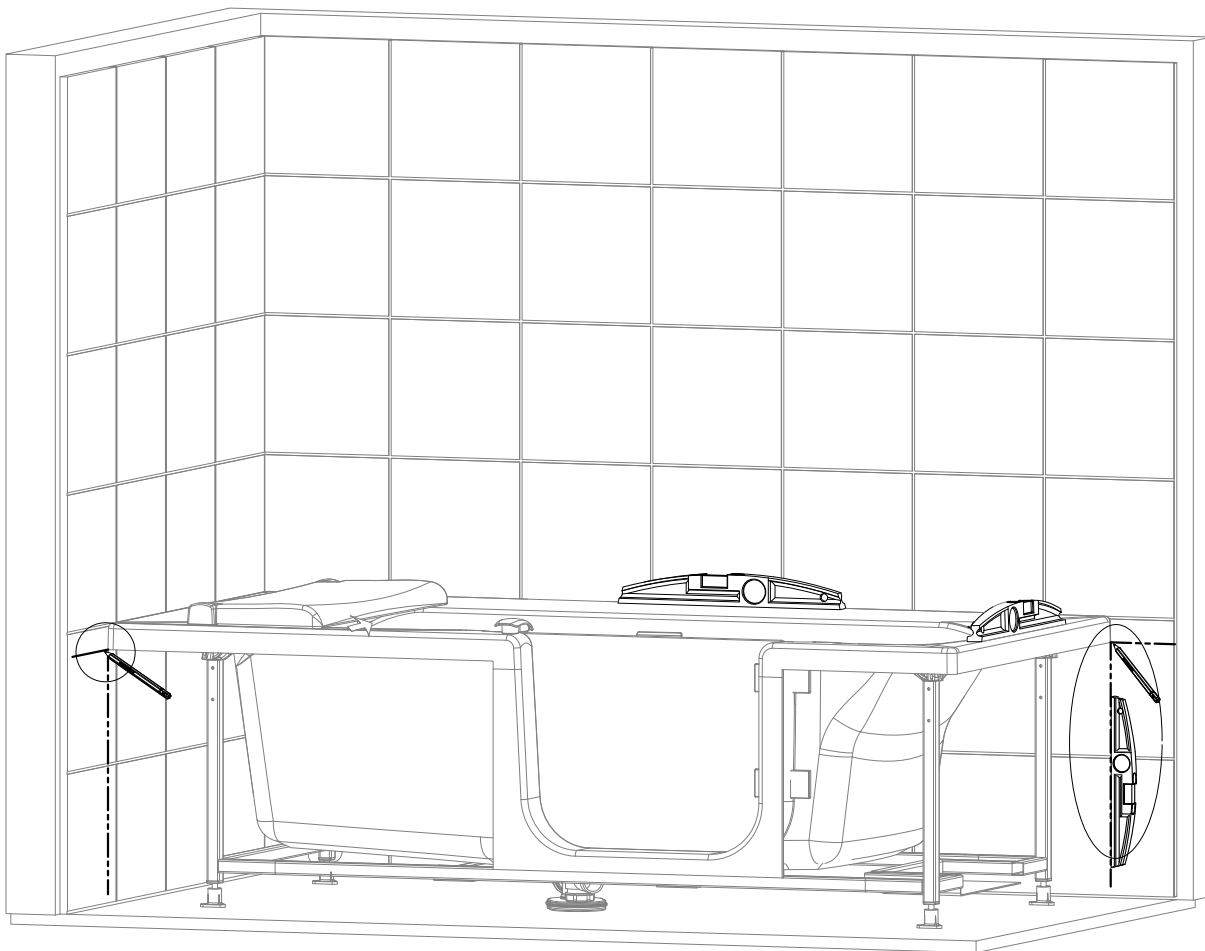
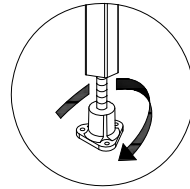
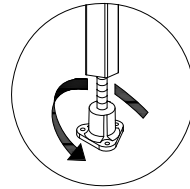
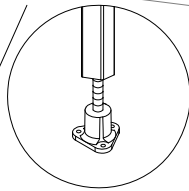
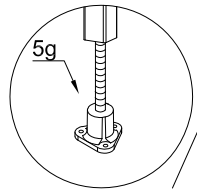
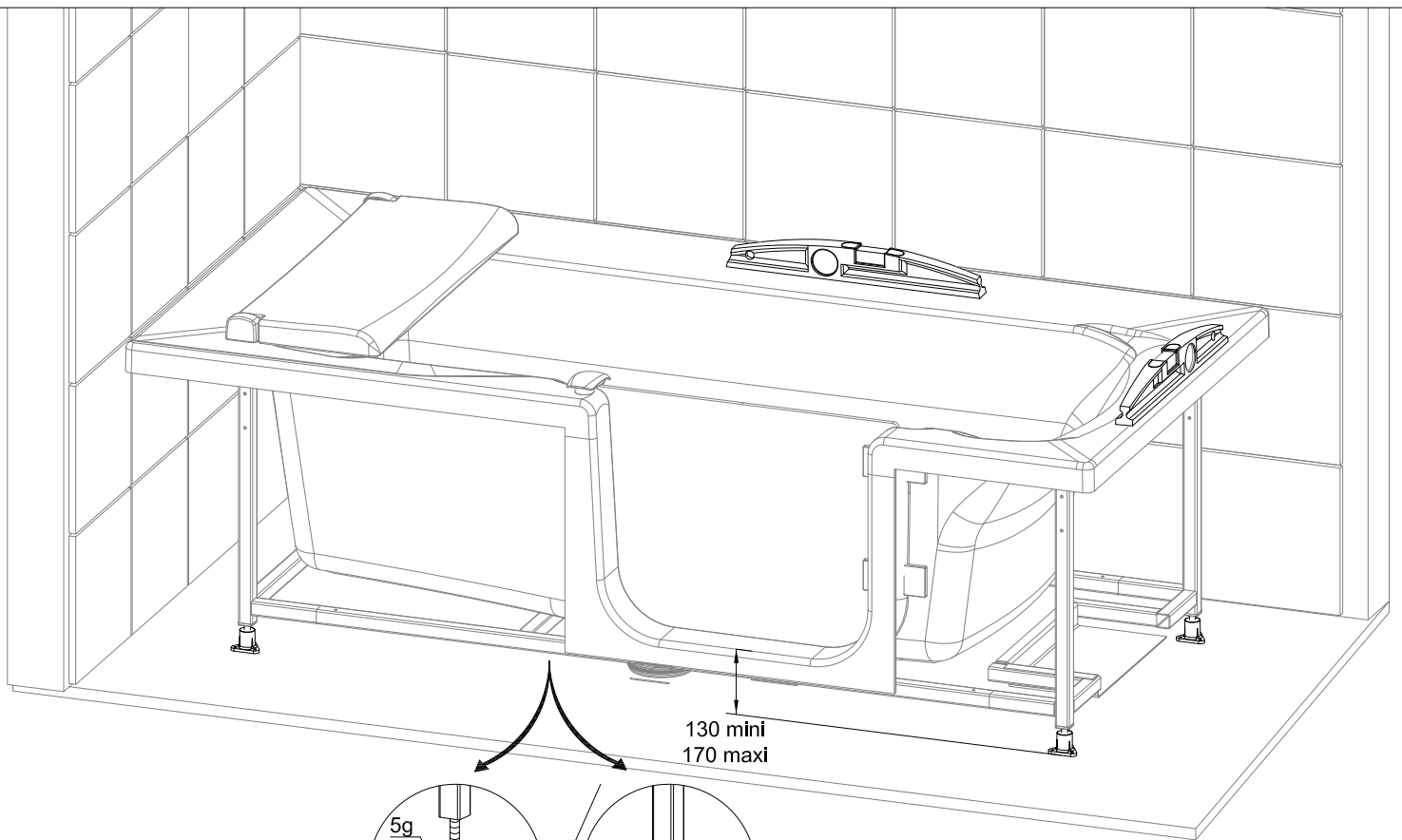


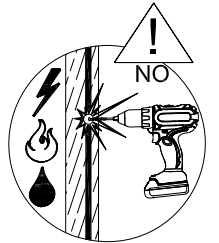
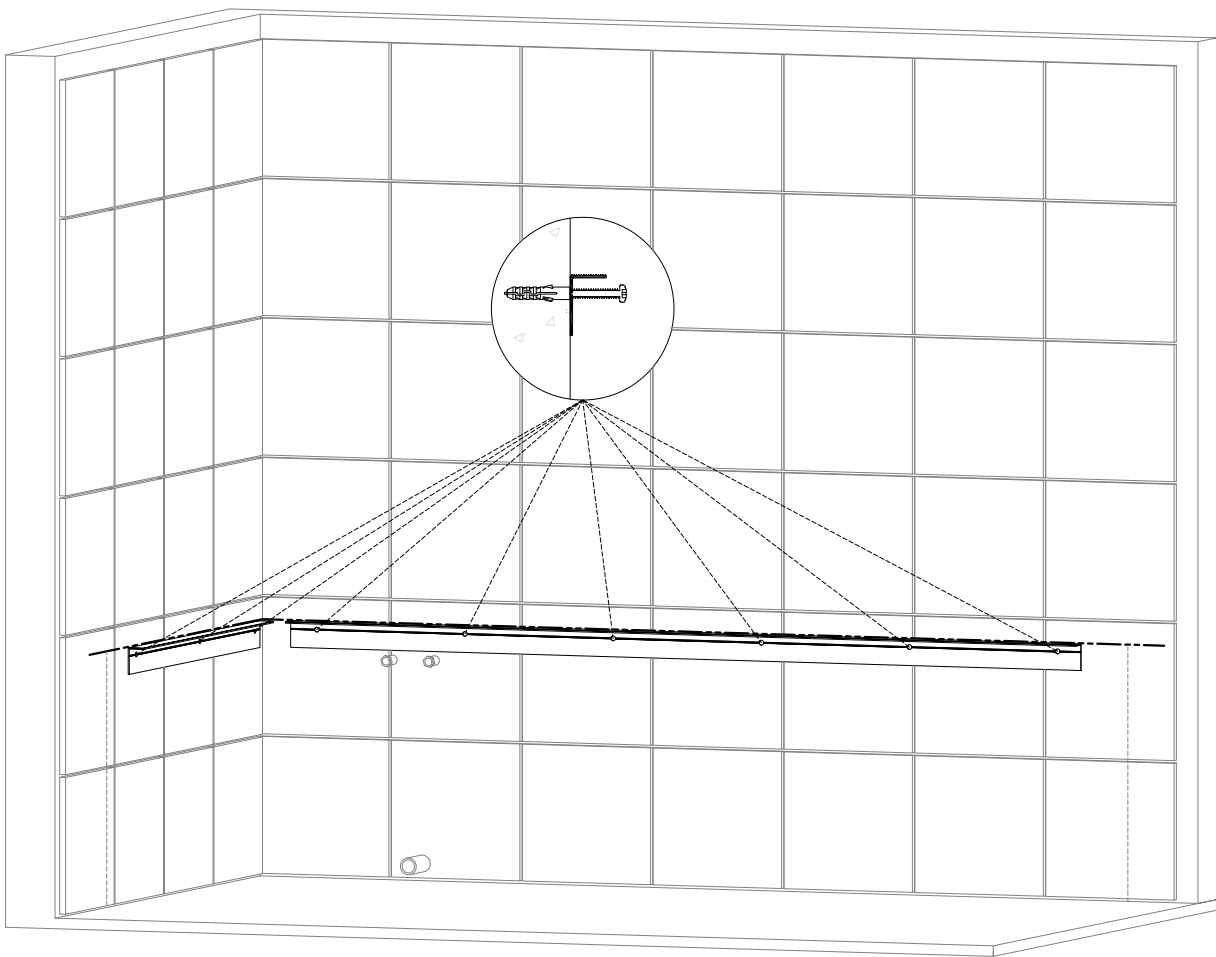
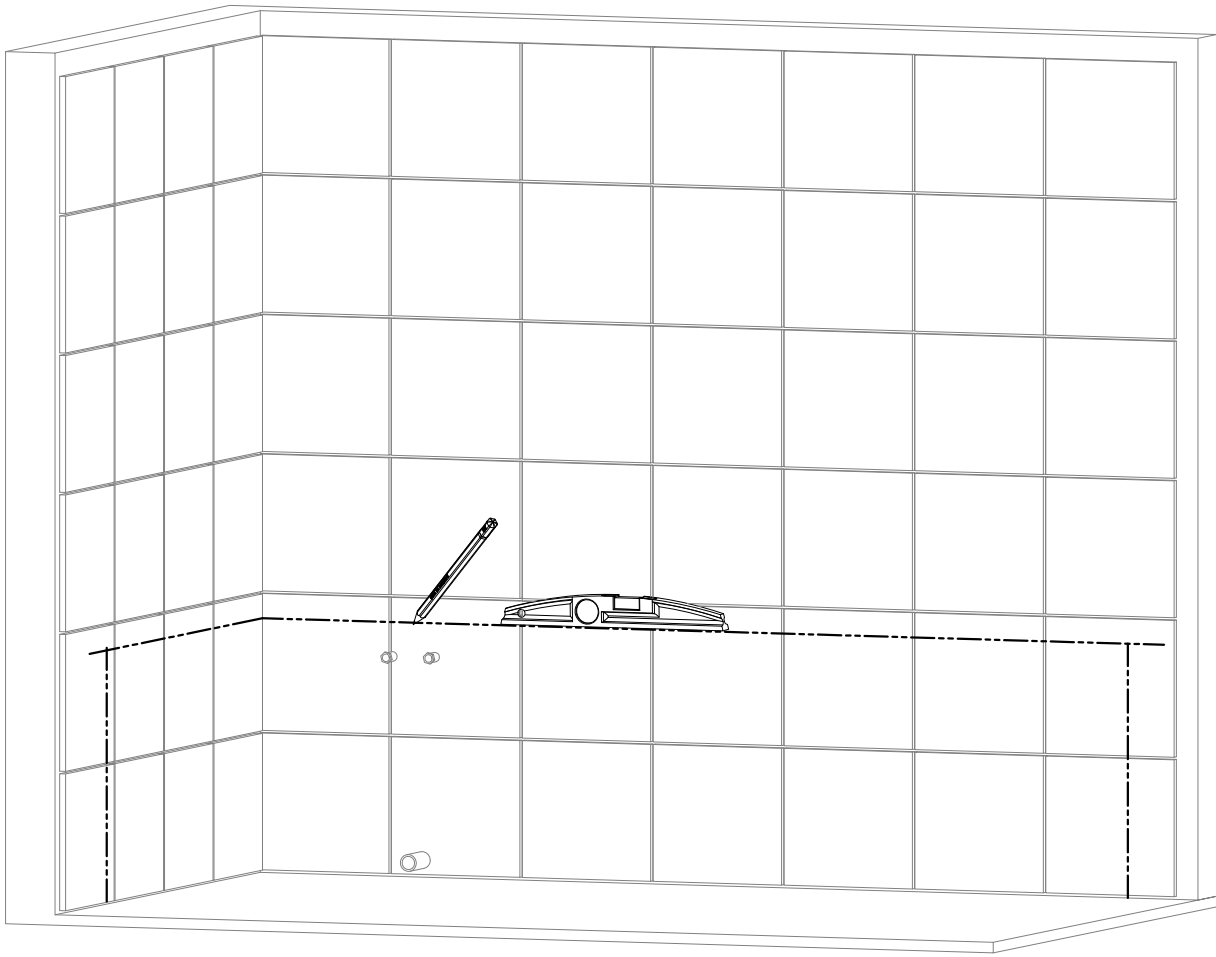


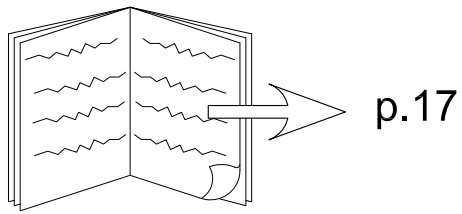
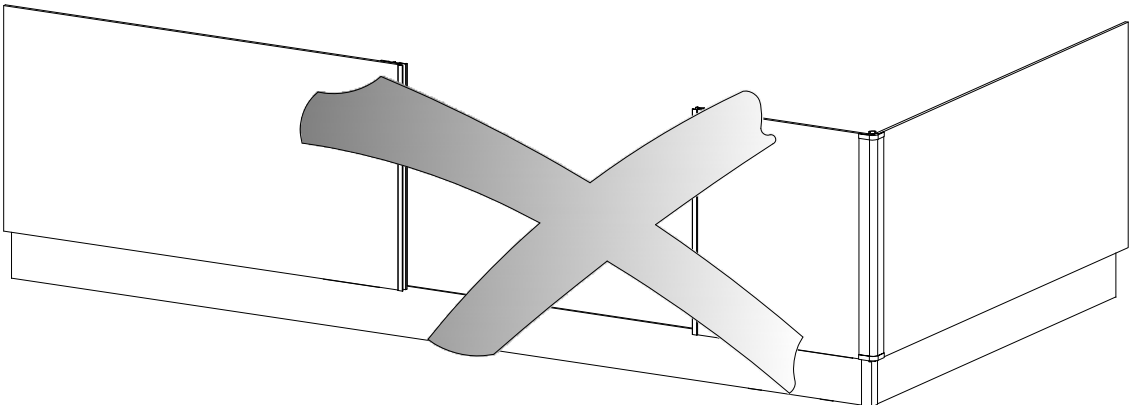
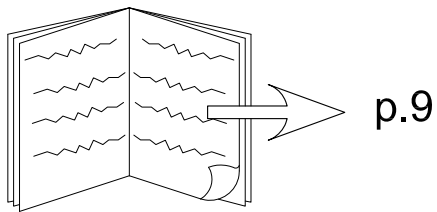
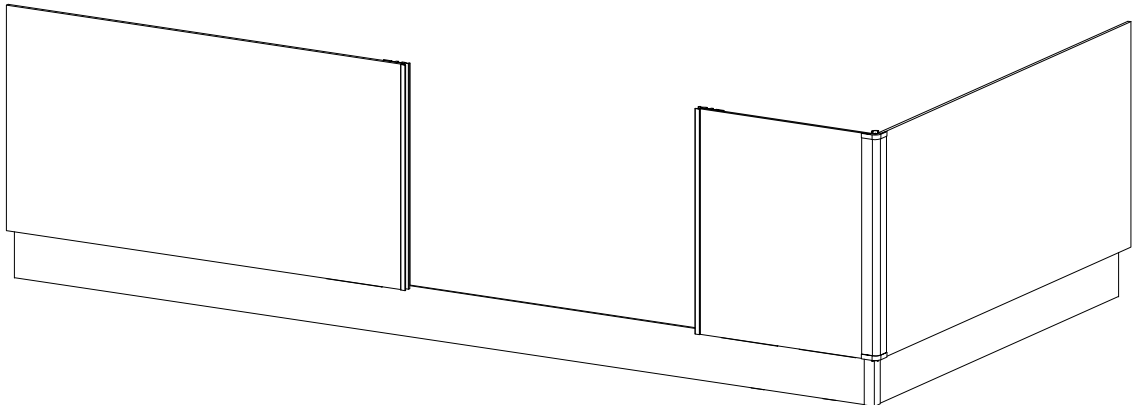
<p>5a</p> <p>x3</p>	<p>5b</p> <p>x3</p>	<p>5c</p> <p>x2</p>	<p>5d</p> <p>x2</p>	<p>5e</p> <p>x2</p>	<p>5f</p>
<p>5g</p>	<p>17a</p> <p>x2</p>	<p>17b</p> <p>x2</p>	<p>17c</p> <p>x3</p>	<p>17d</p> <p>x6</p>	<p>x6</p>

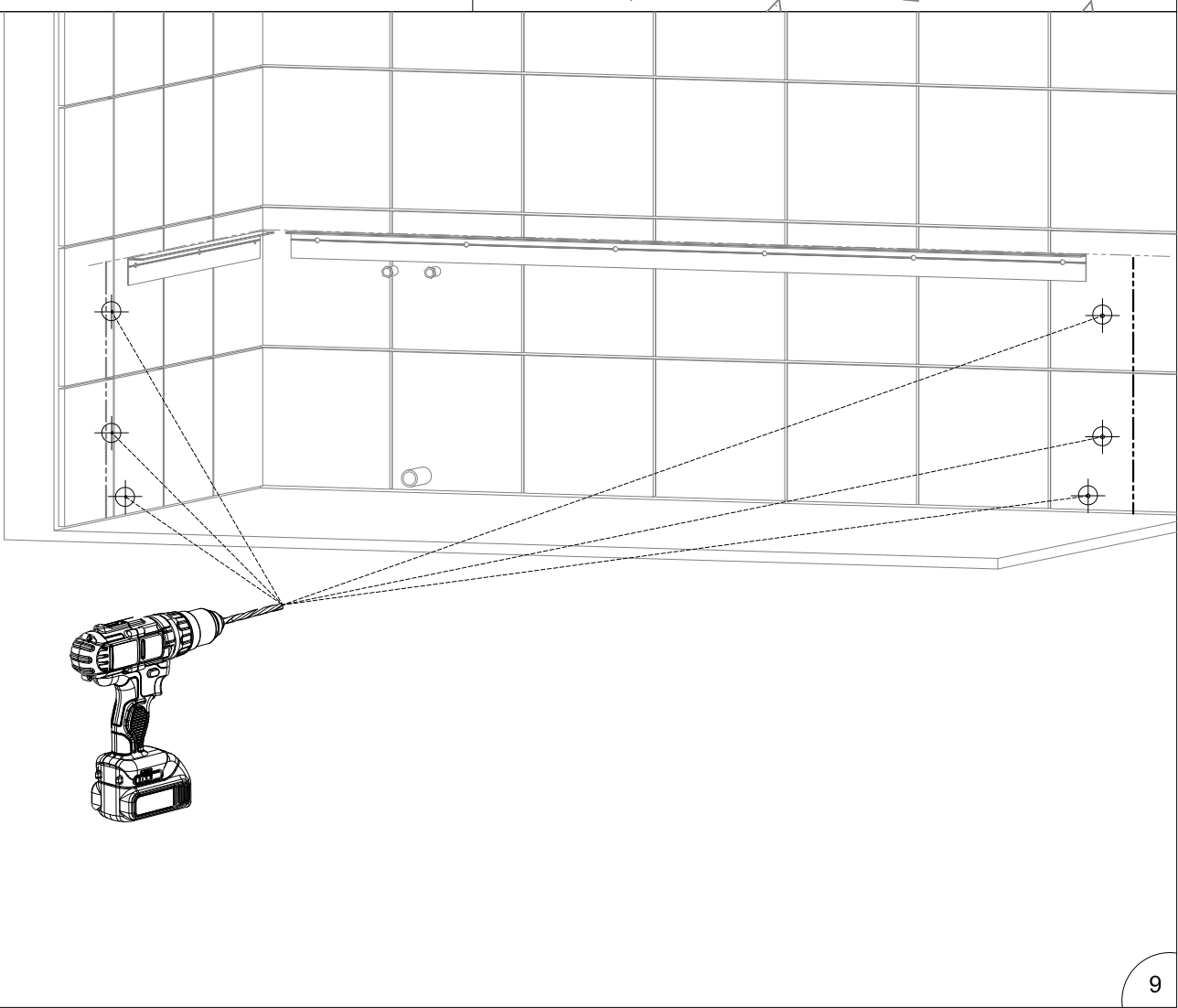
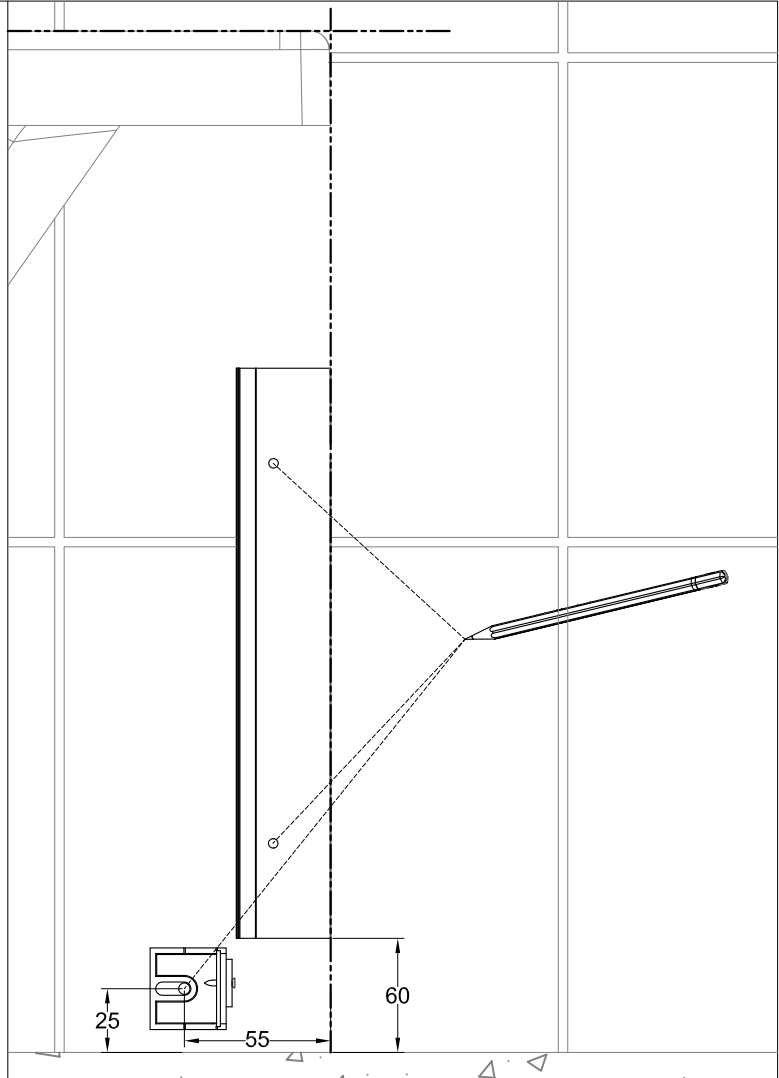
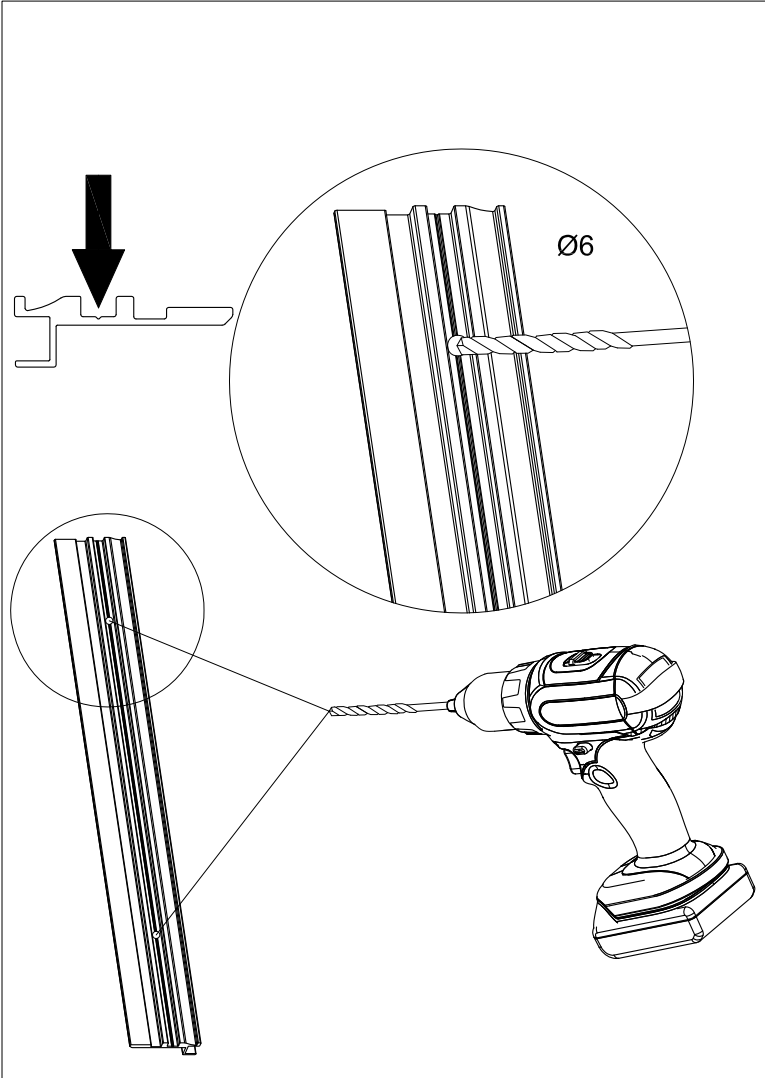


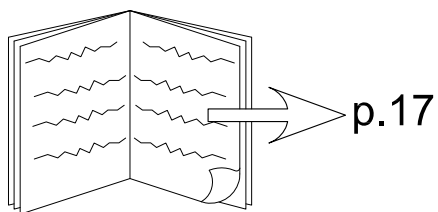
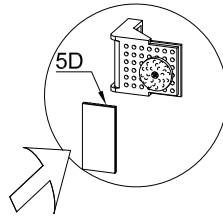
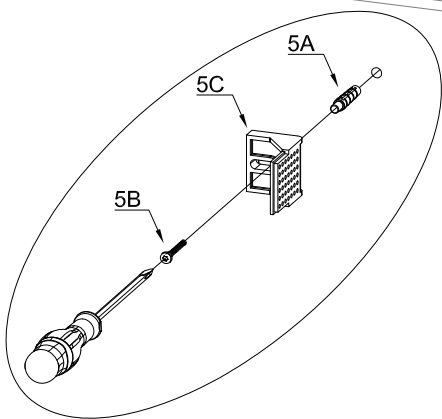
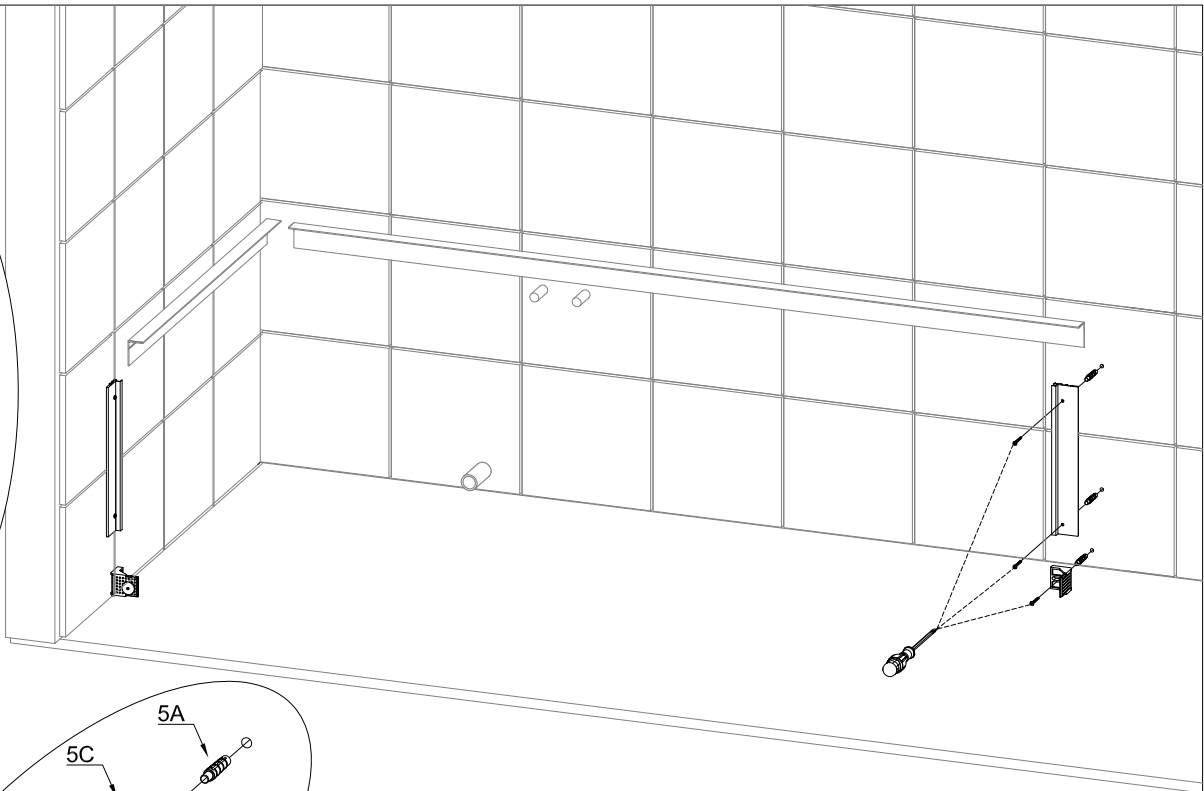
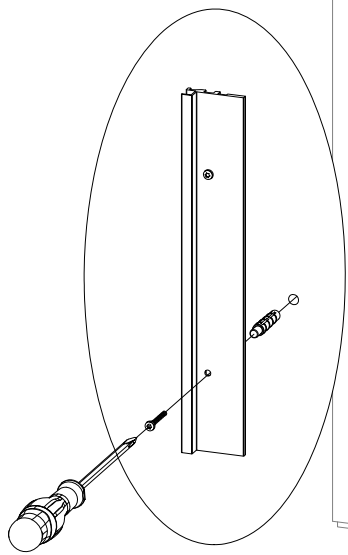


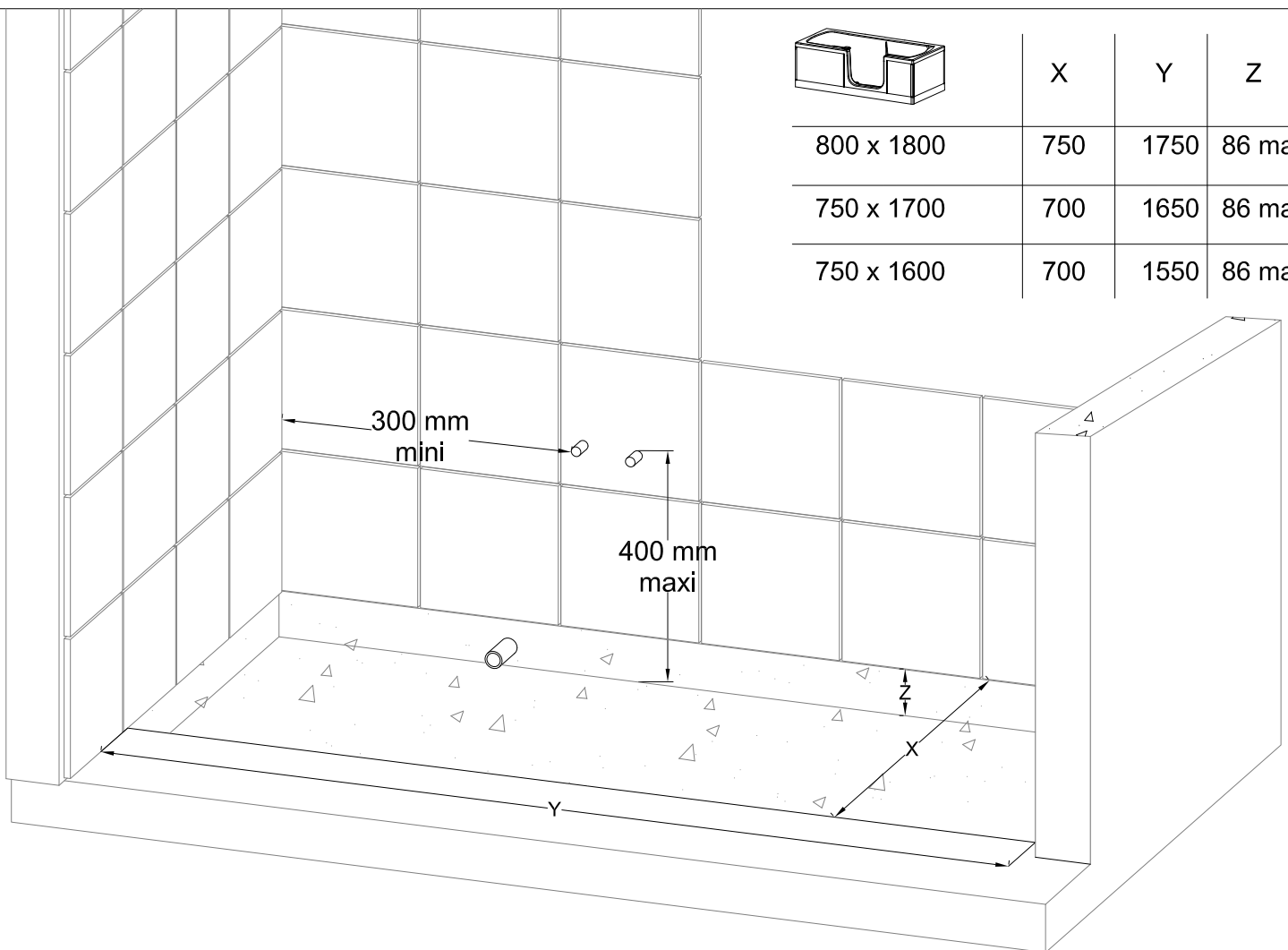
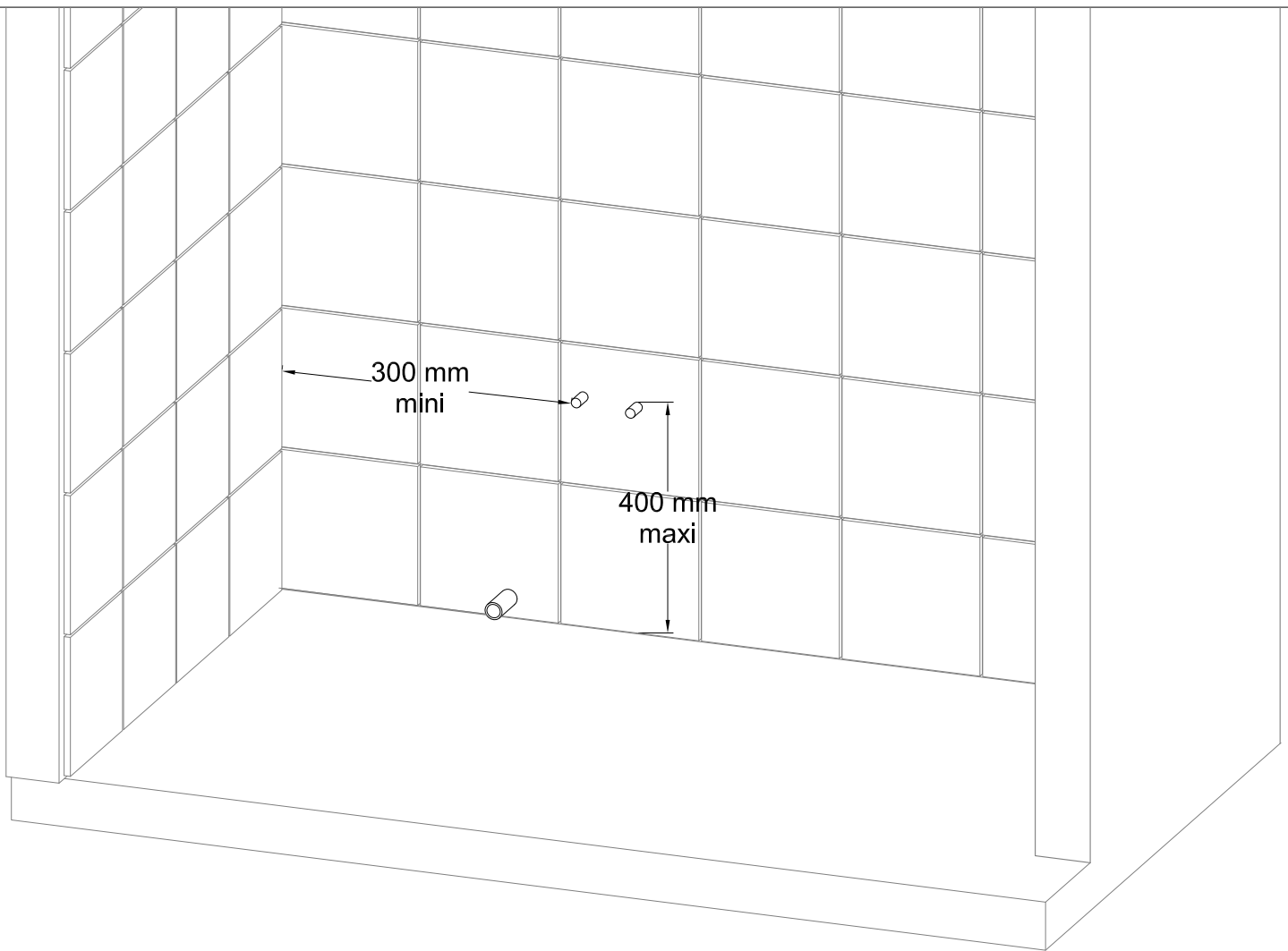


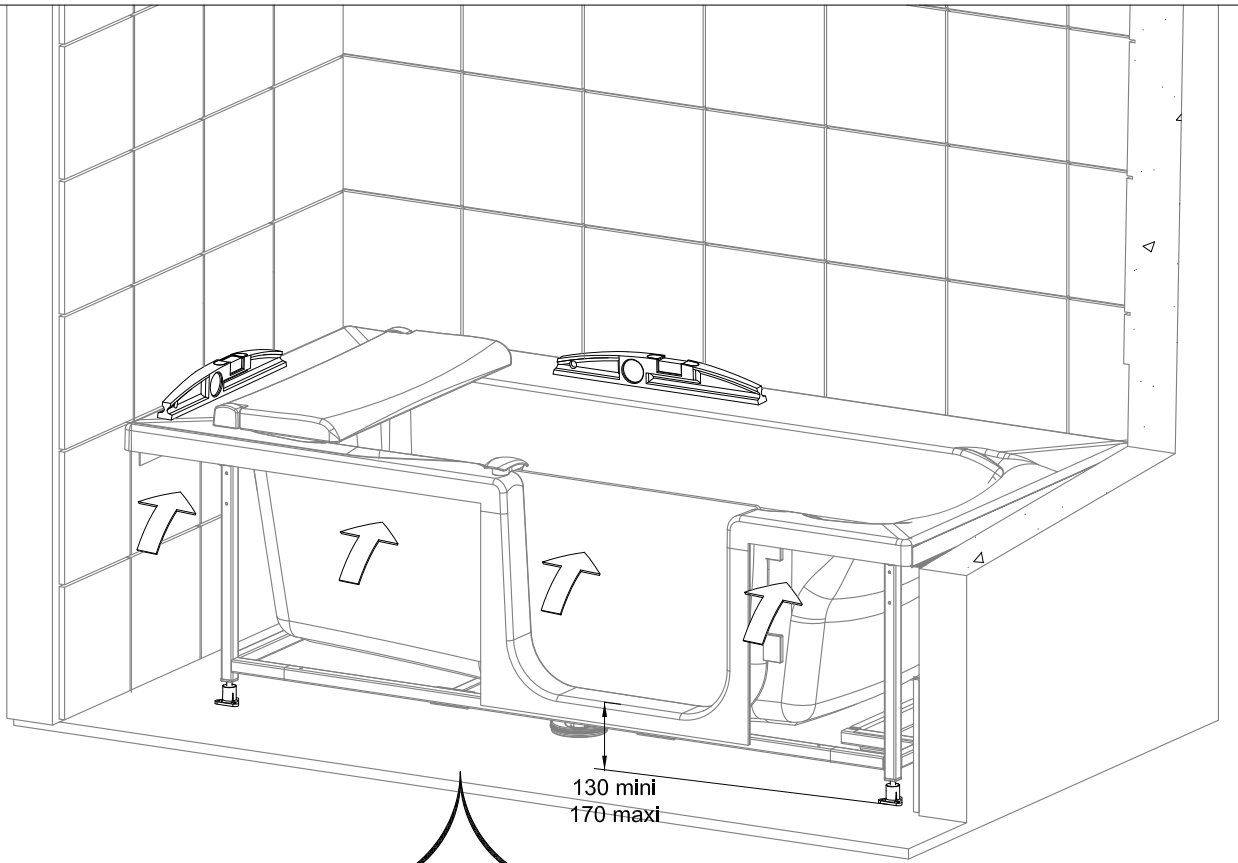
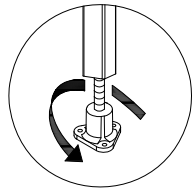
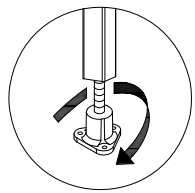




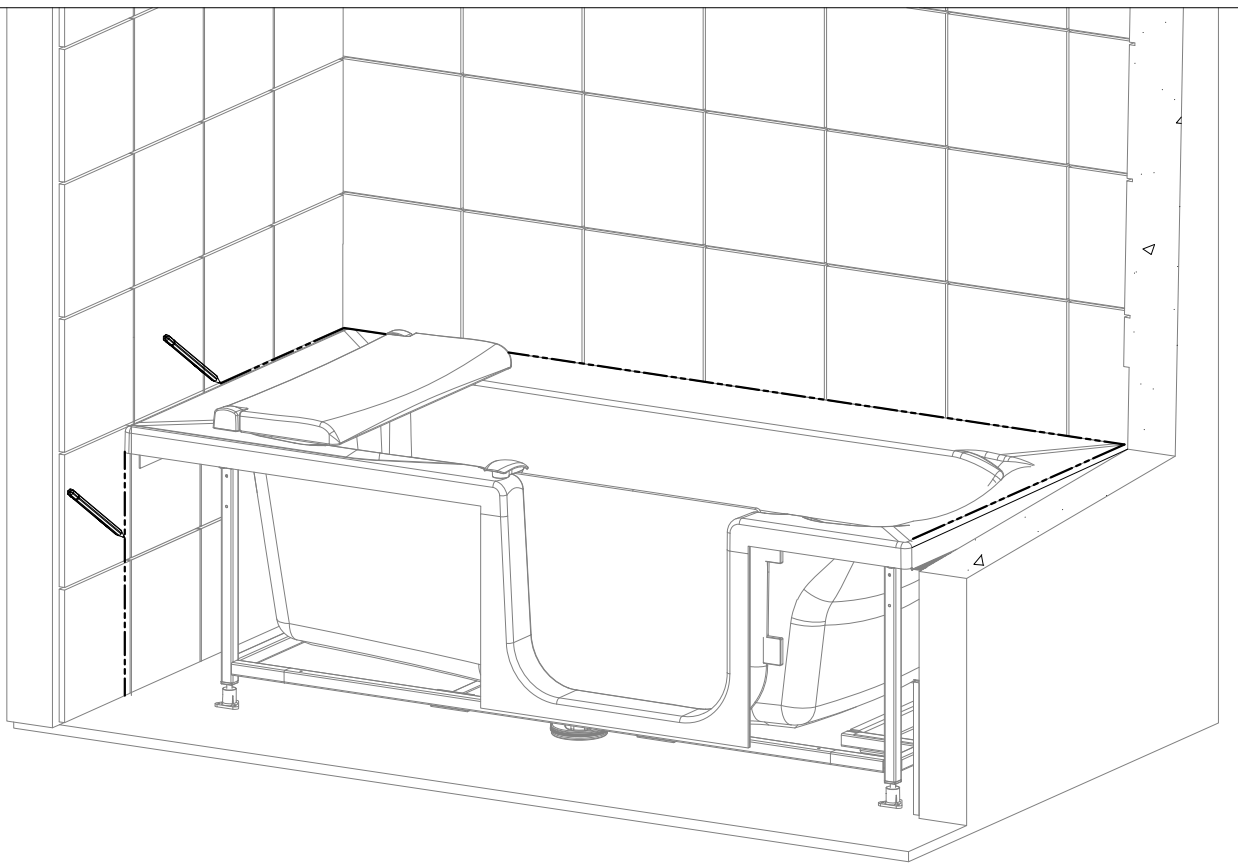
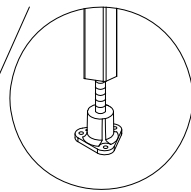
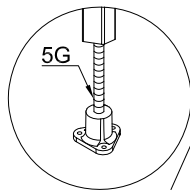


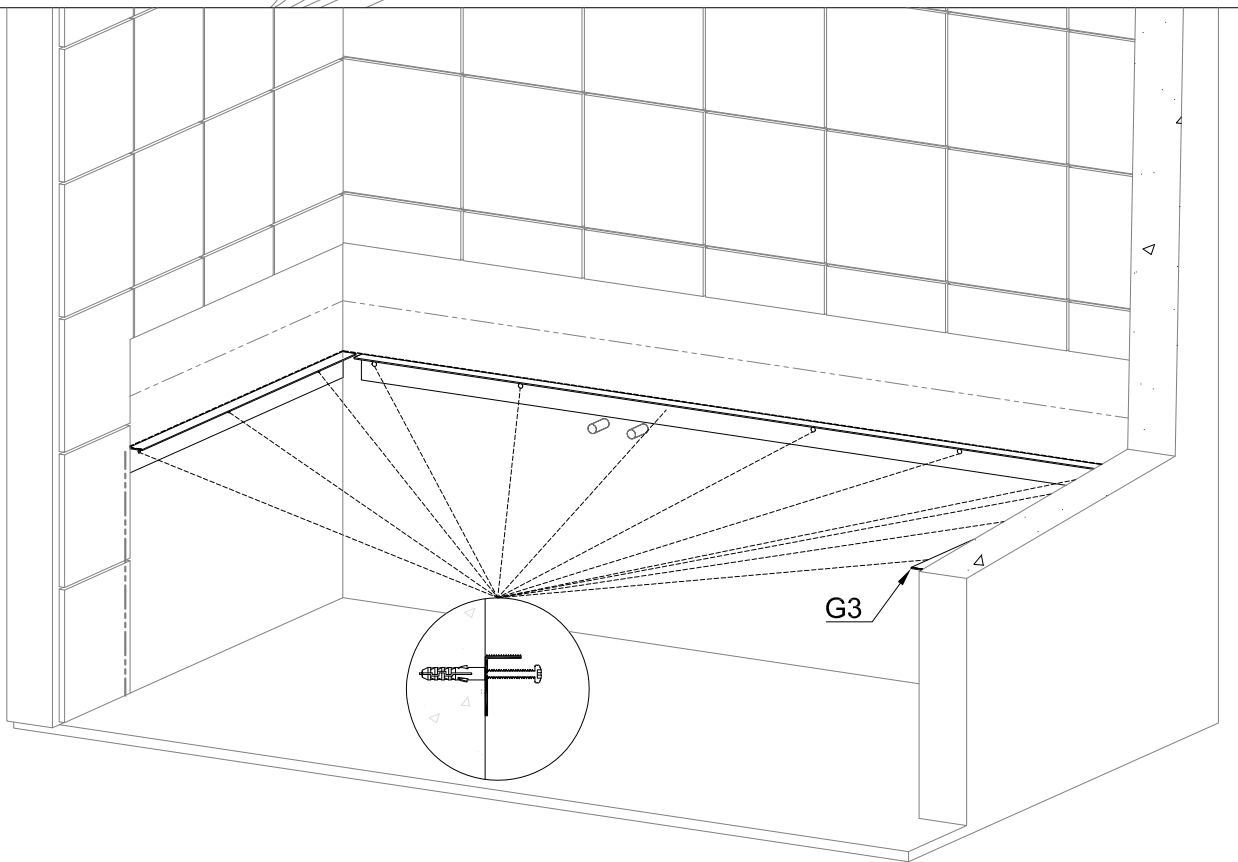
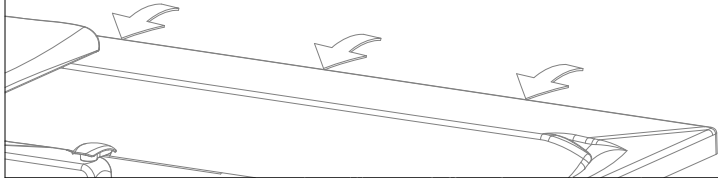
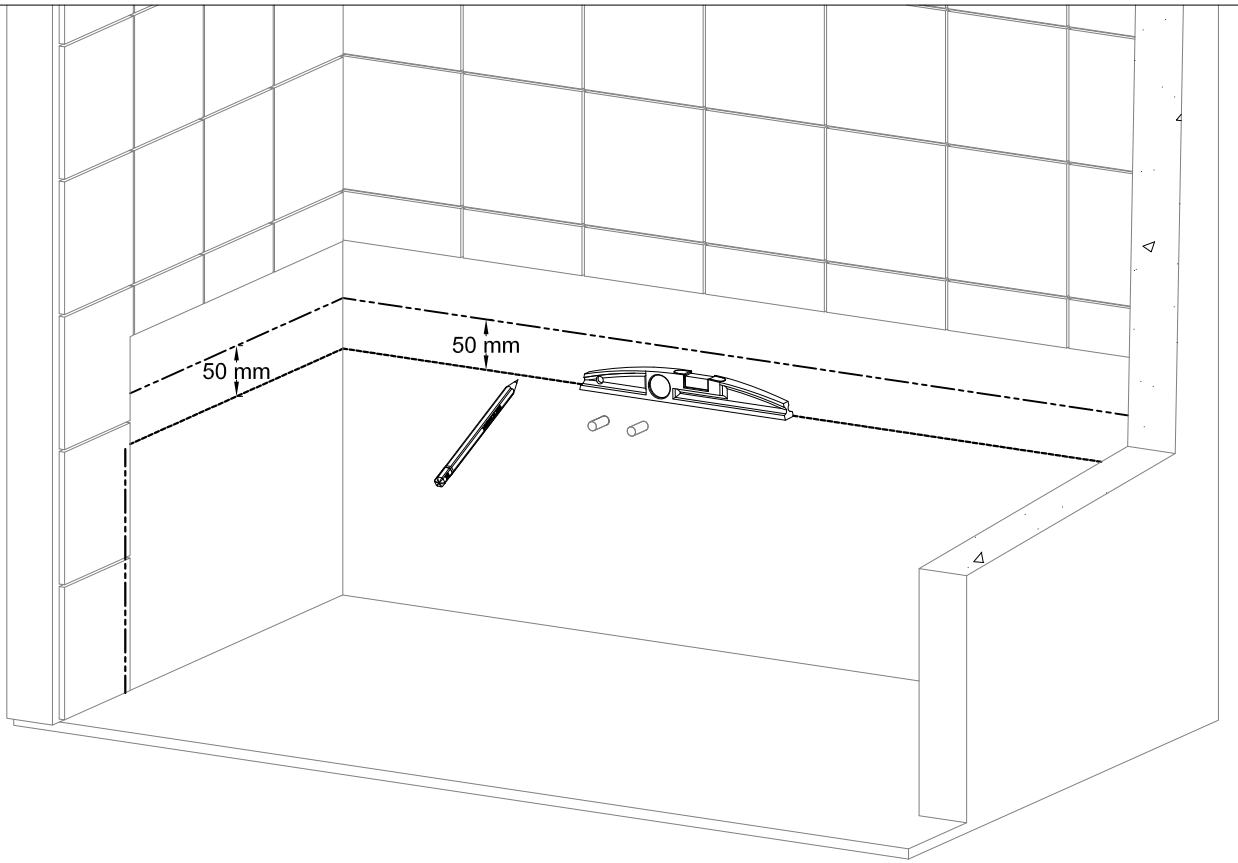
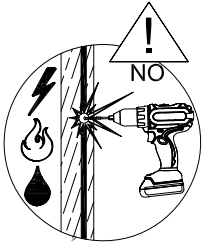


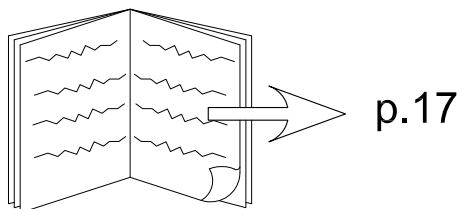
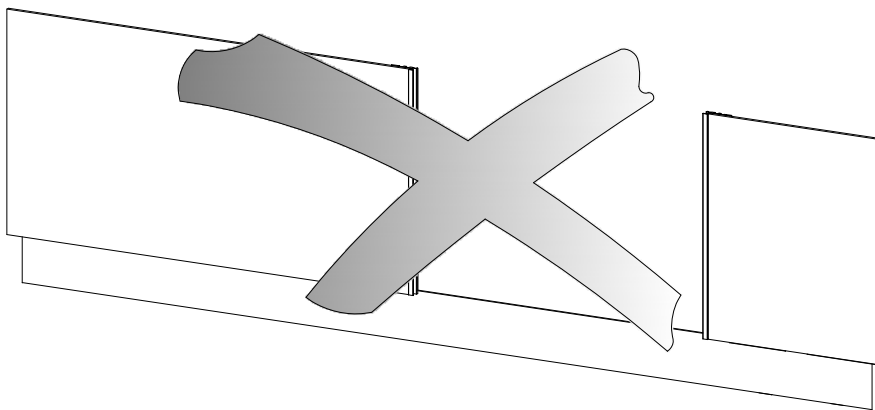
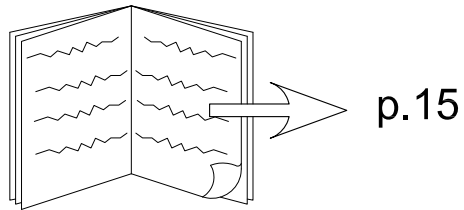
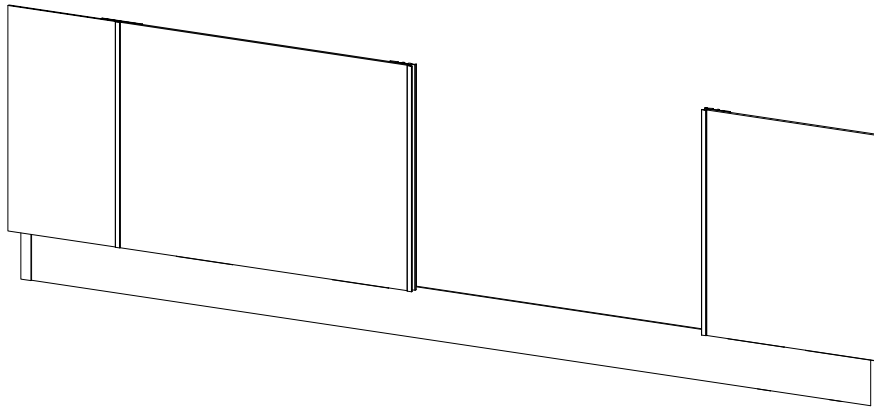


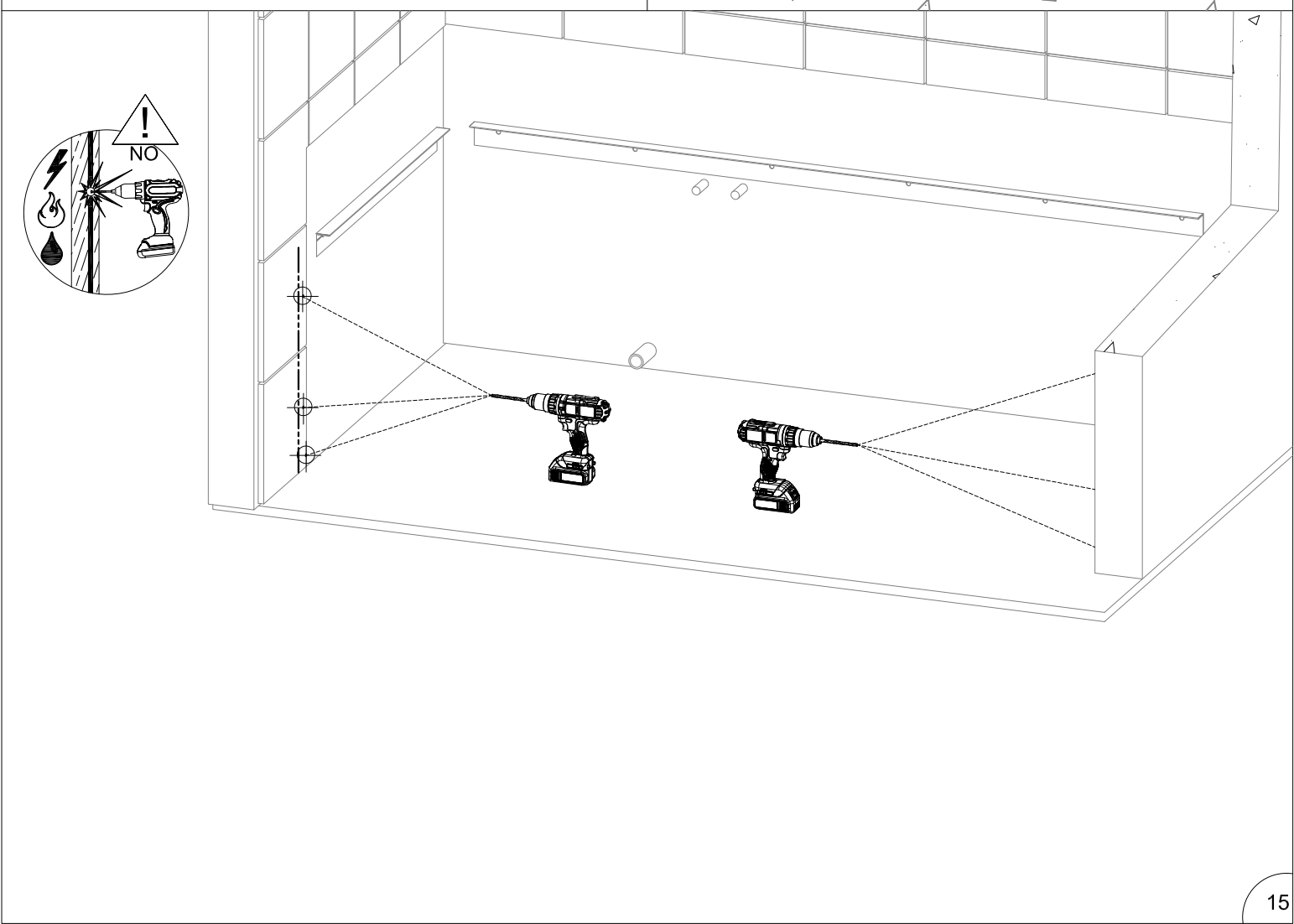
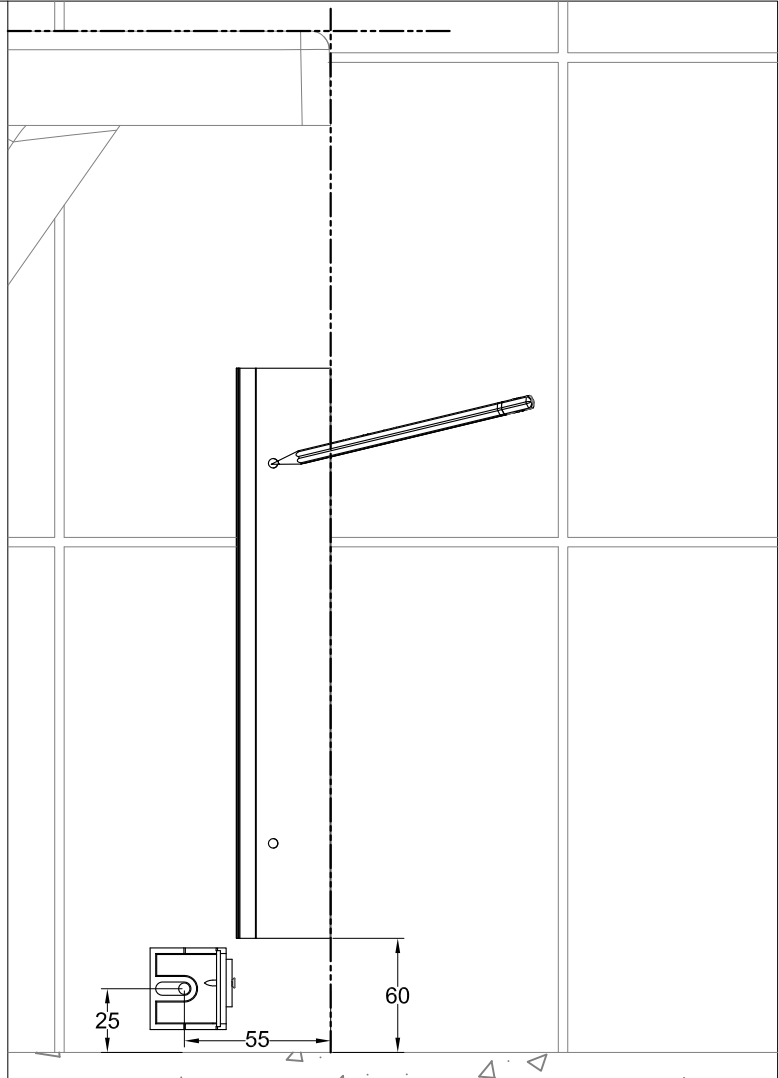
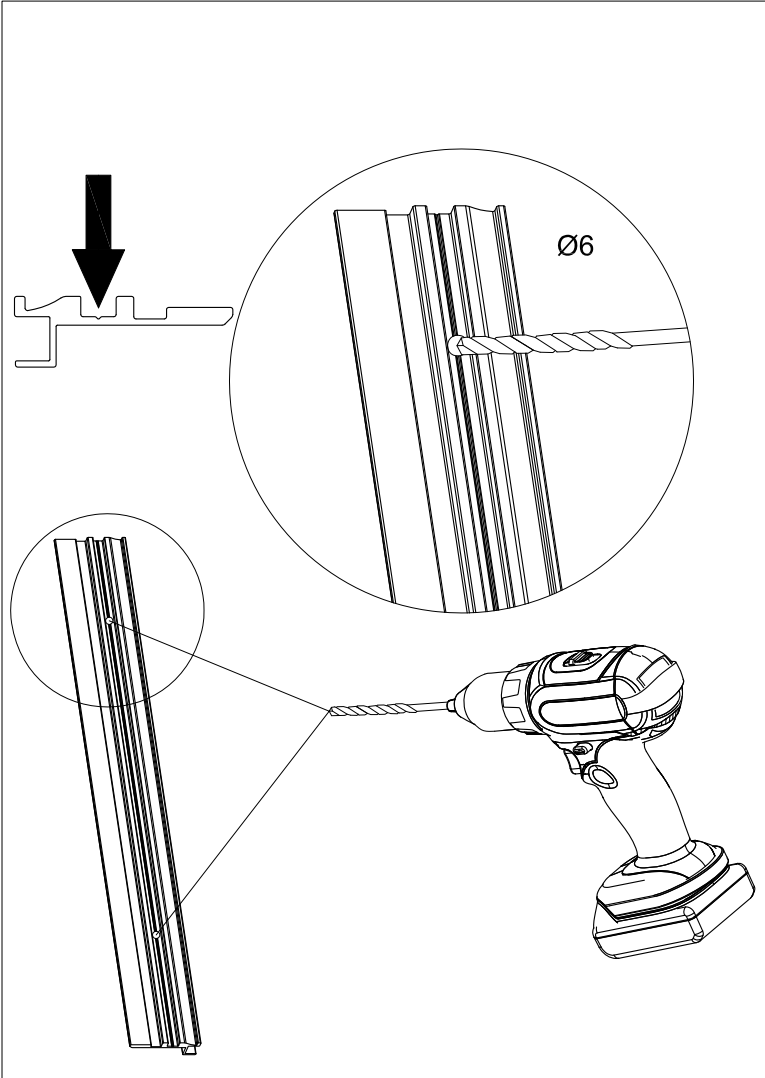


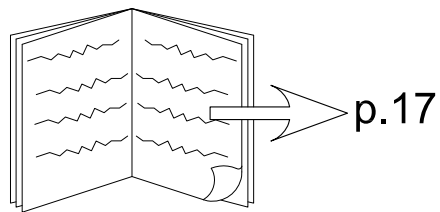
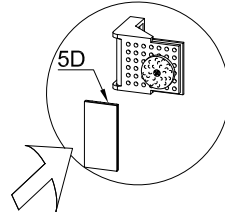
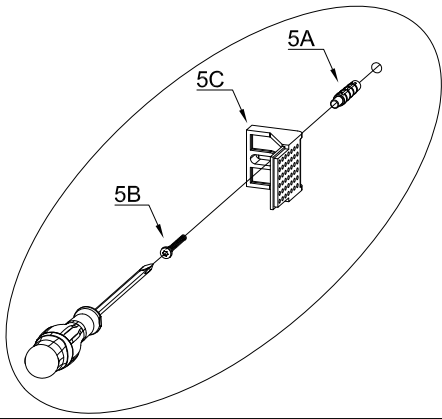
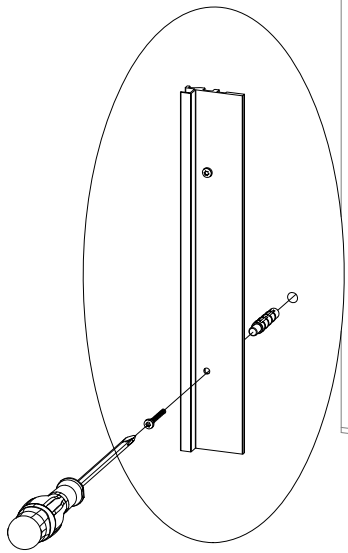
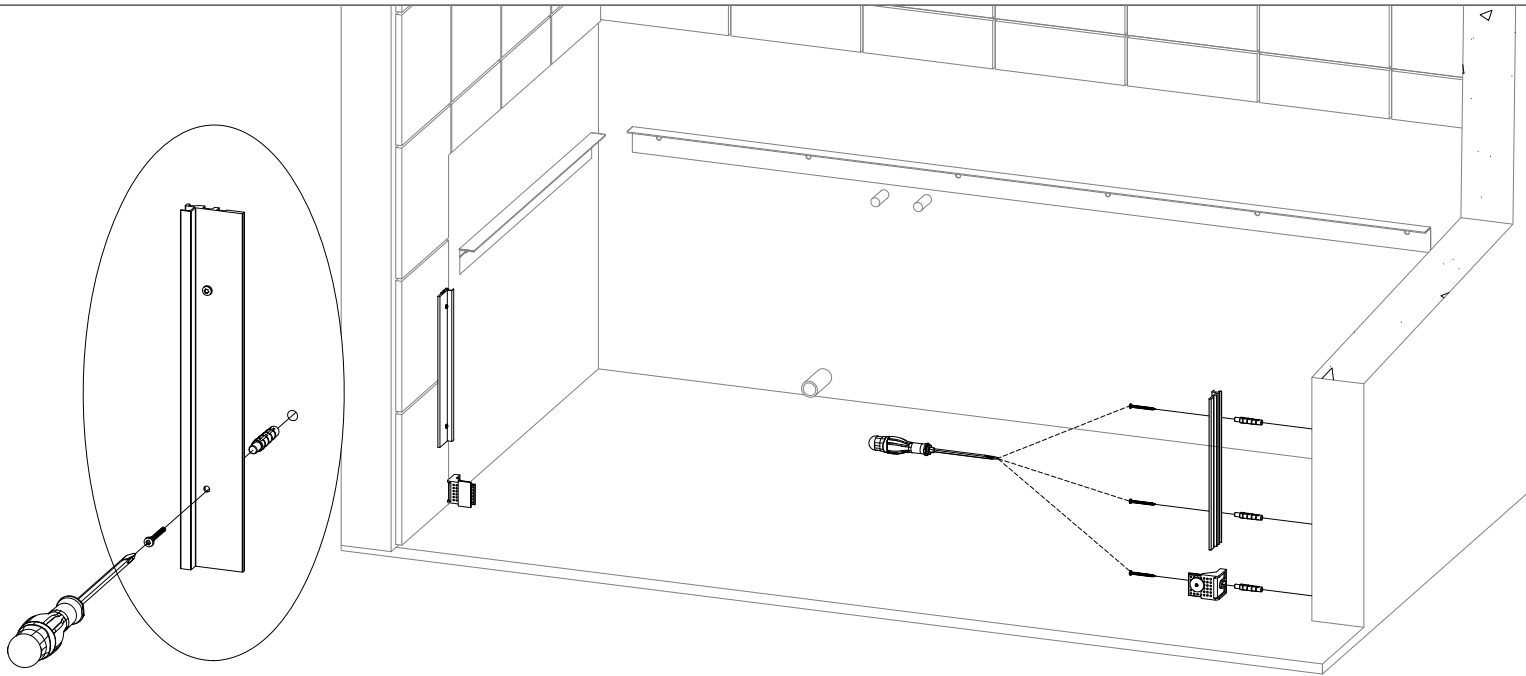
130 mini  
170 maxi

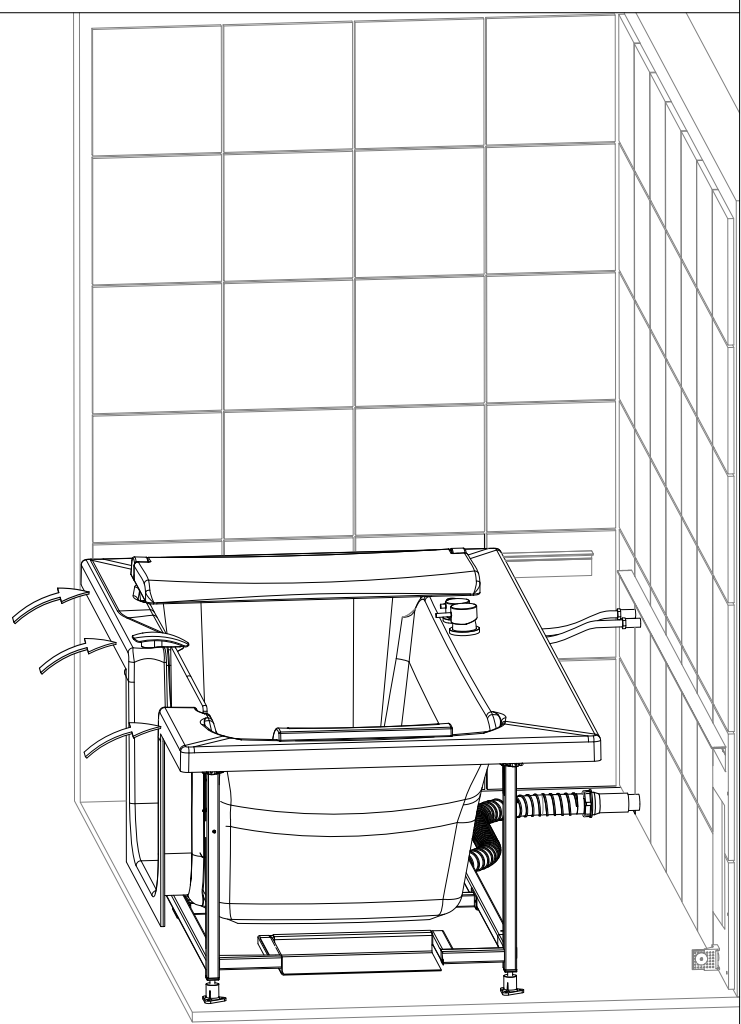
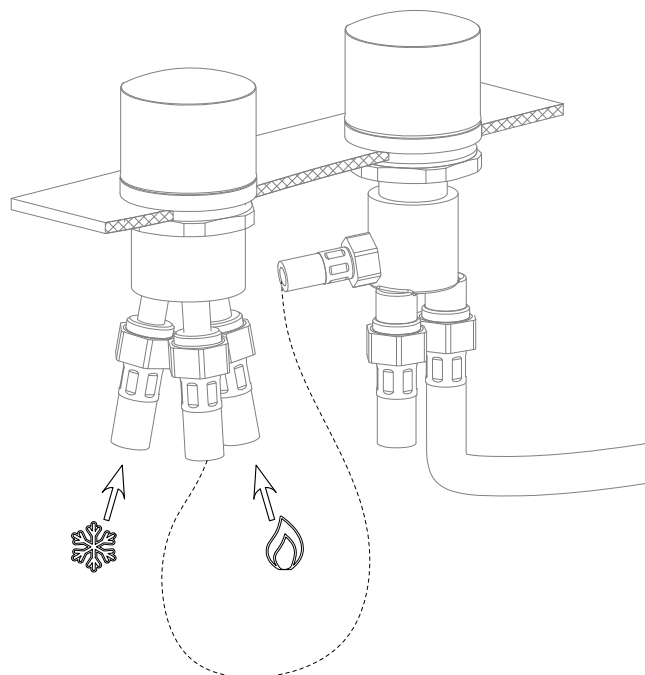
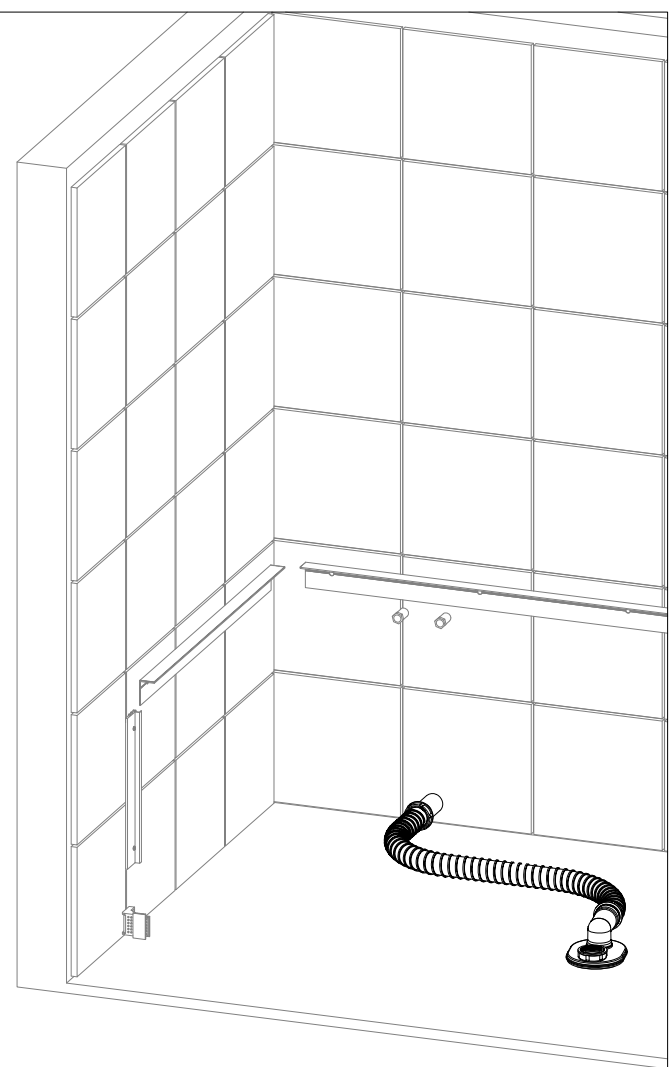
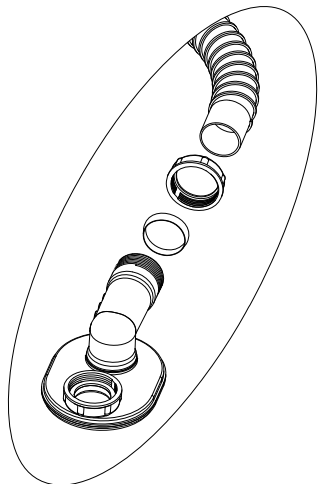
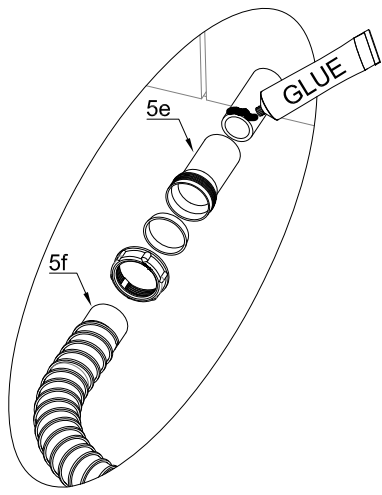


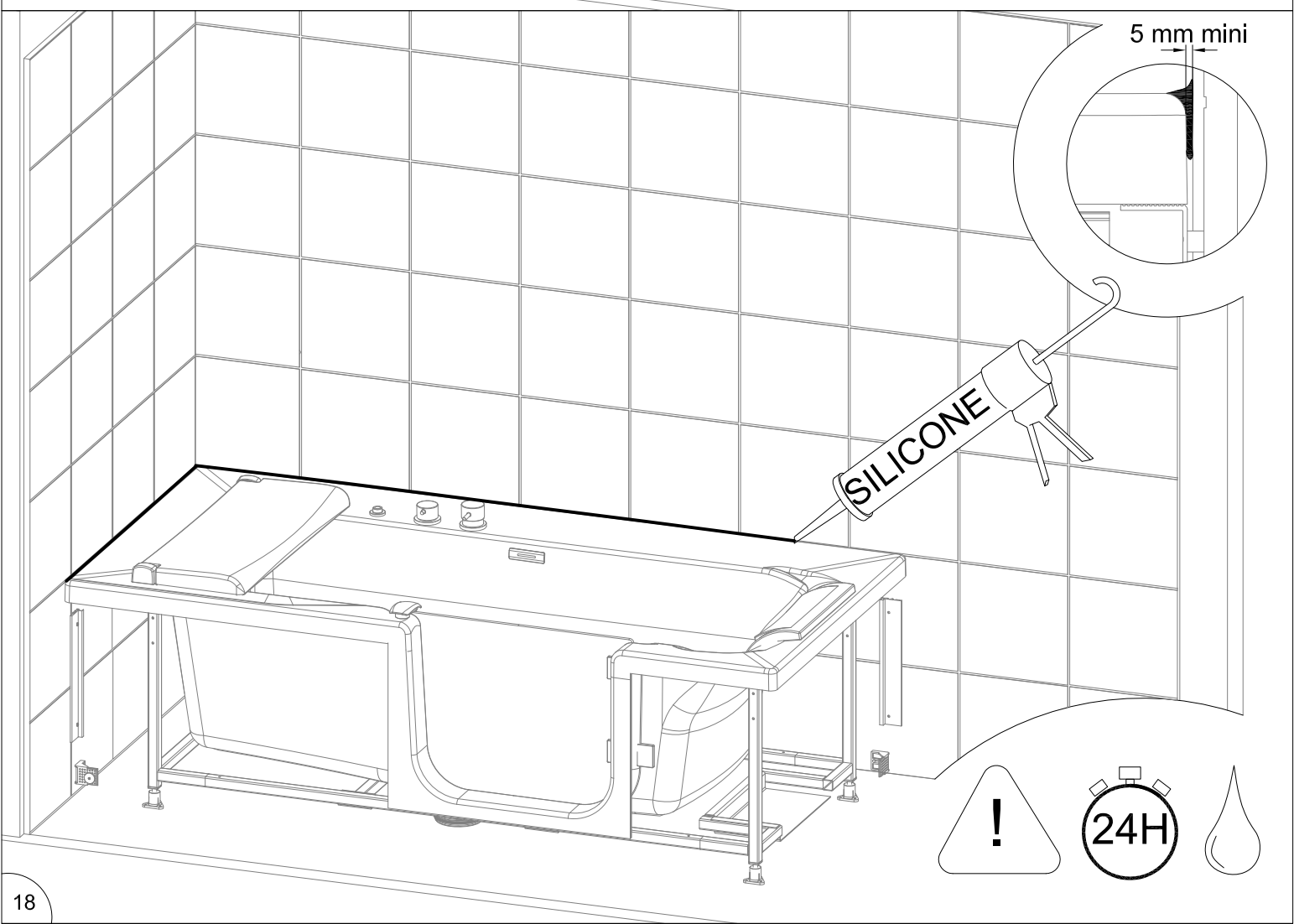
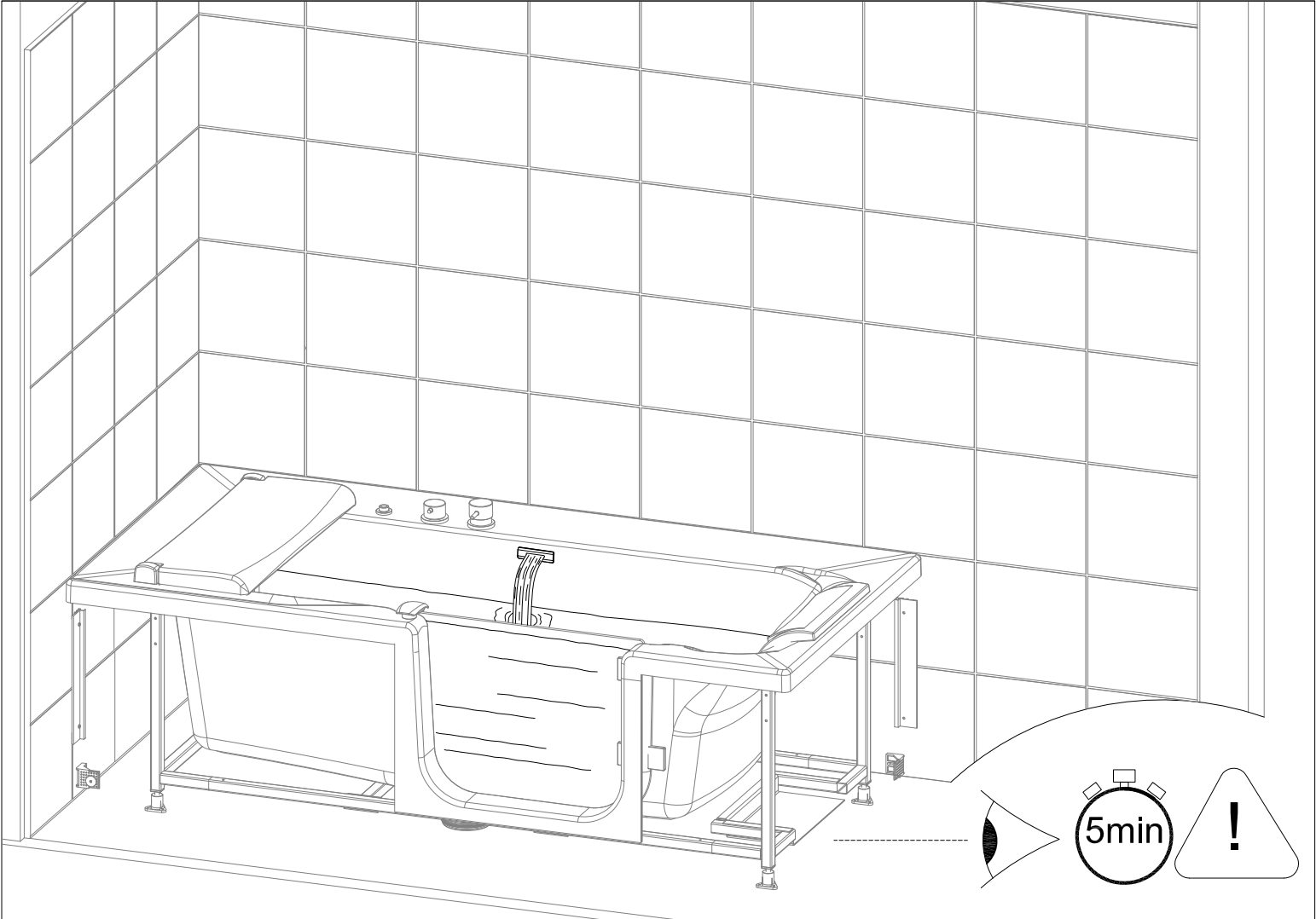
















## GUARANTEE

This product comes with a full 2 year guarantee (components and factory assembly) from the date of purchase.

This guarantee is expressly limited to the repair or replacement of components declared to be faulty and no indemnity can be claimed for any reason, including appliance break down, damages caused etc. Costs of moving, packaging, and outward and return transportation (transportation is always at the client's own risk), dismantling and reassembling or reinstalling the product are always the client's responsibility.

This guarantee does not cover the following damages or wear:

- Installation of the appliance not in accordance with the manufacturers instruction.
- Dismantling, repair or modification by the buyer or a third party other than manufacturer approved installers.
- Shock, shocks, natural disaster and storms.
- Usage that does not conform to guidelines or is ill-advised.

This guarantee enters into effect on the date written on the purchase receipt.

The receipt is necessary for any implementation of this guarantee, along with the guarantee slip and documents.

## Bathe Easy

Ramsden Mills, Britannia Road  
Huddersfield, West Yorkshire  
HD3 4QG

Technical support customer helpline  
Tel: 01484 485412  
Fax : 01484 657098