

# sola thermostatic dm surgeons mixer lever

flow straightener compliant to HTM 04-01  
removable spout suitable for autoclaving  
self draining spout with smooth internals



Deck mounted

## to specify/order:

Please use the product reference shown below.

## sola thermostatic surgeons mixer, lever, including

Deck mounted, fixed spout **SF1133CP**  
Deck mounted, detachable spout **SF1134CP**

## finish

Chrome plated CP

## approvals

BREEAM compliant  
TMV3  
WRAS Approved



## recommended operating pressure

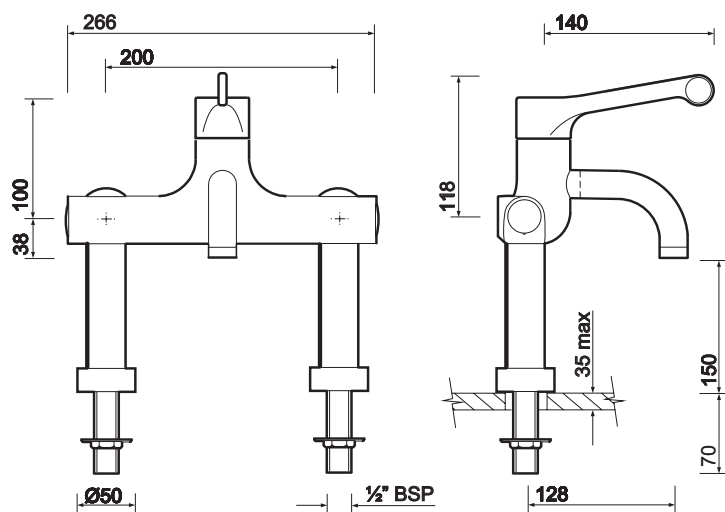
Minimum operating pressure 1 bar.  
Maximum static pressure 12 bar.  
Maximum dynamic pressure 5 bar.

## available accessories

Flushing kit **SF0115XX**  
Filter housing removal tool **SF0116XX**  
Removable spout **SF0117CP**  
Nozzle outlet **SF0118CP**

## additional features

- One piece thermostatic cartridge
- Complete with brass back nuts
- Built in pasturisation facility
- Isolation valves, check valves & filters front accessible
- Cool touch body



## Manual Surgeons Mixer SF1133/4CP

Flow Rate (Litres per minute)	1 Bar	2 Bar	3 Bar	4 Bar	5 Bar
With Flow Regulators Fitted	4.1	4.6	5.1	6	6

All measurements shown are in millimeters. Drawing sizes are not to scale.



Healthcare



Commercial

**Twyford**  
Geberit Group  
273