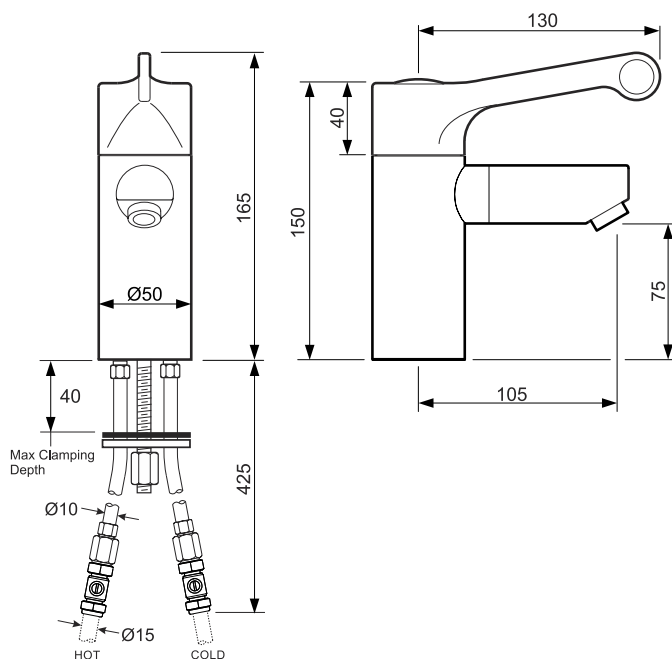


sola thermostatic basin mixer with detachable spout

cool touch
removable spout suitable for autoclaving
self-draining spout with smooth internals and open hole outlet



Sola Thermostatic Basin Mixer with Detachable Spout



to specify/order:

Please use the product reference shown below.

thermostatic basin mixer tap

Single lever sequential
thermostatic basin mixer tap:
Including copper tails and
service valves

SF1139CP

finish

Chrome plated CP.

approvals

BREEAM compliant.
TMV3 Approved.
HBN 00-10 C, code TP6, HBN-04-01-A



recommended operating pressure

Maximum inlet pressure Static	12bar
Maximum Recommended operating pressure	5bar
Minimum Operating Pressure	0.2bar
Maximum Inlet temperature	85°C
Minimum Inlet Temperature	10°C
Maximum un-balanced pressure ratio (without flow regulator)	5:1
Maximum Un-balance pressure ratio (with flow regulator)	15:1
*Minimum Temperature differential	10°C
Pre-set Factory Outlet Temperature	38°C
*Temperature difference between inlet temperature (Hot or Cold) and outlet temperature to ensure failsafe operation.	

Sola Thermostatic Basin Mixer with Detachable Spout - SF1139CP						
Flow Rate (Litres per minute)	0.5 Bar	1 Bar	2 Bar	3 Bar	4 Bar	5 Bar
With Flow Regulators Fitted	2.7	2.9	3.5	3.9	4.3	4.4

All measurements shown are in millimetres. Drawing sizes are not to scale.



Hotels



Healthcare



Education



Commercial



Less Able

Twyford
Geberit Group

233